

Kinetix 5500 Servo Drives

Catalog Numbers 2198-H003-ERS, 2198-H008-ERS, 2198-H015-ERS, 2198-H025-ERS, 2198-H040-ERS, 2198-H070-ERS
2198-H003-ERS2, 2198-H008-ERS2, 2198-H015-ERS2, 2198-H025-ERS2, 2198-H040-ERS2, 2198-H070-ERS2,
2198-CAPMOD-1300



Important User Information

Read this document and the documents listed in the additional resources section about installation, configuration, and operation of this equipment before you install, configure, operate, or maintain this product. Users are required to familiarize themselves with installation and wiring instructions in addition to requirements of all applicable codes, laws, and standards.

Activities including installation, adjustments, putting into service, use, assembly, disassembly, and maintenance are required to be carried out by suitably trained personnel in accordance with applicable code of practice.

If this equipment is used in a manner not specified by the manufacturer, the protection provided by the equipment may be impaired.

In no event will Rockwell Automation, Inc. be responsible or liable for indirect or consequential damages resulting from the use or application of this equipment.

The examples and diagrams in this manual are included solely for illustrative purposes. Because of the many variables and requirements associated with any particular installation, Rockwell Automation, Inc. cannot assume responsibility or liability for actual use based on the examples and diagrams.

No patent liability is assumed by Rockwell Automation, Inc. with respect to use of information, circuits, equipment, or software described in this manual.

Reproduction of the contents of this manual, in whole or in part, without written permission of Rockwell Automation, Inc., is prohibited.

Throughout this manual, when necessary, we use notes to make you aware of safety considerations.



WARNING: Identifies information about practices or circumstances that can cause an explosion in a hazardous environment, which may lead to personal injury or death, property damage, or economic loss.



ATTENTION: Identifies information about practices or circumstances that can lead to personal injury or death, property damage, or economic loss. Attentions help you identify a hazard, avoid a hazard, and recognize the consequence.

IMPORTANT Identifies information that is critical for successful application and understanding of the product.

Labels may also be on or inside the equipment to provide specific precautions.



SHOCK HAZARD: Labels may be on or inside the equipment, for example, a drive or motor, to alert people that dangerous voltage may be present.



BURN HAZARD: Labels may be on or inside the equipment, for example, a drive or motor, to alert people that surfaces may reach dangerous temperatures.



ARC FLASH HAZARD: Labels may be on or inside the equipment, for example, a motor control center, to alert people to potential Arc Flash. Arc Flash will cause severe injury or death. Wear proper Personal Protective Equipment (PPE). Follow ALL Regulatory requirements for safe work practices and for Personal Protective Equipment (PPE).

	Preface	
	Summary of Changes	11
	Conventions Used in This Manual	12
	Accessing Fault Codes	12
	Additional Resources	12
	Chapter 1	
Start	About the Kinetix 5500 Servo Drive System	15
	Drive Hardware and Input Power Configurations	17
	Standalone Configurations	17
	Shared AC/DC Configurations	19
	Shared DC Common-bus Configurations	20
	Shared AC/DC Hybrid Configuration	21
	Motor Feedback and Feedback-only Configurations	22
	Typical Communication Configurations	23
	Linear Topology	23
	Ring Topology	24
	Star Topology	25
	Safe Torque-off Configurations	26
	Hardwired Safety Configuration	26
	Integrated Safety Configurations	27
	Catalog Number Explanation	29
	Agency Compliance	30
	Chapter 2	
Plan the Kinetix 5500 Drive System Installation	System Design Guidelines	32
	AC Line Filter Selection	33
	Transformer Selection	34
	Circuit Breaker/Fuse Selection	34
	24V Control Power Evaluation	37
	Contactor Selection	37
	Passive Shunt Considerations	38
	Enclosure Selection	39
	Minimum Clearance Requirements	40
	Electrical Noise Reduction	41
	Bonding Modules	41
	Bonding Multiple Subpanels	43
	Establishing Noise Zones	44
	Cable Categories for Kinetix 5500 Systems	45
	Noise Reduction Guidelines for Drive Accessories	46

Mount the Kinetix 5500 Drive System

Chapter 3

Determine Mounting Order 50
 Zero-stack Tab and Cutout..... 50
 Shared-bus Connection System..... 51
 Single-axis Configurations..... 52
 Multi-axis Configurations..... 52
 Drill-hole Patterns 53
 Mount Your Kinetix 5500 Drive 60

Connector Data and Feature Descriptions

Chapter 4

Kinetix 5500 Connector Data..... 62
 Module Status Connector Pinout..... 63
 Safe Torque-off Connector Pinout..... 63
 Input Power Connector Pinouts..... 64
 DC Bus and Shunt Resistor Connector Pinouts..... 64
 Digital Inputs Connector Pinouts..... 65
 Ethernet Communication Connector Pinout..... 65
 Motor Power, Brake, and Feedback Connector Pinouts..... 66
 Motor Feedback Connector Pinout..... 66
 Understand Control Signal Specifications..... 67
 Digital Inputs 67
 Ethernet Communication Specifications 68
 Motor Brake Circuit..... 68
 Control Power 70
 Feedback Specifications..... 70
 Absolute Position Feature 71
 Safe Torque-off Safety Features..... 72
 Servo Drives with Hardwired Safety..... 72
 Servo Drives with Integrated Safety 72

Connect the Kinetix 5500 Drive System

Chapter 5

Basic Wiring Requirements 74
 Routing the Power and Signal Cables..... 74
 Determine the Input Power Configuration..... 75
 Grounded Power Configurations 75
 Ungrounded Power Configurations..... 77
 Ground Screw Settings 78
 Remove the Ground Screws in Select Power Configurations 79
 Ground the Drive System 80
 Ground the System Subpanel..... 80
 Ground Multiple Subpanels..... 81
 Wiring Requirements..... 82
 Wiring Guidelines..... 83
 Wire the Power Connectors..... 84
 Wire the 24V Control Power Input Connector 84
 Wire the Input Power Connector..... 85

Wire the Digital Input Connectors	86
Wire the Safe Torque-off Connector	86
Wire the Digital Inputs Connector	87
Wire Kinetix VP Motors and Actuators	87
Maximum Cable Lengths	88
Motor Power Connections	88
Motor Brake Connections	89
Motor Feedback Connections	90
Apply the Single Motor-cable Shield Clamp	91
Wire Other Allen-Bradley Motors and Actuators	92
Install the Kinetix 5500 Add-On Profile	93
Motor Power and Brake Connections	94
Motor Power/Brake Cable Series Change	95
Maximum Cable Lengths	96
Motor Power/Brake Cable Preparation	96
Apply the Motor Power/brake Shield Clamp	98
Motor Feedback Connections	100
Motor Feedback Cable Preparation	101
Capacitor Module Connections	104
External Passive-shunt Resistor Connections	105
Ethernet Cable Connections	106

Chapter 6

Configure and Start the Kinetix 5500 Drive System

Understand the Kinetix 5500 Display	108
Menu Screens	109
Setup Screens	110
Startup Sequence	112
Configure the Drive	113
Set the Network Parameters	113
Studio 5000 Logix Designer	113
Version History	113
Install the Kinetix 5500 Add-On Profile	114
Configure the Logix 5000 Controller	115
Configure the Kinetix 5500 Drive	118
Configure the Motion Group	128
Configure Feedback-only Axis Properties	129
Configure Induction-motor Frequency-control Axis Properties ..	130
General and Motor Categories	130
Basic Volts/Hertz Method	132
Sensorless Vector Method	134
Fan/Pump Volts/Hertz Method	136
Configure SPM Motor Closed-loop Control Axis Properties	138
Download the Program	142
Apply Power to the Kinetix 5500 Drive	143
Applying Power after Changing Input Voltage Range	143
Understand Bus-sharing Group Configuration	144
Bus-sharing Group Example	145

	Configure Bus-sharing Groups.....	146
	Test and Tune the Axes.....	148
	Test the Axes.....	148
	Tune the Axes.....	150
	Chapter 7	
Troubleshoot the Kinetix 5500 Drive System	Safety Precautions.....	155
	Interpret Status Indicators.....	156
	Display Interface.....	156
	Fault Code Overview.....	156
	Fault Codes.....	157
	Kinetix 5500 Drive Status Indicators.....	158
	Kinetix 5500 Capacitor Module Status Indicators.....	159
	General Troubleshooting.....	159
	Logix 5000 Controller and Drive Behavior.....	161
	Chapter 8	
Remove and Replace Servo Drives	Before You Begin.....	165
	Remove and Replace Kinetix 5500 Servo Drives.....	166
	Remove Power and All Connections.....	166
	Remove the Servo Drive.....	167
	Replace the Servo Drive.....	167
	Start and Configure the Drive.....	168
	Chapter 9	
Kinetix 5500 Safe Torque-off - Hardwired Safety	Certification.....	169
	Important Safety Considerations.....	170
	Category 3 Requirements According to ISO 13849-1.....	170
	Stop Category Definition.....	170
	Performance Level (PL) and Safety Integrity Level (SIL).....	170
	Description of Operation.....	171
	Fault Codes.....	172
	Probability of Dangerous Failure Per Hour.....	173
	Safe Torque-off Connector Data.....	173
	Wire the Safe Torque-off Circuit.....	174
	Safe Torque-off Wiring Requirements.....	174
	Safe Torque-off Feature.....	175
	Safe Torque-off Feature Bypass.....	175
	Cascade the Safe Torque-off Signal.....	176
	Safe Torque-off Specifications.....	176
	Chapter 10	
Kinetix 5500 Safe Torque-off - Integrated Safety	Certification.....	177
	Important Safety Considerations.....	178
	Safety Application Requirements.....	178

Category 3 Requirements According to ISO 13849.....	178
Stop Category Definition	179
Performance Level (PL) and Safety Integrity Level (SIL)	179
Description of Operation	179
STO State Reset.....	179
Fault Codes	180
Probability of Dangerous Failure Per Hour	181
Safe Torque-off Feature.....	181
Out-of-Box State	182
Out-of-Box State Support	182
Understand Integrated Safety Drive Replacement.....	183
Replace an Integrated Safety Drive in a GuardLogix System.....	184
Configure Only When No Safety Signature Exists.....	185
Configure Always	185
Motion Direct Commands in Motion Control Systems	186
Understand STO Bypass When Using	
Motion Direct Commands.....	186
Logix Designer Application Warning Messages	187
Torque Permitted in a Multi-workstation Environment	189
Warning Icon and Text in Axis Properties	189
Functional Safety Considerations	191
Safe Torque-off Specifications.....	192

Appendix A

Interconnect Diagrams

Interconnect Diagram Notes	193
Power Wiring Examples	194
Single-axis Drive Wiring Examples.....	194
Bus-sharing Wiring Examples.....	196
Shunt Resistor Wiring Example	198
Kinetix 5500 Servo Drive and Rotary Motor Wiring Examples... ..	199
Kinetix 5500 Drive and Linear Actuator Wiring Examples.....	201
System Block Diagrams	205

Appendix B

Upgrade the Drive Firmware

Before You Begin.....	208
Configure Logix 5000 Controller Communication.....	209
Inhibit Feedback Only Axis	210
Upgrade Firmware	211
Verify the Firmware Upgrade	215

Size Multi-axis Shared-bus Configurations

Appendix C

Shared-bus Configurations 217
 Shared AC Configurations 218
 Shared DC Configurations 218
 Shared AC/DC Configurations 220
 Shared AC/DC Hybrid Configurations 221
 Power-sharing Sizing Examples 222
 Shared DC Example 222
 Shared AC/DC Hybrid Example 223
 Shared AC/DC Example 224
 Control Power Current Calculations 224
 Kinetix 5500 System Current Demand Example 225
 Energy Calculations 226

Motor Control Feature Support

Appendix D

Frequency Control Methods 228
 Basic Volts/Hertz 229
 Basic Volts/Hertz for Fan/Pump Applications 230
 Sensorless Vector 231
 Current Limiting for Frequency Control 232
 The Effects of Current Limiting 232
 Enable the Current Limiting Feature 234
 Set the CurrentVectorLimit Attribute Value 234
 Stability Control for Frequency Control 235
 Enable the Stability Control Feature 236
 Skip Speeds 237
 Multiple Skip Speeds 238
 Flux Up 239
 Flux Up Attributes 240
 Configure the Flux Up Attributes 241
 Current Regulator Loop Settings 242
 Motor Category 242
 Motor Tests and Autotune Procedure 244
 Motor Analyzer Category Troubleshooting 245
 Selection of Motor Thermal Models 248
 Generic Motors 248
 Thermally Characterized Motors 249
 Speed Limited Adjustable Torque (SLAT) 250
 Motion Polarity Setting 250
 SLAT Min Speed/Torque 251
 SLAT Max Speed/Torque 252
 SLAT Attributes 252
 Configure the Axis for SLAT 253
 Motor Overload Retention 256
 Phase Loss Detection 257
 Phase-loss Detection Attributes 257

Phase-loss Detection Configuration 258
 Phase Loss Detection Current Example 259
 Velocity Droop 260
 Closed Loop Control 260
 Frequency Control 260
 Velocity Droop Attribute 260
 Velocity Droop Configuration..... 261
 Commutation Test..... 262
 Adaptive Tuning..... 262

Index 263

Notes:

This manual provides detailed installation instructions for mounting, wiring, and troubleshooting the Kinetix® 5500 servo drives, and system integration for your drive and motor/actuator combination with a Logix 5000™ controller.

This manual is intended for engineers or technicians directly involved in the installation and wiring of the Kinetix 5500 drives, and programmers directly involved in the operation, field maintenance, and integration of these drives with the EtherNet/IP™ communication module or controller.

If you do not have a basic understanding of Kinetix 5500 servo drives, contact your local Rockwell Automation sales representative for information on available training courses.

Summary of Changes

This manual contains new and updated information as indicated in the following table.

Topic	Page
Added reference to Knowledgebase article, 1091726 , for fault codes and descriptions.	12, 157
Added Kinetix 5700 drive compatibility with 2090-CSxM1xx-xxVAxx (PVC) and 2090-CSBM1xx-xxLFxx (Halogen-free PUR) single motor-cables.	Throughout

Conventions Used in This Manual

These conventions are used throughout this manual:

- Bulleted lists such as this one provide information, not procedural steps.
- Numbered lists provide sequential steps or hierarchical information.
- Catalog number string 2198-Hxxx-ERSx is used when there's no need to distinguish between -ERS or -ERS2 servo drives.

Kinetix 5500 Drive Cat. No.	Description
2198-Hxxx-ERS	Kinetix 5500 drive with hardwired safe torque-off functionality
2198-Hxxx-ERS2	Kinetix 5500 drive with integrated safe torque-off functionality

Accessing Fault Codes

For Kinetix 5500 fault codes and descriptions, see the Knowledgebase Answer ID: [1091726](#).

Additional Resources

These documents contain additional information concerning related products from Rockwell Automation.

Table 1 - Additional Resources

Resource	Description
Kinetix Rotary Motion Specifications Technical Data, publication KNX-TD001	Product specifications for Kinetix VPL, VPF, VPH, and VPS, Kinetix MPL, MPM, MPF, and MPS, Kinetix TL and TLY, and Kinetix HPK rotary motors.
Kinetix Linear Motion Specifications Technical Data, publication KNX-TD002	Product specifications for Kinetix MPAS ballscrew, MPAR, and MPAL and LDAT-Series linear actuators.
Kinetix Servo Drives Specifications Technical Data, publication KNX-TD003	Product specifications for Kinetix Integrated Motion over the EtherNet/IP network, Integrated Motion over sercos interface, EtherNet/IP networking, and component servo drive families.
Kinetix Motion Accessories Specifications Technical Data, publication KNX-TD004	Product specifications for Bulletin 2090 motor and interface cables, low-profile connector kits, drive power components, and other servo drive accessory items.
AC Line Filter Installation Instructions, publication 2198-IN003	Provides information on how to install AC line filters designed for Kinetix 5500 and Kinetix 5700 servo drive systems.
Shunt Resistor Installation Instructions, publication 2097-IN002	Provides information on how to install and wire Bulletin 2097 shunt resistors.
System Design for Control of Electrical Noise Reference Manual, publication GMC-RM001	Information, examples, and techniques designed to minimize system failures caused by electrical noise.
Kinetix Motion Control Selection Guide, publication KNX-SG001	Overview of Kinetix servo drives, motors, actuators, and motion accessories designed to help make initial decisions for the motion control products best suited for your system requirements.
Kinetix 5500 Drive Systems Design Guide, publication KNX-RM009	System design guide to select the required (drive specific) drive module, power accessory, feedback connector kit, and motor cable catalog numbers for your Kinetix 5500 drive system.
Kinetix Halogen-free PUR and PVC Single Motor Cables Quick Reference, publication 2090-QR002	Provides product specifications comparing 2090-CSBM1xx-xxLFxx (Halogen-free PUR) and 2090-CSxM1xx-xxVAxx (PVC) single motor cables.
Rockwell Automation Product Selection website http://www.rockwellautomation.com/global/support/selection.page	Online product selection and system configuration tools, including AutoCAD (DXF) drawings.
Motion Analyzer System Sizing and Selection Tool website https://motionanalyzer.rockwellautomation.com/	Comprehensive motion application sizing tool used for analysis, optimization, selection, and validation of your Kinetix Motion Control system.
Product Certifications website, rok.auto/certifications	Provides declarations of conformity, certificates, and other certification details.
Motor Nameplate Datasheet Entry for Custom Motor Applications Application Technique, publication 2198-AT002	Provides information on the use of nameplate data entry for custom induction motors and permanent-magnet motors that are used in applications with Kinetix 5700 servo drives.

Table 1 - Additional Resources (continued)

Resource	Description
Vertical Load and Holding Brake Management Application Technique, publication MOTION-AT003	Provides information on vertical loads and how the servo motor holding-brake option can be used to help keep a load from falling.
Integrated Motion on the EtherNet/IP Network Reference Manual, publication MOTION-RM003	Information on the AXIS_CIP_DRIVE attributes and the configuration software control modes and methods.
Integrated Motion on the EtherNet/IP Network Configuration and Startup User Manual, publication MOTION-UM003	Information on how to configure and troubleshoot your ControlLogix® and CompactLogix™ EtherNet/IP network modules.
GuardLogix 5570 Controllers User Manual, publication 1756-UM022	Provides information on how to install, configure, program, and use ControlLogix controllers and GuardLogix® controllers in Studio 5000 Logix Designer® projects.
GuardLogix 5580 Controllers User Manual, publication 1756-UM543	
Compact GuardLogix 5370 Controllers User Manual, publication 1769-UM022	Provides information on how to install, configure, program, and use CompactLogix and Compact GuardLogix controllers.
Compact GuardLogix 5380 Controllers User Manual, publication 5069-UM001	
GuardLogix 5570 and Compact GuardLogix 5370 Controller Systems Safety Reference Manual, publication 1756-RM099	Provides information on how to achieve and maintain Safety Integrity Level (SIL) and Performance Level (PL) safety application requirements for GuardLogix and Compact GuardLogix controllers.
GuardLogix 5580 and Compact GuardLogix 5380 Controller Systems Safety Reference Manual, publication 1756-RM012	
ControlFLASH Firmware Upgrade Kit User Manual, publication 1756-UM105	Provides information on how to upgrade your drive firmware by using ControlFLASH™ software.
Rockwell Automation Industrial Automation Glossary, publication AG-7.1	A glossary of industrial automation terms and abbreviations.
Industrial Automation Wiring and Grounding Guidelines, publication 1770-4.1	Provides general guidelines for installing a Rockwell Automation industrial system.

You can view or download publications at
<http://www.rockwellautomation.com/global/literature-library/overview.page>.

Notes:

Start

Use this chapter to become familiar with the Kinetix® 5500 drive system and obtain an overview of the installation configurations.

Topic	Page
About the Kinetix 5500 Servo Drive System	15
Drive Hardware and Input Power Configurations	17
Motor Feedback and Feedback-only Configurations	22
Typical Communication Configurations	23
Safe Torque-off Configurations	26
Catalog Number Explanation	29
Agency Compliance	30

About the Kinetix 5500 Servo Drive System

The Kinetix 5500 servo drives are designed to provide a Kinetix Integrated Motion solution for your drive and motor/actuator application.

Table 2 - Kinetix 5500 Drive System Overview

Drive System Component	Cat. No.	Description
Kinetix 5500 Servo Drives	2198-Hxxx-ERS	200V-class (single-phase or three-phase) and 400V-class (three-phase) drives operate in standalone and multi-axis shared AC, shared DC, shared AC/DC, and shared AC/DC hybrid configurations. Modules are zero-stacked from drive-to-drive and use the shared-bus connection system to extend power in multi-axis configurations. Safe torque-off via hardwired (STO) connector.
	2198-Hxxx-ERS2	Same power structures as 2198-Hxxx-ERS servo drives with standalone and multi-axis bus-sharing capability. Safe torque-off via the EtherNet/IP™ network.
Kinetix 5500 Capacitor Module	2198-CAPMOD-1300	Use for energy storage and/or to improve performance in applications producing regenerative energy and requiring shorter duty cycles (1360 µf). Modules are zero-stacked side-by-side with servo drives and use the shared-bus connection system to extend power.
Shared-bus Connector Kits	2198-H040-x-x	Input wiring connectors and DC bus T-connector for frame 1 and 2 servo drives.
	2198-H070-x-x	Input wiring connectors and DC bus T-connector for frame 3 servo drives.
Feedback Connector Kit	2198-KITCON-DSL	Replacement feedback connector kit with 2-pin connector plug and grounding plate inside the connector housing.
Hiperface to DSL Converter Kit	2198-H2DCK (series B or later)	Use the 2198-H2DCK Hiperface-to-DSL feedback converter kit with Kinetix MPL, MPM, MPF, and MPS rotary motors, Kinetix MPAS ballscrew, MPAR, MPAL linear actuators, and LDAT-Series linear thrusters.
I/O Connector Kits	2198-KITCON-IOSP	Replacement I/O connector kit (spring clamp) for I/O (IOD) connector.
	2198-KITCON-IOSC	Replacement I/O connector kit (screw terminal) for I/O (IOD) connector.
Connector Sets	2198-KITCON-PWR40	Replacement connector set, 40 A, for frame 1 and frame 2 drives.
	2198-KITCON-PWR70	Replacement connector set, 70 A, for frame 3 drives.
	2198-KITCON-CAP1300	Replacement connector set, 40 A, for capacitor module.

Table 2 - Kinetix 5500 Drive System Overview (continued)

Drive System Component	Cat. No.	Description
Encoder Output Module	2198-ABQE	The Allen-Bradley® encoder output module is a DIN-rail mounted EtherNet/IP network-based standalone module capable of outputting encoder pulses to a customer-supplied peripheral device (cameras, for example, used in line-scan vision systems).
Logix 5000™ Controller Platform	Bulletin 1769 Bulletin 5069	Integrated Motion on the EtherNet/IP network in CompactLogix™ 5370, CompactLogix 5380, and CompactLogix 5480 controllers and Integrated Safety in Compact GuardLogix® 5370 controllers. Linear, device-level ring (DLR), and star topology is supported.
	1756-EN2T module 1756-EN2TR module 1756-EN3TR module	EtherNet/IP network communication modules for use with ControlLogix® 5570, ControlLogix 5580, and GuardLogix 5570 controllers. Linear, device-level ring (DLR), and star topology is supported.
Studio 5000® Environment	N/A	Studio 5000 Logix Designer® application, version 21.00 or later, provides support for programming, commissioning, and maintaining the CompactLogix and ControlLogix controller families. Version 24.00 or later is required for 2198-Hxxx-ERS2 servo drives.
Rotary Servo Motors	Kinetix VP	Compatible rotary motors include 200V and 400V-class Kinetix VPL, VPF, VPH, and VPS.
	Kinetix MP	Compatible rotary motors include 200V and 400V-class Kinetix MPL, MPM, MPF, and MPS when used with the Hiperface-to-DSL feedback converter kit.
Linear Actuators	Kinetix VPAR Kinetix MP LDAT-Series	Compatible linear actuators include 200V and 400V-class Kinetix VPAR, Kinetix MPAS ballscrew, MPAR, and MPAL, and LDAT-Series when used with the Hiperface-to-DSL feedback converter kit.
Induction Motors	N/A	Induction motors with open loop frequency control are also supported.
Cables	2090-CSxM1DF-xxxxxx	Bulletin 2090 flying-lead single-cable for motor power, feedback, and optional 24V DC brake power with Kinetix VP motors. Designed specifically for Kinetix 5500 servo drives.
	2090-CSxM1DG-xxxxxx	Bulletin 2090 flying-lead single cable for motor power, feedback, and optional 24V DC brake power with Kinetix VP motors and actuators. Designed with longer leads than 2090-CSxM1DF cables to accommodate Kinetix 5500 and Kinetix 5700 drive families.
	2090-CFBM7DF-CEAxxx	Bulletin 2090 motor feedback cables for Kinetix MP motors and actuators.
	2090-CPxM7DF-xxAxxx	Bulletin 2090 motor power/brake cables for Kinetix MP motors and actuators.
	1585J-M8CBJM-x	Ethernet cables are available in standard lengths. Shielded cable is recommended.
AC Line Filters	2198-DB08-F 2198-DB20-F 2198-DB42-F	Bulletin 2198 three-phase AC line filters are required to meet CE and available for use in all Kinetix 5500 drive systems. Use 2198-DBxx-F filters as field replacements in existing installations. Select 2198-DBRxx-F filters for all new systems and do not remove the servo drive ground screws.
	2198-DBR20-F 2198-DBR40-F 2198-DBR90-F	Bulletin 2198 three-phase AC line filters are required to meet CE and available for use with all Kinetix 5500 drive systems. Select 2198-DBRxx-F filters for all new systems and do not remove the servo drive ground screws.
24V DC Power Supply	1606-XLxxx	Bulletin 1606 24V DC power supply for control circuitry, digital inputs, safety, and motor brake.
External Shunt Resistors	2097-R6 and 2097-R7	Bulletin 2097 external passive shunt resistors for when the internal shunt capability of the drive is exceeded.

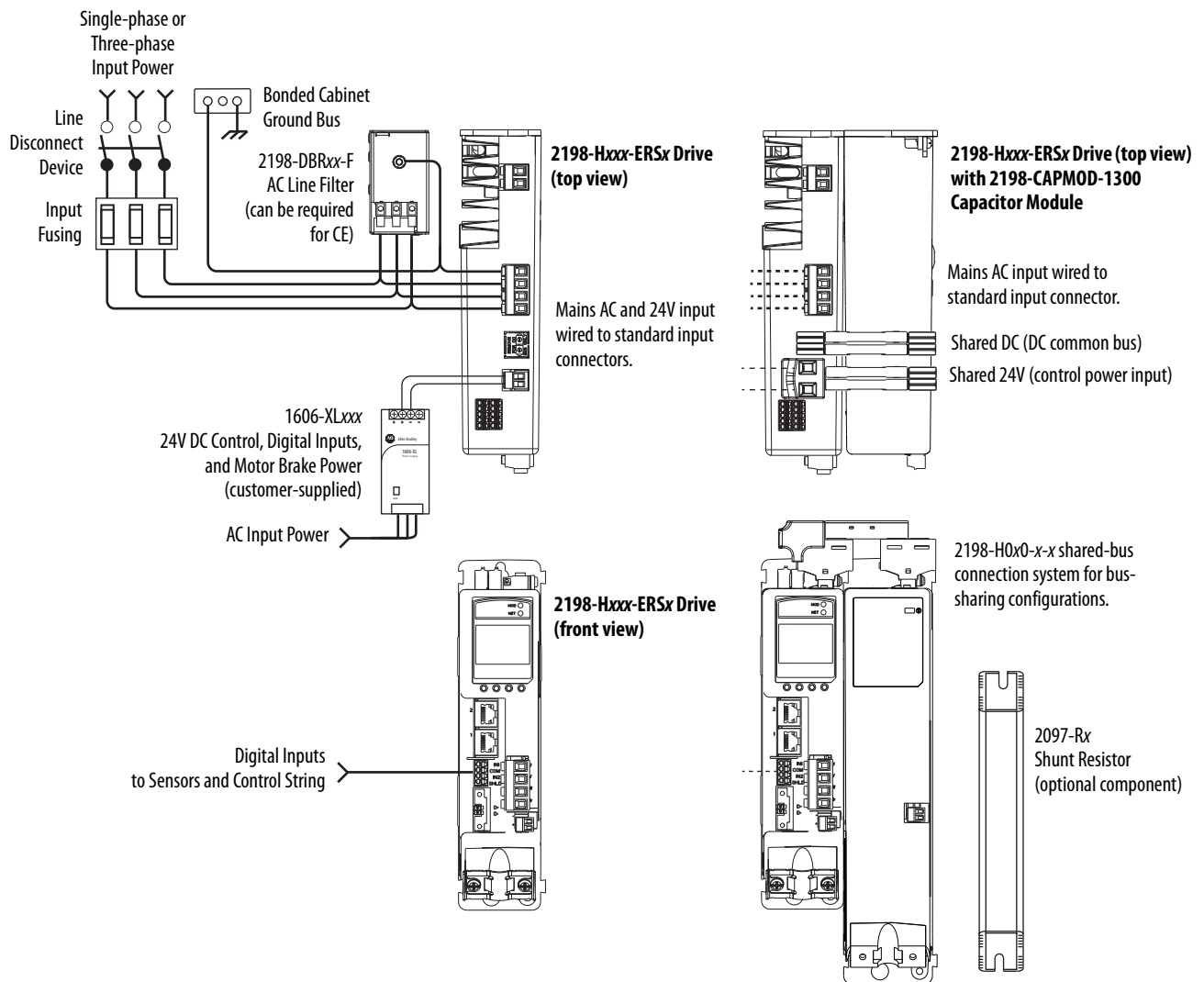
Drive Hardware and Input Power Configurations

Typical Kinetix 5500 systems include single-phase and three-phase standalone configurations, three-phase shared AC, shared AC/DC, shared DC, and shared AC/DC hybrid configurations.

Standalone Configurations

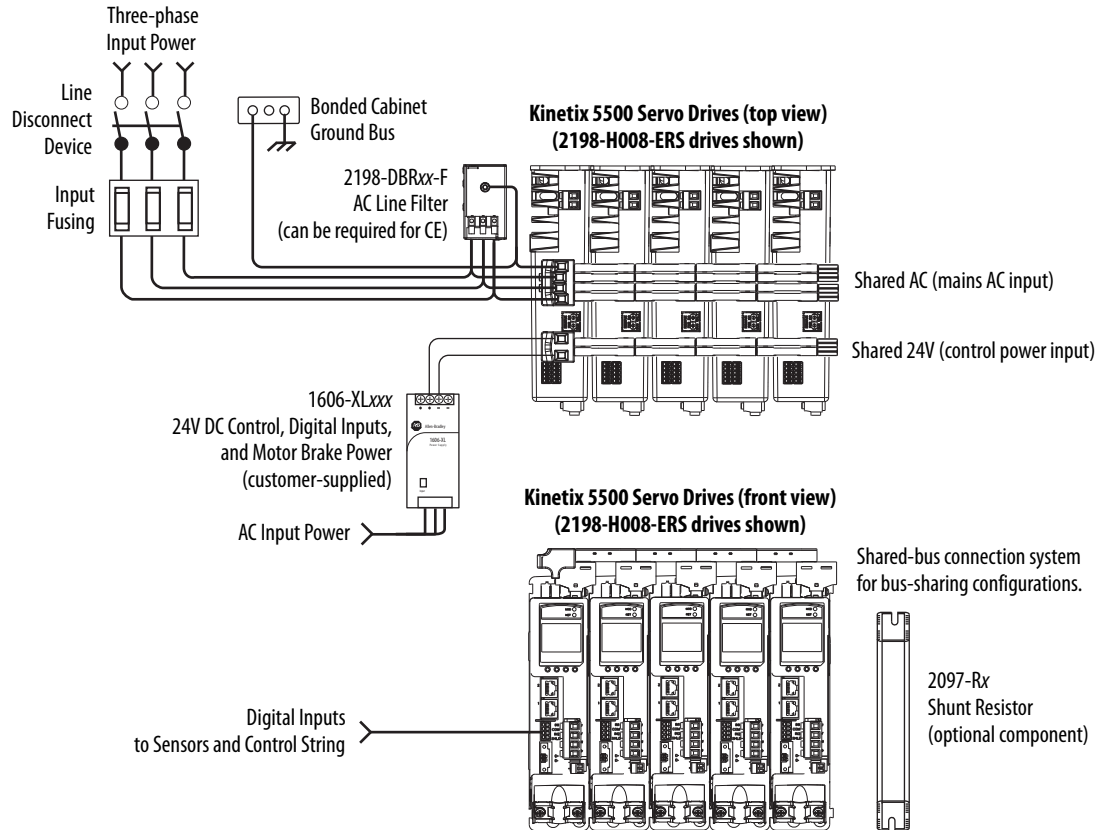
In these examples, a single standalone drive is shown with and without the Bulletin 2198 capacitor module.

Figure 1 - Typical Kinetix 5500 Standalone Installation



In this example, three-phase AC power and 24V control power is shared in a multi-axis configuration. All drives must have the same power rating (catalog number).

Figure 2 - Typical Shared AC Installations

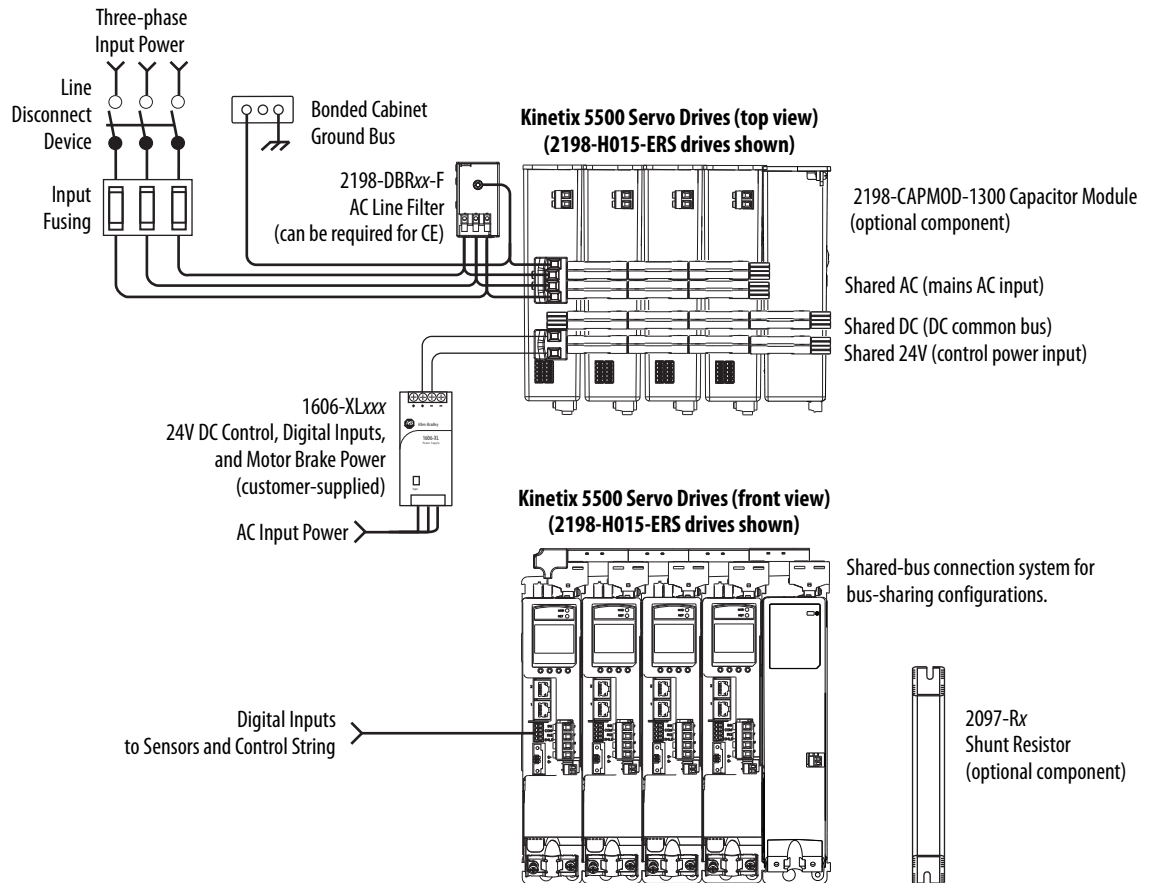


IMPORTANT In shared AC configurations, all drives must have the same power rating. Shared AC configurations do not support Bulletin 2198 capacitor modules.

Shared AC/DC Configurations

In this example, three-phase AC input power, 24V control power, and DC-bus power are shared in a multi-axis configuration. All drives must be the same power rating (catalog number).

Figure 3 - Typical Shared AC/DC Installations

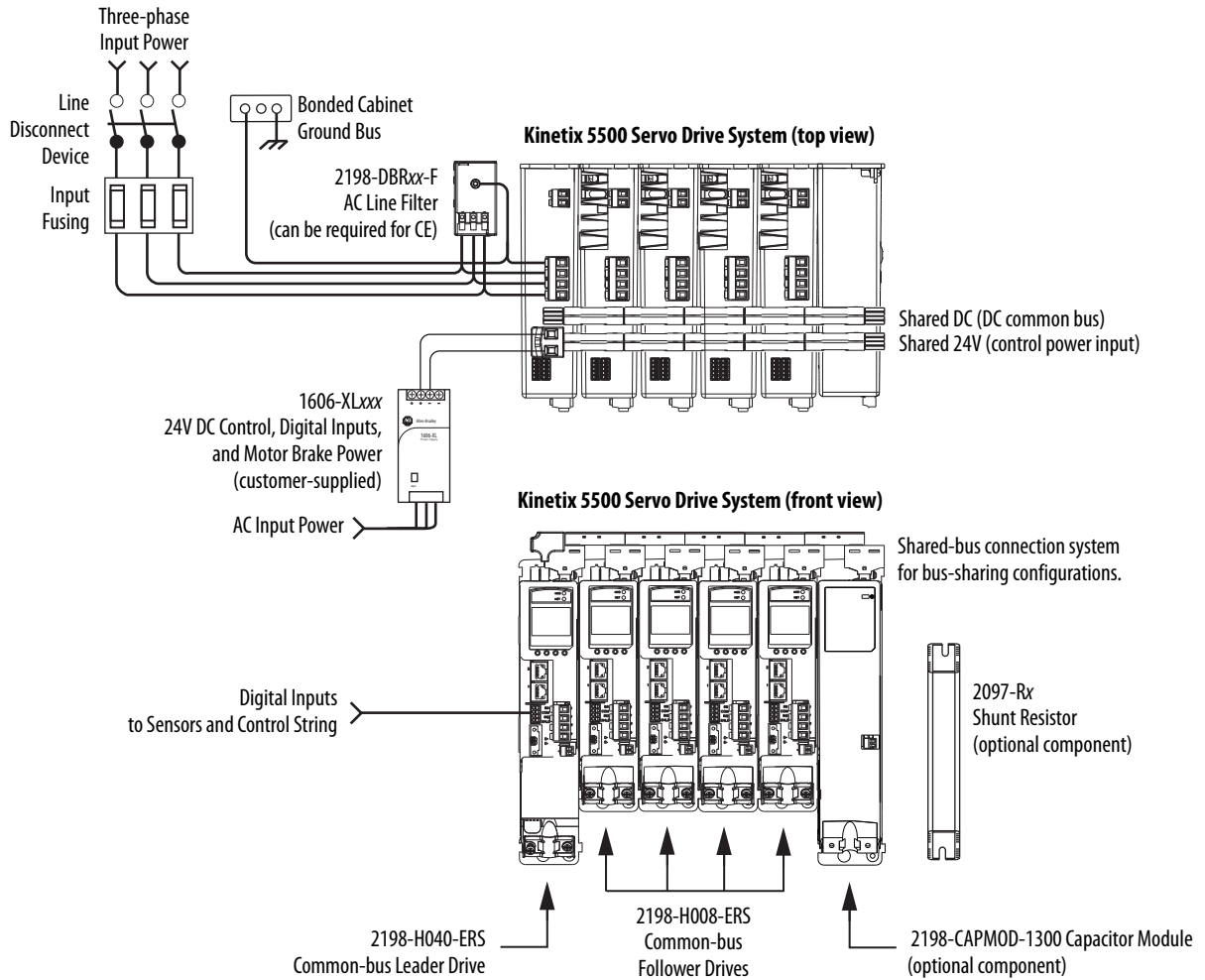


IMPORTANT In shared AC/DC configurations, all drives must have the same power rating (catalog number).

Shared DC Common-bus Configurations

In this multi-axis example, the common-bus leader (sourcing) drive receives three-phase AC input power and supplies DC power to common-bus follower (sinking) drives. The common-bus leader-drive power rating is greater than or equal to the power rating of each follower drive.

Figure 4 - Typical Shared DC Common-bus Installations

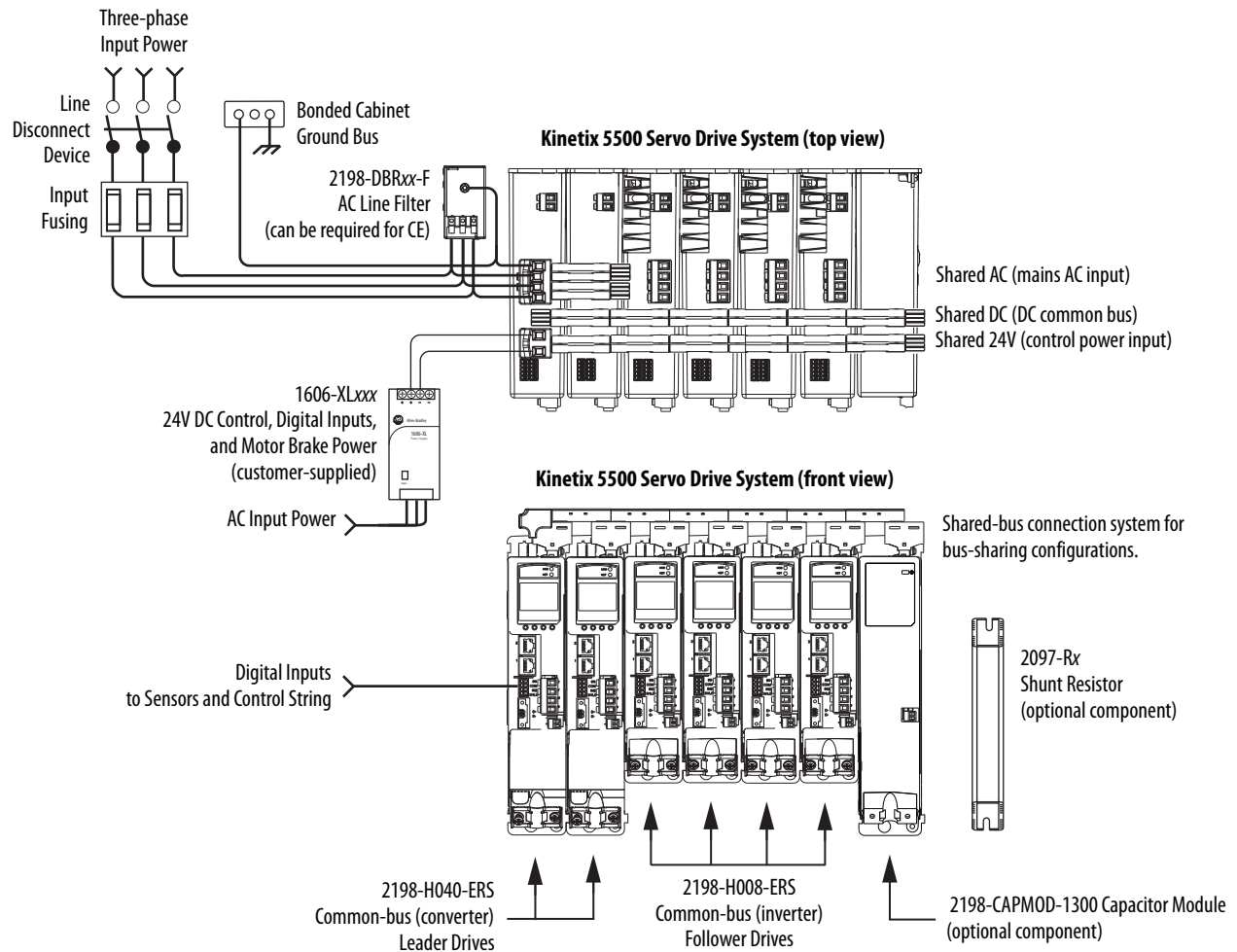


IMPORTANT In shared DC common-bus configurations, the leader drive power rating must be greater than or equal to the power rating of the follower drives.

Shared AC/DC Hybrid Configuration

In this multi-axis example, three-phase AC input power is supplied to two converter drives. The converter drive ratings must be the same, and greater than or equal to the power ratings of the inverter drives. This parallel converter configuration increases the DC-bus power supplied to the inverter drives.

Figure 5 - Typical Shared AC/DC Bus Hybrid Installations

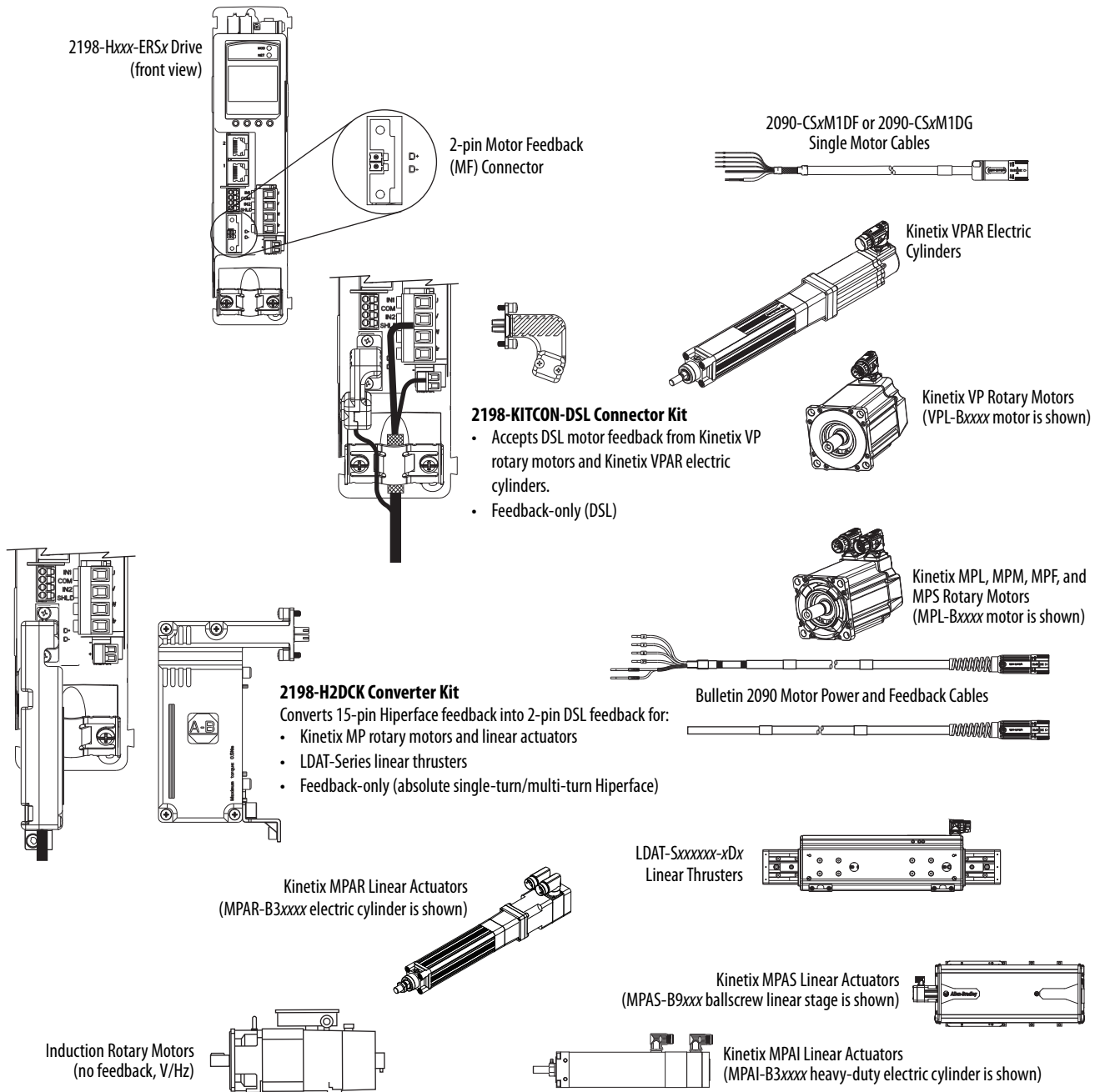


IMPORTANT In shared AC/DC hybrid configuration, the converter drives must have the same power rating and must be greater than or equal to the power ratings of the inverter drives.

Motor Feedback and Feedback-only Configurations

Feedback connections are made at the 2-pin motor feedback (MF) connector. These examples illustrate how you can use the Bulletin 2198 connector kits for making these connections. To see motor power and brake connections, refer to [Chapter 5](#) on [page 73](#).

Figure 6 - Feedback Configuration Example



IMPORTANT In 2198-H2DCK converter kit applications, you can replace the 2090-CPxM7DF power/brake cable with a 2090-CSxM1DF/DG single motor cable, and reuse the 2090-CFBM7DF feedback cable. This increases the maximum cable length for 18 and 14 AWG single cables to 50 m (164 ft). 2090-CSBM1DF-10AFxx or 2090-CSBM1DG-10xxxx (10 AWG) cables do not support this 50 m (164 ft) option.

Typical Communication Configurations

The Kinetix 5500 drives support any Ethernet topology including linear, ring, and star by using ControlLogix, GuardLogix, or CompactLogix controllers.

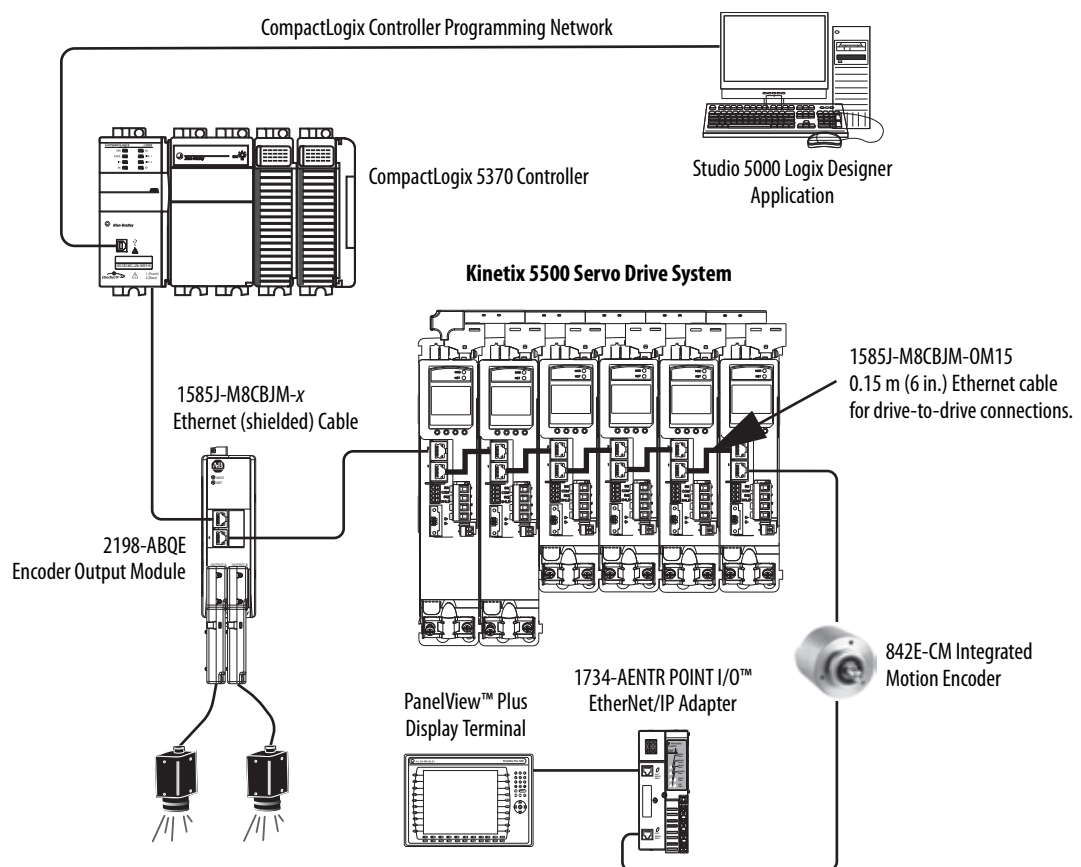
These examples feature the CompactLogix 5370 programmable automation controllers (Bulletin 1769) with support for Integrated Motion over the EtherNet/IP network.

Refer to CompactLogix Controllers Specifications Technical Data, publication [1769-TD005](#), for more information on CompactLogix 5370 L1, L2, and L3 controllers.

Linear Topology

In this example, all devices are connected in linear topology. The Kinetix 5500 drives include dual-port connectivity, however, if any device becomes disconnected, all devices downstream of that device lose communication. Devices without dual ports must include the 1783-ETAP module or be connected at the end of the line.

Figure 7 - Kinetix 5500 Linear Communication Installation

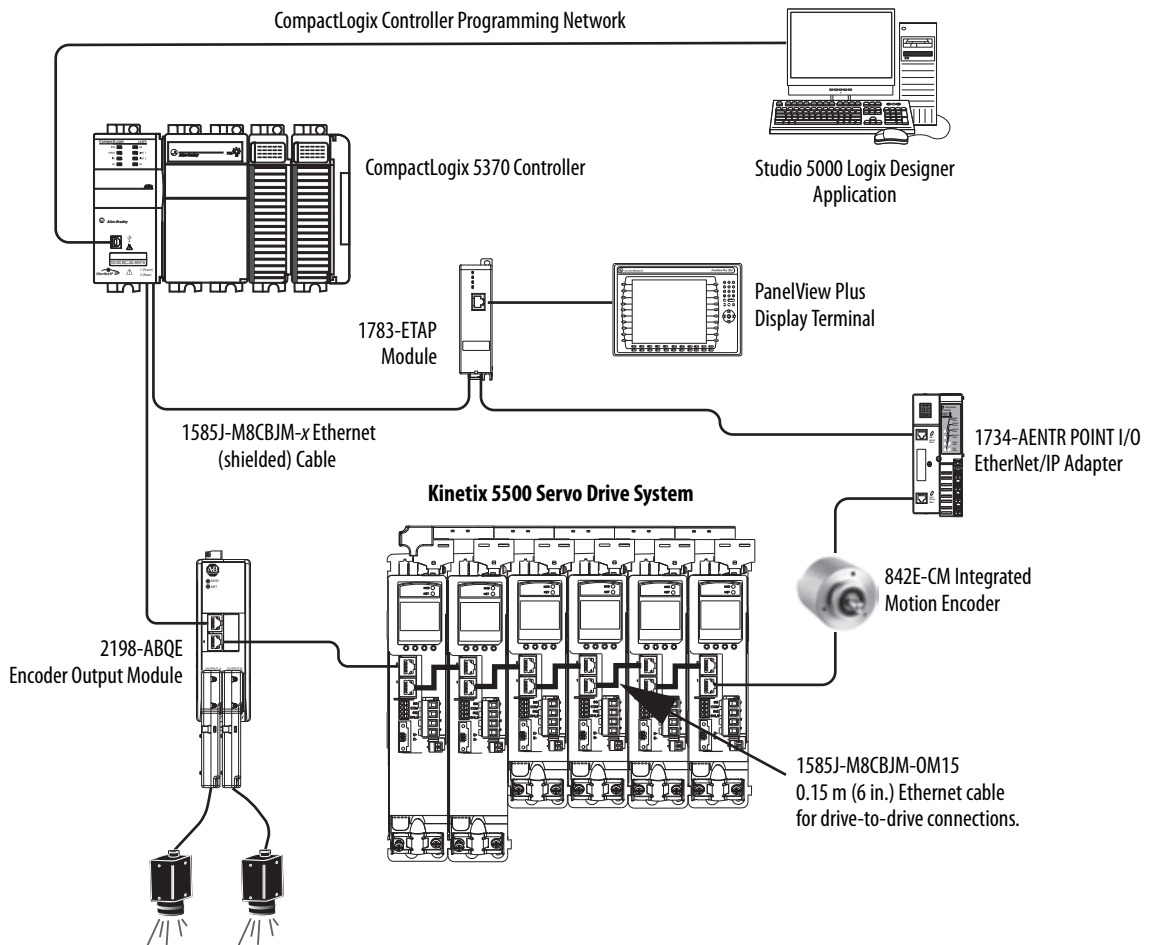


Ring Topology

In this example, the devices are connected by using ring topology. If only one device in the ring is disconnected, the rest of the devices continue to communicate. For ring topology to work correctly, a device level ring (DLR) supervisor is required (for example, the Bulletin 1783 ETAP device). DLR is an ODVA standard. For more information, refer to the EtherNet/IP Embedded Switch Technology Application Guide, publication [ENET-AP005](#).

Devices without dual ports, for example the display terminal, require a 1783-ETAP module to complete the network ring.

Figure 8 - Kinetix 5500 Ring Communication Installation

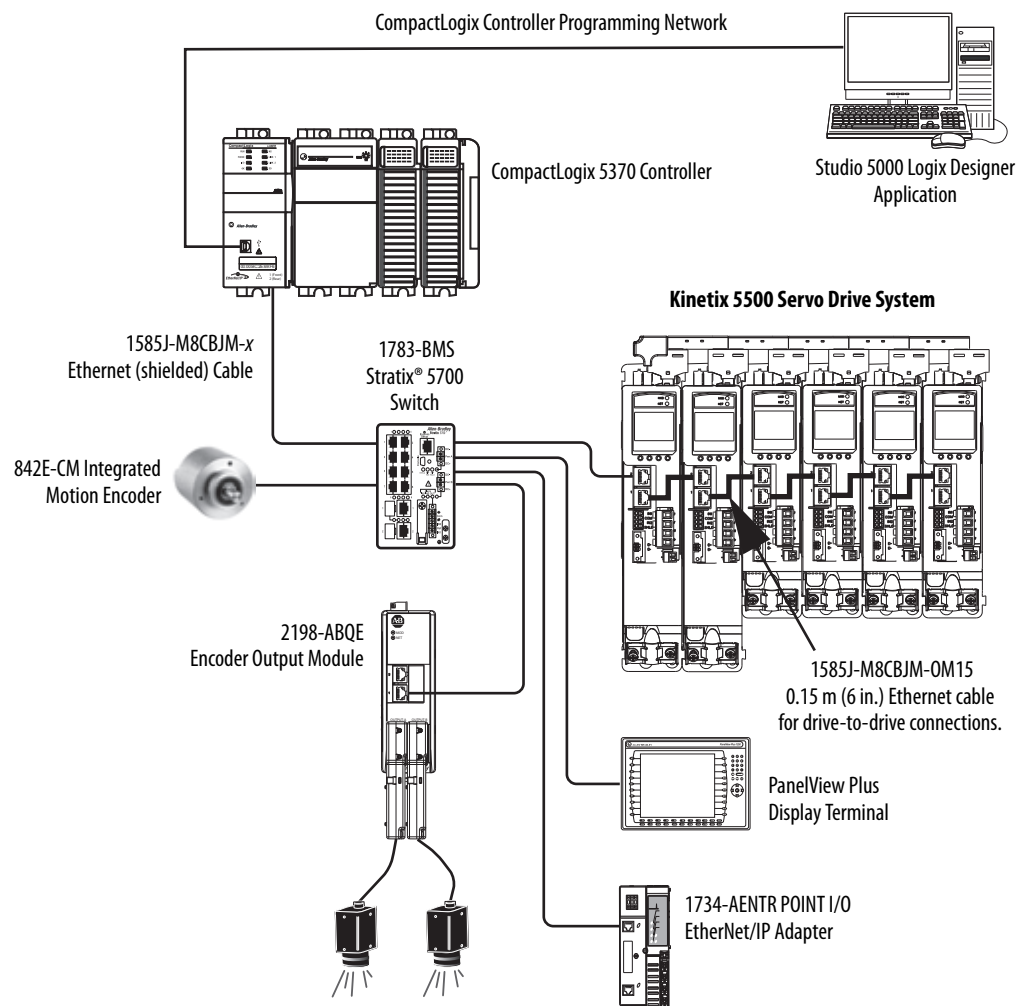


Star Topology

In this example, the devices are connected by using star topology. Each device is connected directly to the switch.

Kinetix 5500 drives have dual ports, so linear topology is maintained from drive-to-drive, but Kinetix 5500 drives and other devices operate independently. The loss of one device does not impact the operation of other devices.

Figure 9 - Kinetix 5500 Star Communication Installation



You can use the 842E-CM integrated motion encoder for applications requiring an external encoder for gearing or camming to the Kinetix 5700 drive. By providing auxiliary feedback directly through the EtherNet/IP network, the 842E-CM encoder helps eliminate the need for point-to-point wiring while letting customers use the encoder in a variety of network topologies. For more information, see the 842E-CM Integrated Motion on EtherNet/IP Product Profile, publication [842ECM-PP001](#).

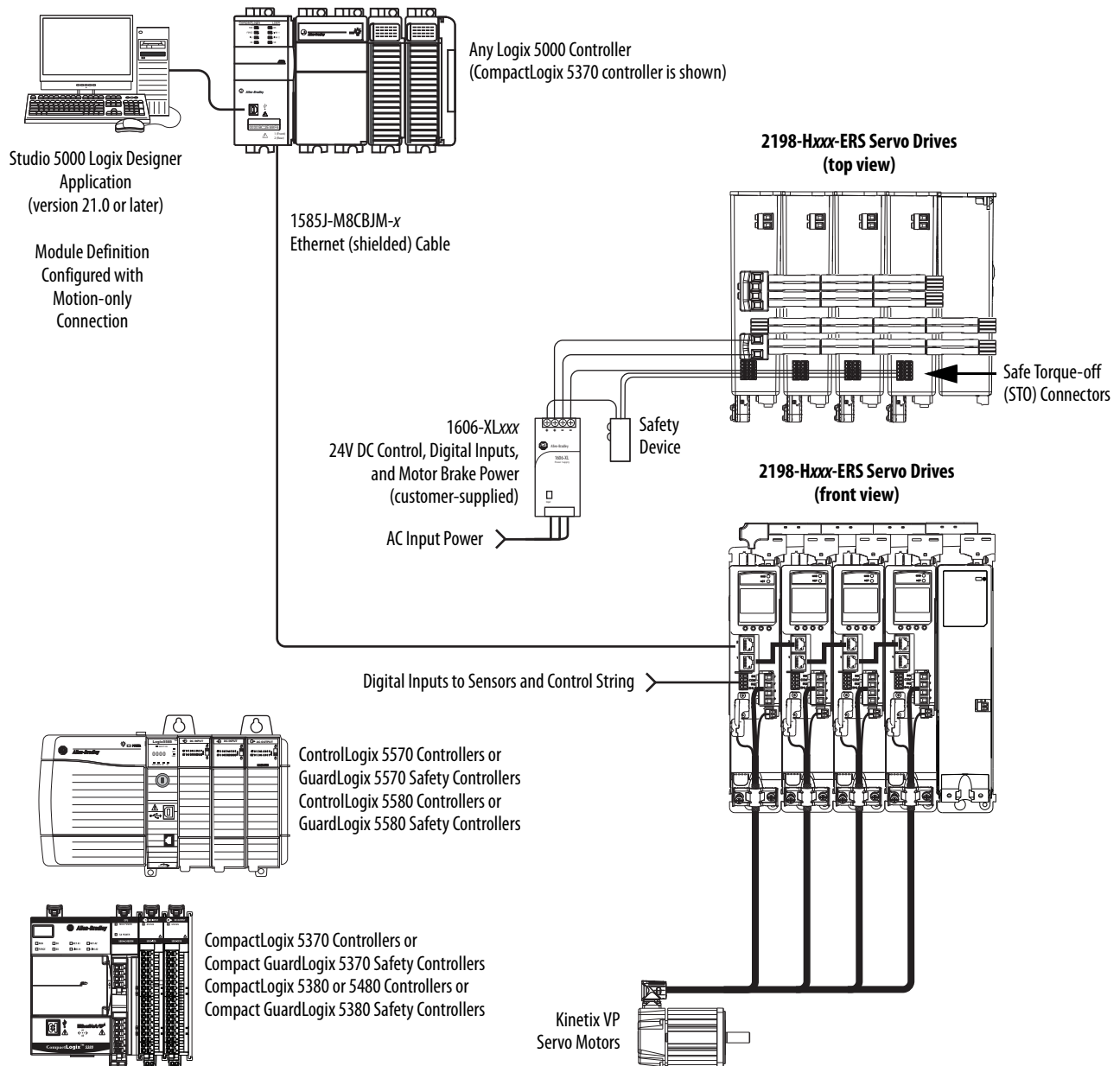
Safe Torque-off Configurations

Kinetix 5500 servo drives are available with safe torque-off via hardwired connections or integrated over the EtherNet/IP network. These examples illustrate the safe torque-off configuration options.

Hardwired Safety Configuration

The 2198-Hxxx-ERS drives use the safe torque-off (STO) connector for wiring external safety devices and cascading hardwired safety connections from one drive to another.

Figure 10 - Safe Torque-off (hardwired) Configuration



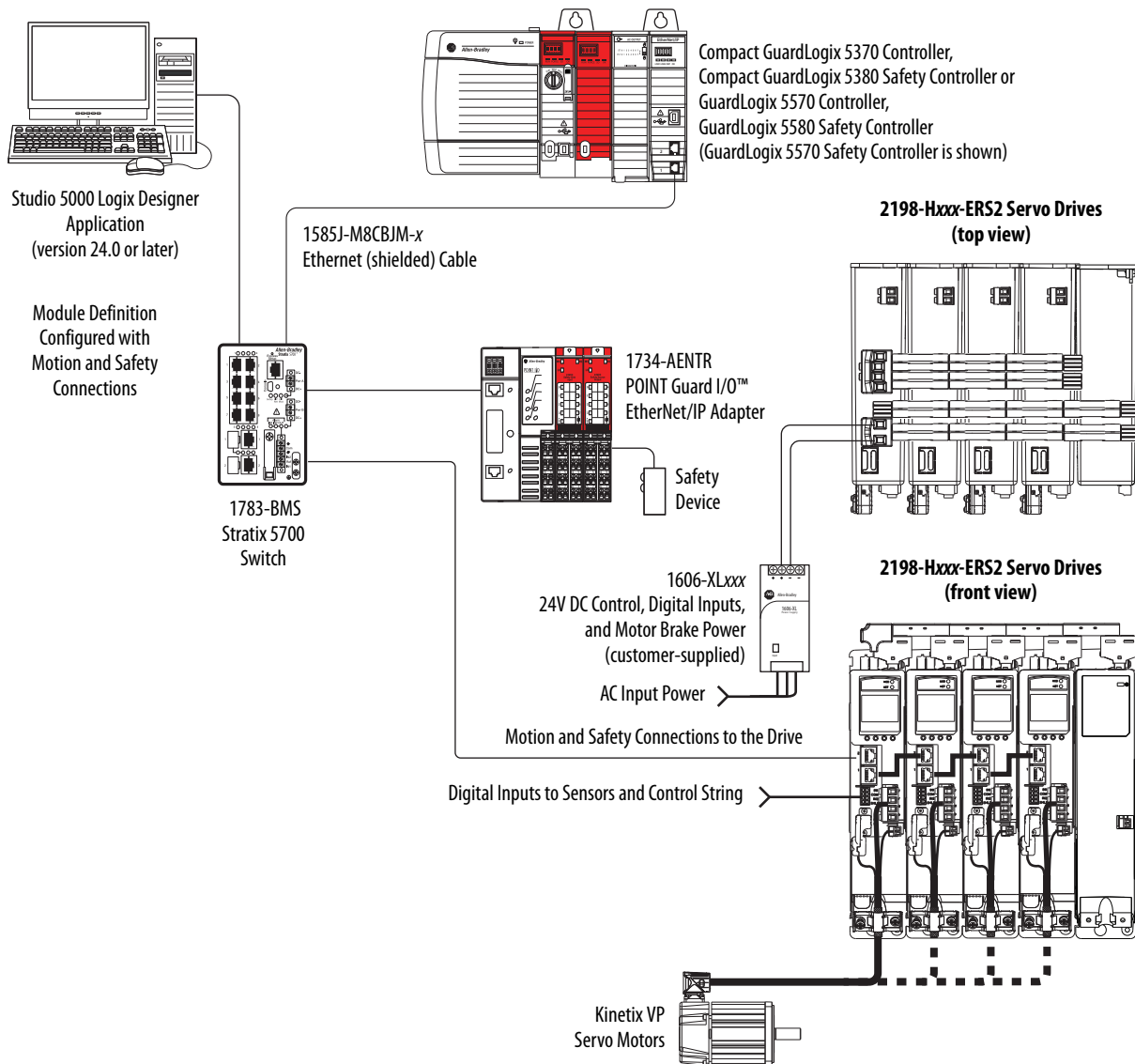
Integrated Safety Configurations

The GuardLogix 5570 or Compact GuardLogix 5370 safety controller issues the safe torque-off (STO) command over the EtherNet/IP network and the 2198-Hxxx-ERS2 integrated safety drive executes the command.

In this example, a single GuardLogix safety controller makes a Motion and Safety connection with the 2198-Hxxx-ERS2 integrated safety drives.

IMPORTANT If only one controller is used in an application with Motion and Safety connections, the controller must be a GuardLogix 5570 or Compact GuardLogix 5370 safety controller.

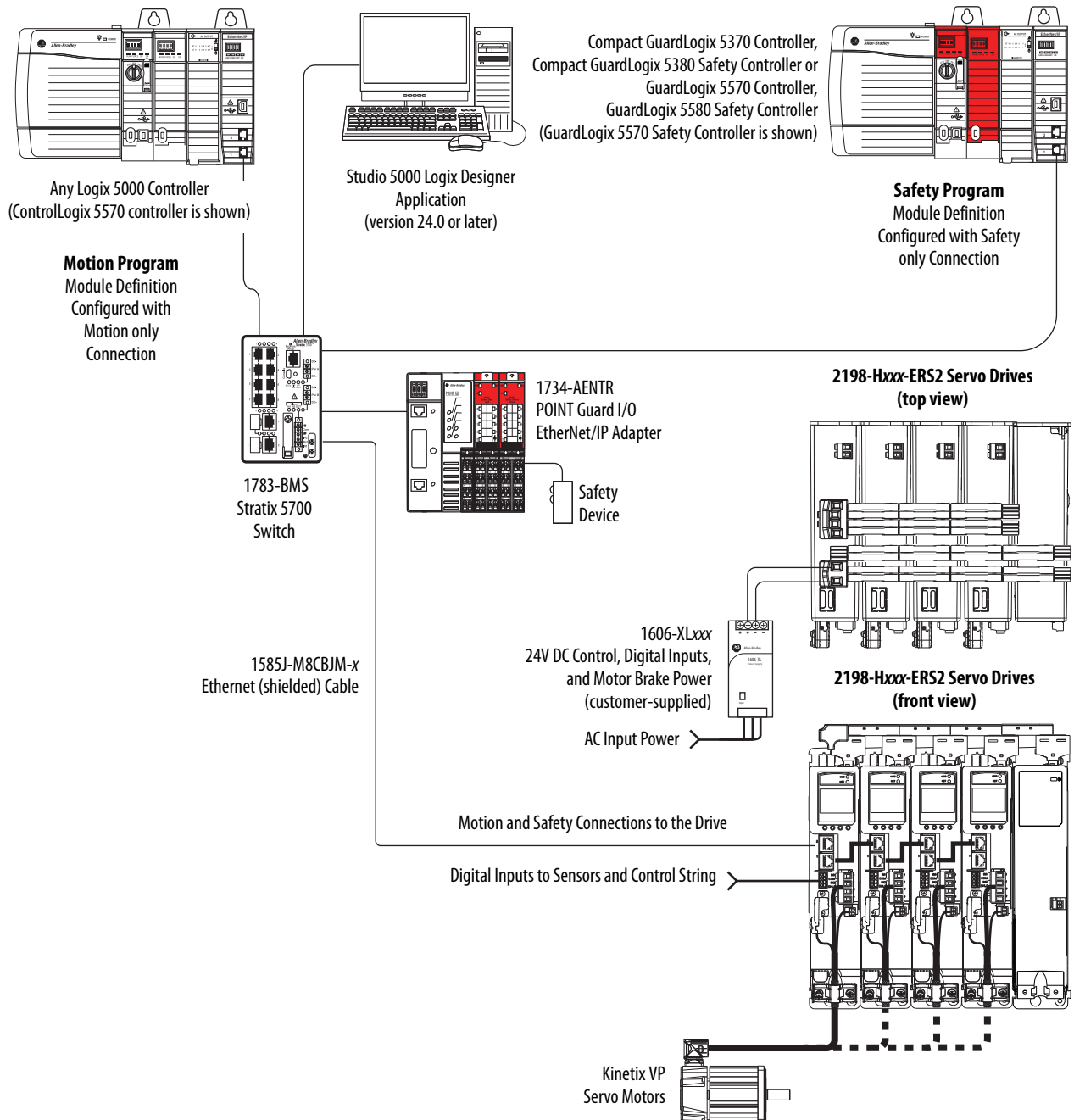
Figure 11 - Motion and Safety Configuration (single controller)



In this example, a non-safety controller makes the Motion-only connection and a separate GuardLogix safety controller makes the Safety-only connection with 2198-Hxxx-ERS2 integrated safety drives.

IMPORTANT If two controllers are used in an application with Motion-only and Safety-only connections, the Safety-only connection must be a GuardLogix 5570 or Compact GuardLogix 5370 safety controller and the Motion-only connection must be a ControlLogix 5570 or CompactLogix 5370 controller.

Figure 12 - Motion and Safety Configuration (multi-controller)



Catalog Number Explanation

Kinetix 5500 drive catalog numbers and performance descriptions.

Table 3 - Kinetix 5500 Servo Drive Catalog Numbers

Drive Cat. No. (hardwired STO)	Drive Cat. No. (integrated STO)	Frame Size	Input Voltage	Continuous Output Power kW	Continuous Output Current A 0-pk
2198-H003-ERS	2198-H003-ERS2	1	195...264V rms, single-phase 195...264V rms, three-phase 324...528V rms, three-phase	0.2 kW 0.3 kW 0.6 kW	1.4
2198-H008-ERS	2198-H008-ERS2			0.5 kW 0.8 kW 1.6 kW	
2198-H015-ERS	2198-H015-ERS2	2	195...264V rms, three-phase 324...528V rms, three-phase	1.0 kW 1.5 kW 3.2 kW	7.1
2198-H025-ERS	2198-H025-ERS2			2.4 kW 5.1 kW	
2198-H040-ERS	2198-H040-ERS2			4.0 kW 8.3 kW	
2198-H070-ERS	2198-H070-ERS2	3		7.0 kW 14.6 kW	32.5

Table 4 - Capacitor Module Catalog Number

Capacitor Module Cat. No.	Frame Size	Rated Voltage	Capacitance
2198-CAPMOD-1300	2	650V DC, nom	1360 μ F, min

Table 5 - Shared-bus Connector Kit Catalog Numbers

Kit Cat. No.	Frame Size	Application	Description
2198-H040-ADP-IN	Frame 1 or 2	First drive	<ul style="list-style-type: none"> Mains AC input wiring connector 24V DC input wiring connector DC bus T-connector
2198-H040-A-T	Next drive is... Frame 1 drives: 2198-H003-ERSx 2198-H008-ERSx Frame 2 drives: 2198-H015-ERSx 2198-H025-ERSx 2198-H040-ERSx	AC sharing only	AC bus T-connector
2198-H040-D-T		DC sharing only	DC bus T-connector
2198-H040-P-T		Control power sharing only	Control power T-connector
2198-H040-AD-T		AC and DC-bus sharing	AC and DC bus T-connectors
2198-H040-AP-T		AC and control power sharing	AC and control power T-connectors
2198-H040-DP-T		DC and control power sharing	DC and control power T-connectors
2198-H040-ADP-T		AC, DC, and control power sharing	AC, DC, and control power T-connectors
2198-H070-ADP-IN		Frame 3 drive: 2198-H070-ERSx	First drive
2198-H070-A-T	Next drive is... Frame 3 drives: 2198-H070-ERSx	AC sharing only	AC bus T-connector
2198-H070-D-T		DC sharing only	DC bus T-connector
2198-H070-P-T		Control power sharing only	Control power T-connector
2198-H070-AD-T		AC and DC-bus sharing	AC and DC bus T-connectors
2198-H070-AP-T		AC and control power sharing	AC and control power T-connectors
2198-H070-DP-T		DC and control power sharing	DC and control power T-connectors
2198-H070-ADP-T		AC, DC, and control power sharing	AC, DC, and control power T-connectors

Agency Compliance

If this product is installed within the European Union and has the CE mark, the following regulations apply.



ATTENTION: Meeting CE requires a grounded system and the method of grounding the AC line filter and drive must match. Failure to do this renders the filter ineffective and can cause damage to the filter. For grounding examples, refer to [Grounded Power Configurations](#) on [page 75](#).

For more information on electrical noise reduction, refer to the System Design for Control of Electrical Noise Reference Manual, publication [GMC-RM001](#).

To meet CE requirements, these requirements apply:

- Install an AC line filter (catalog number 2198-DBxxF or 2198-DBRxx-F). For specific pairing information for input power as close to the Kinetix 5500 drive as possible, see Kinetix Servo Drives Specifications Technical Data, publication [KNX-TD003](#).
- Bond drive, capacitor module, and line filter grounding screws by using a braided ground strap as shown in [Figure 43 on page 80](#).
- Use Bulletin 2090 single motor cables with Kinetix VP servo motors and actuators. Use Bulletin 2090 motor power/brake and feedback cables for other compatible Allen-Bradley motors and actuators.
- Combined motor cable length for all axes on the same DC bus must not exceed 250 m (820 ft). Drive-to-motor cables must not exceed 50 m (164 ft); however, use of continuous-flex cable and 2198-H2DCK converter kit limits the maximum length.

Table 6 - Drive-to-Motor Maximum Cable Length

Kinetix 5500 Servo Drive Cat. No.	Kinetix VP Servo Motors m (ft)		Other Compatible Rotary Motors/Linear Actuators ⁽²⁾
	Standard (non-flex) Cables Cat. No. 2090-CSxM1DF-xxAAxx Cat. No. 2090-CSxM1DG-xxxAxx Cat. No. 2090-CSxM1E1-xxVAxx	Continuous-flex Cables ⁽¹⁾ Cat. No. 2090-CSBM1DF-xxAFxx Cat. No. 2090-CSBM1DG-xxxFxx Cat. No. 2090-CSBM1E1-xxxFxx	Bulletin 2090 Motor/Actuator Cables ⁽³⁾ Cat. No. 2090-CxxM7DF m (ft)
2198-H003-ERSx 2198-H008-ERSx	50 (164)	30 (98.4)	20 (65.6)
2198-H015-ERSx 2198-H025-ERSx 2198-H040-ERSx	50 (164)		
2198-H070-ERSx	50 (164)		

(1) When using any continuous-flex cable (whether extension or flying-lead) in your application, the maximum cable length including any standard (non-flex) cable back to the drive, is 30 m (98.4 ft).
 (2) Requires use of the 2198-H2DCK Hiperface-to-DSL (series B or later) feedback converter kit.
 (3) The 20 m (65.6 ft) limitation is attributed to the 2090-CPxM7DF power/brake cable. In 2198-H2DCK converter kit applications, you can replace the 2090-CPxM7DF power/brake cable with a 2090-CSxM1DF or 2090-CSxM1DG single motor cable (and reuse the 2090-CFBM7DF feedback cable) to increase the maximum cable length to 50 m (164 ft). This applies to only 18 and 14 AWG single cables. 2090-CSBM1Dx-10xxxx (10 AWG/M40 connector) single cables are not compatible with 2090-CPBM7DF-10Axxx (10 AWG/M40 connector) power/brake cables.

- Install the Kinetix 5500 system inside an approved enclosure. Run input power wiring in conduit (grounded to the enclosure) outside of the enclosure. Separate signal and power cables.
- Segregate input power wiring from control wiring and motor cables.

Refer to Appendix A on [page 193](#) for input power wiring and drive/motor interconnect diagrams.

Plan the Kinetix 5500 Drive System Installation

This chapter describes system installation guidelines used in preparation for mounting your Kinetix® 5500 drive components.

Topic	Page
System Design Guidelines	32
Electrical Noise Reduction	41



ATTENTION: Plan the installation of your system so that you can perform all cutting, drilling, tapping, and welding with the system removed from the enclosure. Because the system is of the open type construction, be careful to keep metal debris from falling into it. Metal debris or other foreign matter can become lodged in the circuitry and result in damage to the components.

System Design Guidelines

Use the information in this section when designing your enclosure and planning to mount your system components on the panel.

For on-line product selection and system configuration tools, including AutoCAD (DXF) drawings of the product, refer to <https://www.rockwellautomation.com/global/support/selection.page>.

System Mounting Requirements

- To comply with UL and CE requirements, the Kinetix 5500 drive systems must be enclosed in a grounded conductive enclosure offering protection as defined in standard IEC 60529 to IP20 such that they are not accessible to an operator or unskilled person. A NEMA 4X enclosure exceeds these requirements providing protection to IP66.
To maintain the functional safety rating of the Kinetix 5700 drive system, this enclosure must be appropriate for the environmental conditions of the industrial location and provide a protection class of IP54 or higher.
- The panel that you install inside the enclosure for mounting your system components must be on a flat, rigid, vertical surface that won't be subjected to shock, vibration, moisture, oil mist, dust, or corrosive vapors in accordance with pollution degree 2 (IEC 61800-5-1) because the product is rated to protection class IP20 (IEC 60529).
- Size the drive enclosure so as not to exceed the maximum ambient temperature rating. Consider heat dissipation specifications for all drive components.
- Combined motor power cable length for all axes on the same DC bus must not exceed 250 m (820 ft). Drive-to-motor cables must not exceed 50 m (164 ft), however use of continuous-flex cable and 2198-H2DCK converter kit limits the maximum length. Refer to [Table 6](#) on [page 30](#) for specifications by frame size.

IMPORTANT System performance was tested at these cable length specifications. These limitations also apply when meeting CE requirements.

- Use high-frequency (HF) bonding techniques to connect the modules, enclosure, machine frame, and motor housing, and to provide a low-impedance return path for high-frequency (HF) energy and reduce electrical noise.

Bond drive, capacitor module, and line filter grounding screws by using a braided ground strap as shown in [Figure 43](#) on [page 80](#).

Refer to the System Design for Control of Electrical Noise Reference Manual, publication [GMC-RM001](#), to better understand the concept of electrical noise reduction.

AC Line Filter Selection

An AC line filter is required to meet CE requirements. Install an AC line filter for input power as close to the 2198-Hxxx-ERSx drive as possible.

IMPORTANT AC line filters are only recommended with grounded WYE power configurations. For facility power configuration examples, see [Determine the Input Power Configuration](#) on [page 75](#).

Table 7 - AC Line Filter Selection

Kinetix Drive Module Cat. No.	AC Line Filter Cat. No.
2198-H003-ERSx 2198-H008-ERSx 2198-H015-ERSx	2198-DB08-F
2198-H025-ERSx 2198-H040-ERSx	<ul style="list-style-type: none"> • 2198-DBR20-F or • 2198-DB20-F
2198-H070-ERSx	<ul style="list-style-type: none"> • 2198-DBR40-F or • 2198-DB42-F

IMPORTANT Use 2198-DBxx-F line filters only as field replacements in existing installations. Select 2198-DBRxx-F line filters for all new systems or to replace existing 2198-DBxx-F line filters. This does not apply to 2198-DB08-F line filters.

Table 8 - AC Line Filter Selection for Shared AC and Shared AC/DC and Hybrid Multi-axis Systems

Kinetix 5500 Drives Cat. No.	Drive Voltage, (three-phase) nom	AC Line Filter Cat. No.						
		2 Axes	3 Axes	4 Axes	5 Axes	6 Axes	7 Axes	8 Axes
2198-H003-ERSx	240/480V	2198-DBR20-F						
2198-H008-ERSx	240/480V	2198-DBR20-F						
2198-H015-ERSx	240/480V	2198-DBR20-F				–		
2198-H025-ERSx	240/480V	2198-DBR40-F				–		
2198-H040-ERSx	240/480V	2198-DBR40-F	2198-DBR90-F		–			
2198-H070-ERSx	240/480V	2198-DBR90-F	–					

Transformer Selection

The servo drive does not require an isolation transformer for three-phase input power. However, a transformer can be required to match the voltage requirements of the drive to the available service.

To size a transformer for the main AC power inputs, refer to the Kinetix 5500 power specifications in the Kinetix Servo Drives Technical Data, publication [KNX-TD003](#).

IMPORTANT When using an autotransformer, make sure that the phase to neutral/ground voltage does not exceed the input voltage ratings of the drive.

IMPORTANT Use a form factor of 1.5 for three-phase power (where form factor is used to compensate for transformer, drive module, and motor losses, and to account for utilization in the intermittent operating area of the torque speed curve).

IMPORTANT A line reactor must be used if the source transformer is greater than 150 KVA, max and 3% impedance, min.

EXAMPLE Sizing a transformer to the voltage requirements of this drive:
2198-H040-ERSx = 8.4 kW = 12.6 KVA transformer.

Circuit Breaker/Fuse Selection

The Kinetix 5500 drives use internal solid-state motor short-circuit protection and, when protected by suitable branch circuit protection, are rated for use on a circuit capable of delivering up to 200,000 A (fuses) and 65,000 A (circuit breakers).

Refer to [Power Wiring Examples](#), on [page 194](#), for the wiring diagram.



ATTENTION: Do not use circuit protection devices on the output of an AC drive as an isolating disconnect switch or motor overload device. These devices are designed to operate on sine wave voltage and the drive's PWM waveform does not allow it to operate properly. As a result, damage to the device occurs.

Standalone Drive Systems

Kinetix 5500 Drives			UL Applications		IEC (non-UL) Applications	
Drive Cat. No.	Drive Voltage, nom	Phase	Bussmann Fuses Cat. No.	Molded Case CB Cat. No.	DIN gG Fuses Amps (max)	Molded Case CB Cat. No.
2198-H003-ERSx	240V	Single-phase	KTK-R-2	140U-D6D2-B10	2	140U-D6D2-B10
	240/480V	Three-phase	KTK-R-3	140U-D6D3-B20	4	140U-D6D3-B20
2198-H008-ERSx	240V	Single-phase	KTK-R-5	140U-D6D2-B20	6	140U-D6D2-B20
	240/480V	Three-phase	KTK-R-7	140U-D6D3-B60	6	140U-D6D3-B60
2198-H015-ERSx	240V	Single-phase	KTK-R-10	140U-D6D2-B80	10	140U-D6D2-B80
	240/480V	Three-phase	KTK-R-15	140U-D6D3-C12	16	140U-D6D3-C12
2198-H025-ERSx	240/480V	Three-phase	KTK-R-20	140U-D6D3-C20	20	140U-D6D3-C20
2198-H040-ERSx	240/480V	Three-phase	KTK-R-25	140U-D6D3-C25	25	140U-D6D3-C25
2198-H070-ERSx	240/480V	Three-phase	LPJ-35SP	140G-G6C3-C40	35	140G-G6C3-C40

Shared DC (common-bus) Drive Systems

Kinetix 5500 Drives Cat. No.	Drive Voltage, (three-phase) nom	UL Applications		IEC (non-UL) Applications	
		Bussmann Fuses Cat. No.	Molded Case CB Cat. No.	DIN gG Fuses Amps (max)	Molded Case CB Cat. No.
2198-H003-ERSx	240/480V	KTK-R-10	140U-D6D3-C15	10	140U-D6D3-C15
2198-H008-ERSx	240/480V	KTK-R-10	140U-D6D3-C15	10	140U-D6D3-C15
2198-H015-ERSx	240/480V	KTK-R-15	140U-D6D3-C15	16	140U-D6D3-C15
2198-H025-ERSx	240/480V	KTK-R-20	140U-D6D3-C20	20	140U-D6D3-C20
2198-H040-ERSx	240/480V	KTK-R-25	140U-D6D3-C25	25	140U-D6D3-C25
2198-H070-ERSx	240/480V	LPJ-35SP	140G-G6C3-C40	35	140G-G6C3-C40

*Shared AC Drive Systems***Table 9 - Input Power UL Circuit-protection Specifications**

Kinetix 5500 Drives Cat. No.	Drive Voltage, (three-phase) nom	Bussmann Fuses Cat. No.				Molded Case CB Cat. No.			
		2 Axes	3 Axes	4 Axes	5 Axes	2 Axes	3 Axes	4 Axes	5 Axes
2198-H003-ERSx	240/480V	KTK-R-15				140U-D6D3-C15			
2198-H008-ERSx	240/480V	KTK-R-15				140U-D6D3-C15			
2198-H015-ERSx	240/480V	KTK-R-20	KTK-R-25	–	–	140U-D6D3-C15	140U-D6D3-C20	–	–
2198-H025-ERSx	240/480V	KTK-R-30		–	–	140U-D6D3-C25	140U-D6D3-C30	–	–
2198-H040-ERSx	240/480V	LPJ-35SP	LPJ-45SP	–	–	140G-G6C3-C40	140G-G6C3-C50	–	–
2198-H070-ERSx	240/480V	LPJ-60SP	–	–	–	140G-G6C3-C60	–	–	–

Table 10 - Input Power IEC (non-UL) Circuit-protection Specifications

Kinetix 5500 Drives Cat. No.	Drive Voltage, (three-phase) nom	DIN gG Fuses Amps (max)				Molded Case CB Cat. No.			
		2 Axes	3 Axes	4 Axes	5 Axes	2 Axes	3 Axes	4 Axes	5 Axes
2198-H003-ERSx	240/480V	16				140U-D6D3-C15			
2198-H008-ERSx	240/480V	16				140U-D6D3-C15			
2198-H015-ERSx	240/480V	20	25	–		140U-D6D3-C15	140U-D6D3-C20	–	
2198-H025-ERSx	240/480V	32		–		140U-D6D3-C25	140U-D6D3-C30	–	
2198-H040-ERSx	240/480V	35	50			140G-G6C3-C40	140G-G6C3-C50	–	
2198-H070-ERSx	240/480V	63	–			140G-G6C3-C60	–		

Shared AC/DC and Hybrid Systems

Table 11 - Input Power UL Circuit-protection Specifications

Kinetix 5500 Drives Cat. No.	Drive Voltage, (three-phase) nom	Bussmann Fuse Cat. No.						Molded Case CB Cat. No.					
		2 Axes	3 Axes	4 Axes	5 Axes	6 Axes	7 Axes	8 Axes	2 Axes	3 Axes	4 Axes	5 Axes	6 Axes
2198-H003-ERSx	240/480V	KTK-R-10				KTK-R-15		140U-D6D3-C15					
2198-H008-ERSx	240/480V	KTK-R-15			KTK-R-20			140U-D6D3-C15				140U-D6D3-C20	
2198-H015-ERSx	240/480V	KTK-R-20			–			140U-D6D3-C15	140U-D6D3-C20	–			
2198-H025-ERSx	240/480V	KTK-R-30			–			140U-D6D3-C20	140U-D6D3-C30	–			
2198-H040-ERSx	240/480V	KTK-R-30	LPJ-45SP	LPJ-50SP	–			140U-D6D3-C30	140G-G6C3-C50	–			
2198-H070-ERSx	240/480V	LPJ-50SP	–				140G-G6C3-C50		–				

Table 12 - Input Power IEC (non-UL) Circuit-protection Specifications

Kinetix 5500 Drives Cat. No.	Drive Voltage, (three-phase) nom	DIN gG Fuses Amps (max)						Molded Case CB Cat. No.					
		2 Axes	3 Axes	4 Axes	5 Axes	6 Axes	7 Axes	8 Axes	2 Axes	3 Axes	4 Axes	5 Axes	6 Axes
2198-H003-ERSx	240/480V	10				16		140U-D6D3-C15					
2198-H008-ERSx	240/480V	16			20			140U-D6D3-C15				140U-D6D3-C20	
2198-H015-ERSx	240/480V	20			–			140U-D6D3-C15	140U-D6D3-C20	–			
2198-H025-ERSx	240/480V	32			–			140U-D6D3-C20	140U-D6D3-C30	–			
2198-H040-ERSx	240/480V	32	50	–			140U-D6D3-C30	140G-G6C3-C50	–				
2198-H070-ERSx	240/480V	50	–				140G-G6C3-C50		–				

24V Control Power Evaluation

The Kinetix 5500 drive system requires 24V DC input for its control circuitry. Due to the 24V shared-bus connection system and the 24V current requirements of the Kinetix 5500 drives, a thorough evaluation of control power is required prior to implementation. Consider the following when sizing such a system:

- Verify that the 24V DC power supply is capable of supplying the 24V current requirements of your Kinetix 5500 drive system. See [Control Power Current Calculations](#) on [page 224](#) to determine the 24V current requirements.

For systems with a high 24V current demand, consider installing a separate 24V power supply for each bus group or change the bus group configuration to more evenly divide the 24V current demand.

- Verify that the wiring being used is capable of supplying the Kinetix 5500 drive system with a voltage within the 24V input-voltage range; 24V \pm 10% (21.6...26.4V DC). Consider the following:
 - Mount the 24V power supply as close to the Kinetix 5500 drive system as possible to minimize input voltage drop.
 - Install larger gauge wire, up to 2.5 mm² (14 AWG) for 24V control power when using the CP connectors included with the module; or use the 24V shared-bus connection system to lower the DC wire resistance with up to 10 mm² (6 AWG) and result in a lower voltage drop.

IMPORTANT The 24V current demand, wire gauge, and wire length all impact the voltage drop across the wiring being used.

Contactors Selection

You can use an AC three-phase contactor to supply AC input power to the Kinetix 5500 drive. Follow these guidelines when selecting a contactor for your drive system.

- Make sure the contactor is capable of supporting a higher amp rating than the input fuse/circuit breaker you selected from the tables in [Circuit Breaker/Fuse Selection](#) on [page 34](#)
- Select a contactor with a voltage rating and SCCR rating appropriate for your drive installation
- Do not cycle power to the contactor more than once per minute to help prevent damage to the Kinetix 5500 drive

Passive Shunt Considerations

The Kinetix 5500 drives all include an internal shunt that is wired to the shunt resistor (RC) connector at the factory. Bulletin 2097-Rx external passive shunts are available to provide additional shunt capacity for applications where the internal shunt capacity is exceeded.

IMPORTANT Keep the internal shunt wires connected unless you have an external passive shunt to connect.

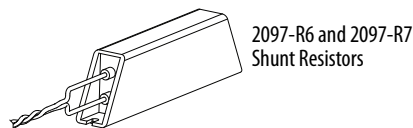
Table 13 - Bulletin 2097 Passive Shunt Options

Kinetix 5500 Drives Cat. No.	Internal Shunt Specifications		External Shunt Resistor ⁽¹⁾ Compatibility Cat. No.	
	Ω	W	2097-R7	2097-R6
2198-H003-ERSx	100	30	X	–
2198-H008-ERSx			X	–
2198-H015-ERSx	60	50	X	–
2198-H025-ERSx			X	–
2198-H040-ERSx			–	X
2198-H070-ERSx	40	75	–	X

(1) Shunt resistor selection is based on the needs of your actual hardware configuration.

Catalog numbers 2097-R6 and 2097-R7 are shunt resistors without an enclosure.

Figure 13 - External Passive Shunts



External Shunt Module Specifications

Shunt Module Cat. No.	Resistance Ω	Continuous Power W	Weight, approx kg (lb)
2097-R6	75	150	0.3 (0.7)
2097-R7	150	80	0.2 (0.4)

How the Bulletin 2097-Rx shunts connect to Kinetix 5500 drives is explained in [External Passive-shunt Resistor Connections](#) on [page 105](#) and illustrated with interconnect diagrams in [Shunt Resistor Wiring Example](#) on [page 198](#).

Enclosure Selection

This example is provided to assist you in sizing an enclosure for your Kinetix 5500 drive system. You need heat dissipation data from all components planned for your enclosure to calculate the enclosure size (refer to [Table 14](#)).

With no active method of heat dissipation (such as fans or air conditioning) either of the following approximate equations can be used.

Metric	Standard English
$A = \frac{0.38Q}{1.8T - 1.1}$	$A = \frac{4.08Q}{T - 1.1}$
Where T is temperature difference between inside air and outside ambient (°C), Q is heat generated in enclosure (Watts), and A is enclosure surface area (m ²). The exterior surface of all six sides of an enclosure is calculated as	Where T is temperature difference between inside air and outside ambient (°F), Q is heat generated in enclosure (Watts), and A is enclosure surface area (ft ²). The exterior surface of all six sides of an enclosure is calculated as
$A = 2dw + 2dh + 2wh$	$A = (2dw + 2dh + 2wh) / 144$
Where d (depth), w (width), and h (height) are in meters.	

If the maximum ambient rating of the Kinetix 5500 drive system is 50 °C (122 °F) and if the maximum environmental temperature is 20 °C (68 °F), then T=30. In this example, the total heat dissipation is 416 W (sum of all components in enclosure). So, in the equation below, T=30 and Q=416.

$$A = \frac{0.38 (416)}{1.8(30) - 1.1} = 2.99 \text{ m}^2$$

In this example, the enclosure must have an exterior surface of at least 2.99 m². If any portion of the enclosure is not able to transfer heat, do not include that value in the calculation.

Because the minimum cabinet depth to house the Kinetix 5500 system (selected for this example) is 300 mm (11.8 in.), the cabinet needs to be approximately 1500 x 700 x 300 mm (59.0 x 27.6 x 11.8 in.) HxWxD.

$$1.5 \times (0.300 \times 0.70) + 1.5 \times (0.300 \times 2.0) + 1.5 \times (0.70 \times 2.0) = 3.31 \text{ m}^2$$

Because this cabinet size is considerably larger than what is necessary to house the system components, it can be more efficient to provide a means of cooling in a smaller cabinet. Contact your cabinet manufacturer for options available to cool your cabinet.

Table 14 - Power Dissipation Specifications

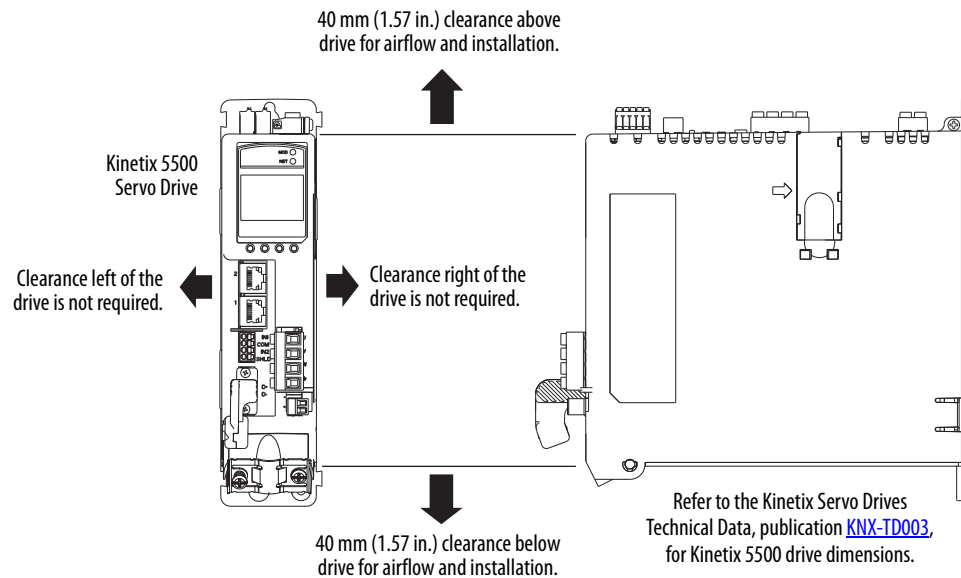
Kinetix 5500 Drive Cat. No.	Frame Size	Usage as % of Rated Power Output (watts)				
		20%	40%	60%	80%	100%
2198-H003-ERSx	1	12	25	37	50	62
2198-H008-ERSx						
2198-H015-ERSx	2	40	80	120	160	200
2198-H025-ERSx						
2198-H040-ERSx						
2198-H070-ERSx	3	64	128	192	256	320

Minimum Clearance Requirements

This section provides information to assist you in sizing your cabinet and positioning your Kinetix 5500 drive:

- Additional clearance is required for cables and wires or the shared-bus connection system connected to the top of the drive.
- Additional clearance is required if other devices are installed above and/or below the drive and have clearance requirements of their own.
- Additional clearance left and right of the drive is required when mounted adjacent to noise sensitive equipment or clean wire ways.
- The recommended minimum cabinet depth is 300 mm (11.81 in.).

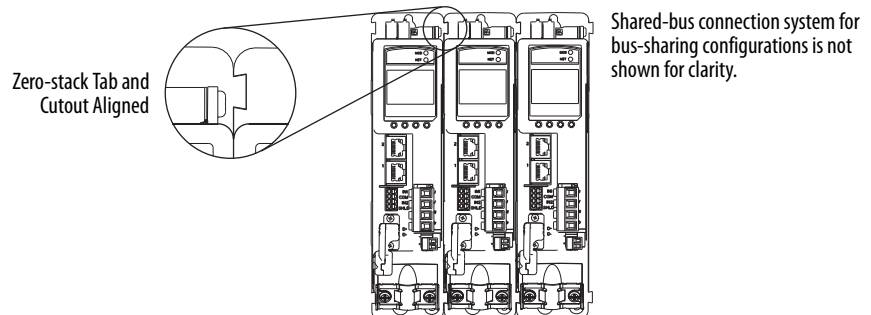
Figure 14 - Minimum Clearance Requirements



IMPORTANT Mount the drive in an upright position as shown. Do not mount the drive on its side.

In multi-axis shared-bus configurations, drives must be spaced by aligning the zero-stack tab and cutout.

Figure 15 - Multi-axis Shared-bus Clearance Requirements



Electrical Noise Reduction

This section outlines best practices that minimize the possibility of noise-related failures as they apply specifically to Kinetix 5500 system installations. For more information on the concept of high-frequency (HF) bonding, the ground plane principle, and electrical noise reduction, refer to the System Design for Control of Electrical Noise Reference Manual, publication [GMC-RM001](#).

Bonding Modules

Bonding is the practice of connecting metal chassis, assemblies, frames, shields, and enclosures to reduce the effects of electromagnetic interference (EMI).

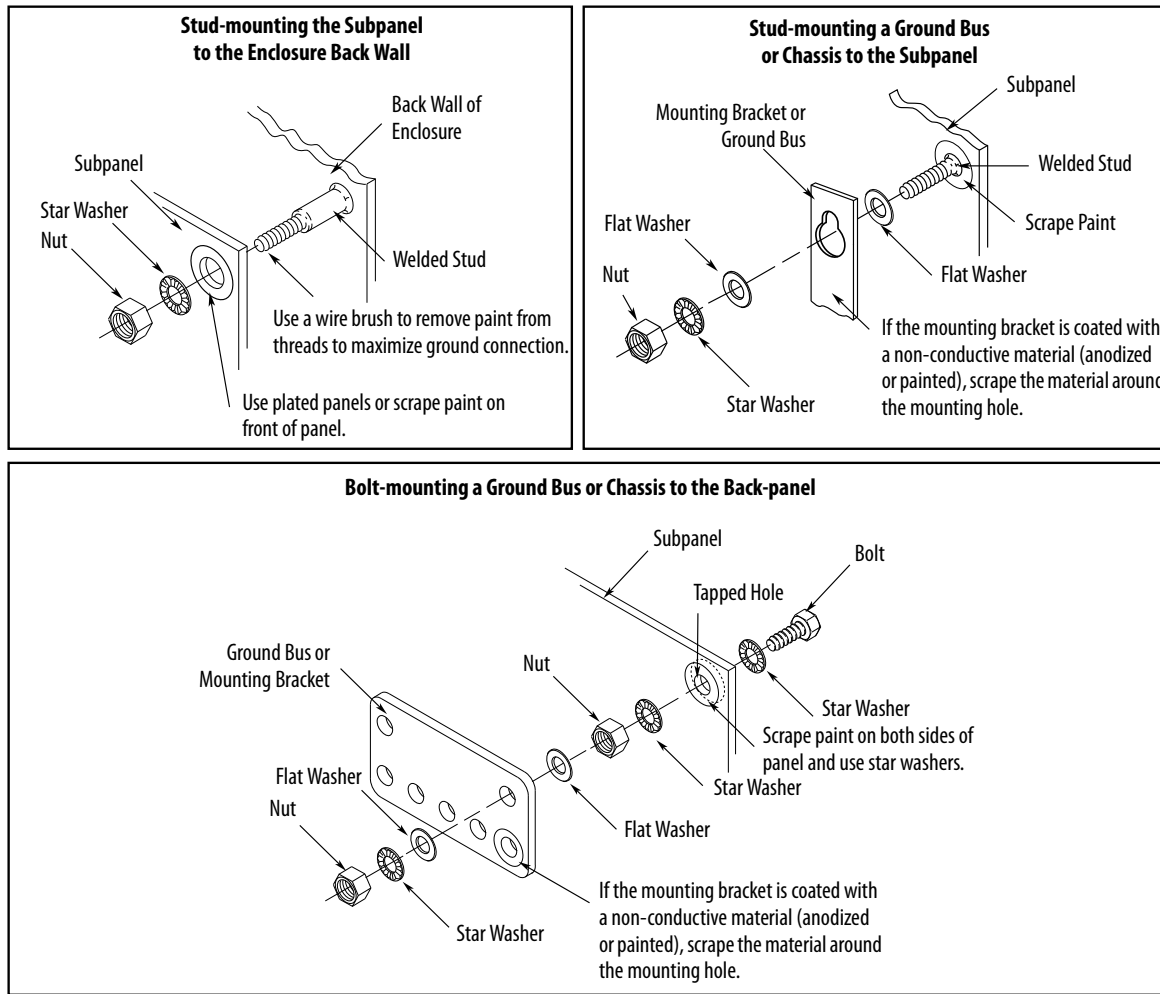
Unless specified, most paints are not conductive and act as insulators. To achieve a good bond between power rail and the subpanel, surfaces need to be paint-free or plated. Bonding metal surfaces creates a low-impedance return path for high-frequency energy.

IMPORTANT To improve the bond between the power rail and subpanel, construct your subpanel out of zinc plated (paint-free) steel.

Improper bonding of metal surfaces blocks the direct return path and allows high-frequency energy to travel elsewhere in the cabinet. Excessive high-frequency energy can effect the operation of other microprocessor controlled equipment.

These illustrations show details of recommended bonding practices for painted panels, enclosures, and mounting brackets.

Figure 16 - Recommended Bonding Practices for Painted Panels

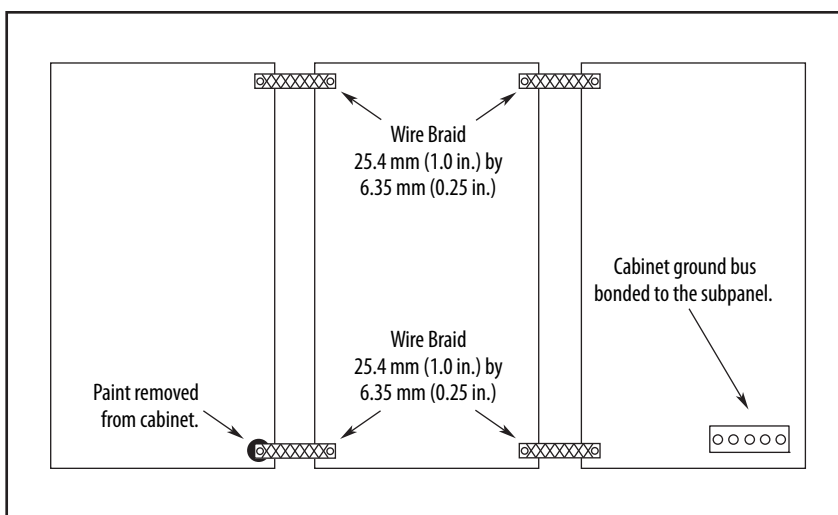


Bonding Multiple Subpanels

Bonding multiple subpanels creates a common low impedance exit path for the high frequency energy inside the cabinet. Subpanels that are not bonded together do not necessarily share a common low impedance path. This difference in impedance can affect networks and other devices that span multiple panels:

- Bond the top and bottom of each subpanel to the cabinet by using 25.4 mm (1.0 in.) by 6.35 mm (0.25 in.) wire braid. As a rule, the wider and shorter the braid is, the better the bond.
- Scrape the paint from around each fastener to maximize metal-to-metal contact.

Figure 17 - Multiple Subpanels and Cabinet Recommendations

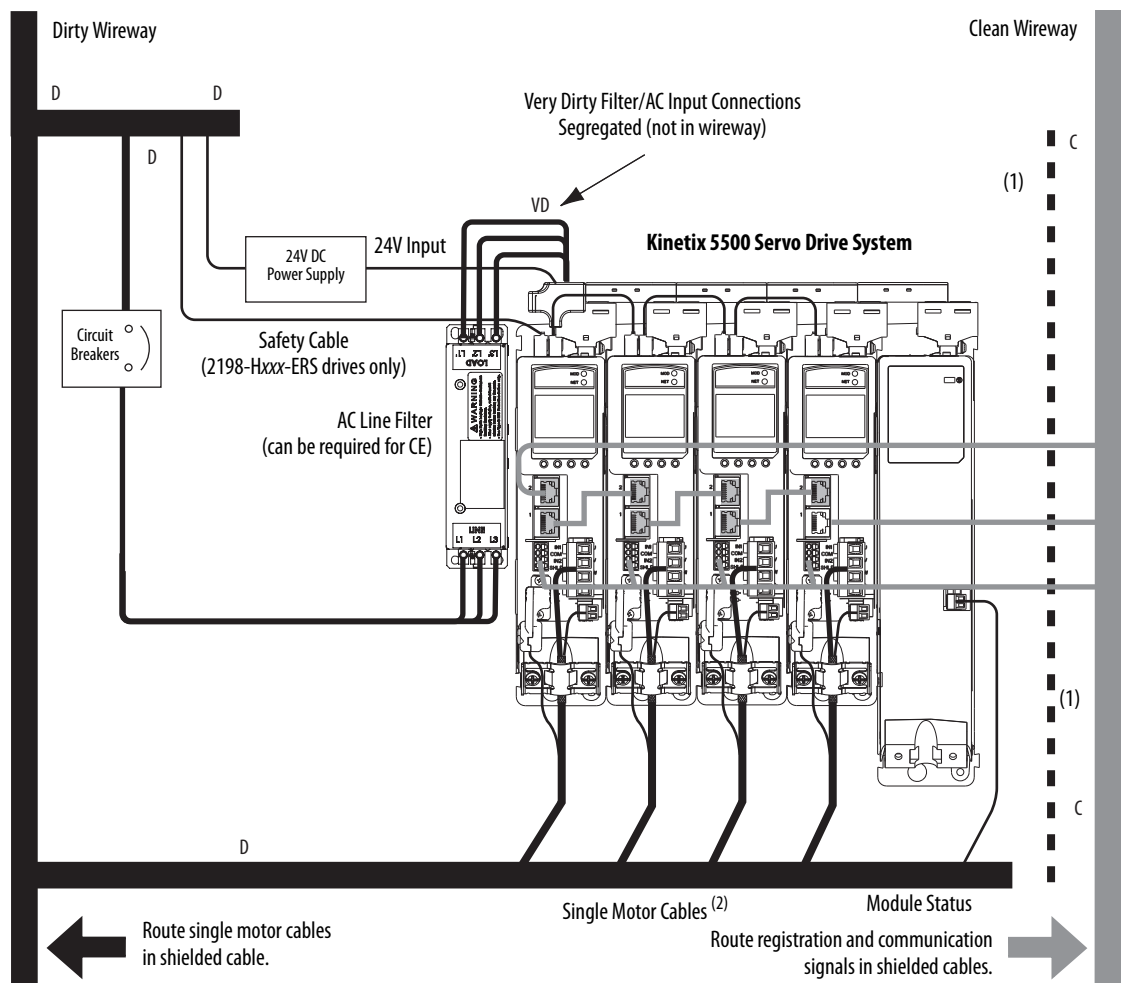


Establishing Noise Zones

Observe these guidelines when routing cables used in the Kinetix 5500 system:

- The clean zone (C) is right of the drive system and includes the digital inputs wiring and Ethernet cable (gray wireway).
- The dirty zone (D) is above and below the drive system (black wireways) and includes the circuit breakers, 24V DC power supply, safety, and motor cables.
- The very dirty zone (VD) is limited to where the AC line (EMC) filter VAC output jumpers over to the drive (or first drive in multi-axis systems). Shielded cable is required only if the very dirty cables enter a wireway.

Figure 18 - Noise Zones



- (1) When space to the right of the drive does not permit 150 mm (6.0 in.) segregation, use a grounded steel shield instead. For examples, refer to the System Design for Control of Electrical Noise Reference Manual, publication [GMC-RM001](#).
- (2) When 2198-H2DCK converter kit is used, feedback cable routes in the clean wireway.

Cable Categories for Kinetix 5500 Systems

These tables indicate the zoning requirements of cables connecting to the Kinetix 5500 drive components.

Table 15 - Kinetix 5500 Drive

Wire/Cable		Connector	Zone			Method	
			Very Dirty	Dirty	Clean	Ferrite Sleeve	Shielded Cable
L1, L2, L3 (shielded cable)		IPD	–	X	–	–	X
L1, L2, L3 (unshielded cable)			X	–	–	–	–
DC-/DC+ (DC bus)		DC	Bus-bar only, no wiring connector.				
DC+/SH (shunt)		RC	–	X	–	–	–
U, V, W (motor power)	Kinetix VP motors/ actuators	MP	–	X	–	–	X
Motor feedback		MF	–	X	–	–	X
Motor brake		BC	–	X	–	–	X
U, V, W (motor power)	Kinetix MP motors/ actuators	MP	–	X	–	–	X
Motor feedback ⁽¹⁾		MF	–	–	X	–	X
Motor brake		BC	–	X	–	–	X
24V DC		CP	–	X	–	–	–
Safety enable for safe torque-off (hardwired) ⁽²⁾		STO	–	X	–	–	–
Registration input	IOD	IOD	–	–	X	–	X
Dedicated digital inputs (other than registration inputs)			–	X	–	–	–
Ethernet		PORT1 PORT2	–	–	X	–	X

(1) When the 2198-H2DCK converter kit is used, the feedback cable routes in the clean wireway.

(2) STO connector applies to only 2198-Hxxx-ERS (hardwired) servo drives.

Table 16 - Capacitor Module

Wire/Cable		Connector	Zone			Method	
			Very Dirty	Dirty	Clean	Ferrite Sleeve	Shielded Cable
DC-/DC+ (DC bus)		DC	Bus-bar only, no wiring connector.				
24V DC		CP	–	X	–	–	–
Module status		MS	–	X	–	–	–

Noise Reduction Guidelines for Drive Accessories

Refer to this section when mounting an AC (EMC) line filter or external passive-shunt resistor for guidelines designed to reduce system failures caused by excessive electrical noise.

AC Line Filters

Observe these guidelines when mounting your AC (EMC) line filter (refer to the figure on [page 44](#) for an example):

- Mount the AC line filter on the same panel as the Kinetix 5500 drive and as close to the drive as possible.
- Good HF bonding to the panel is critical. For painted panels, refer to the examples on [page 42](#).
- Segregate input and output wiring as far as possible.

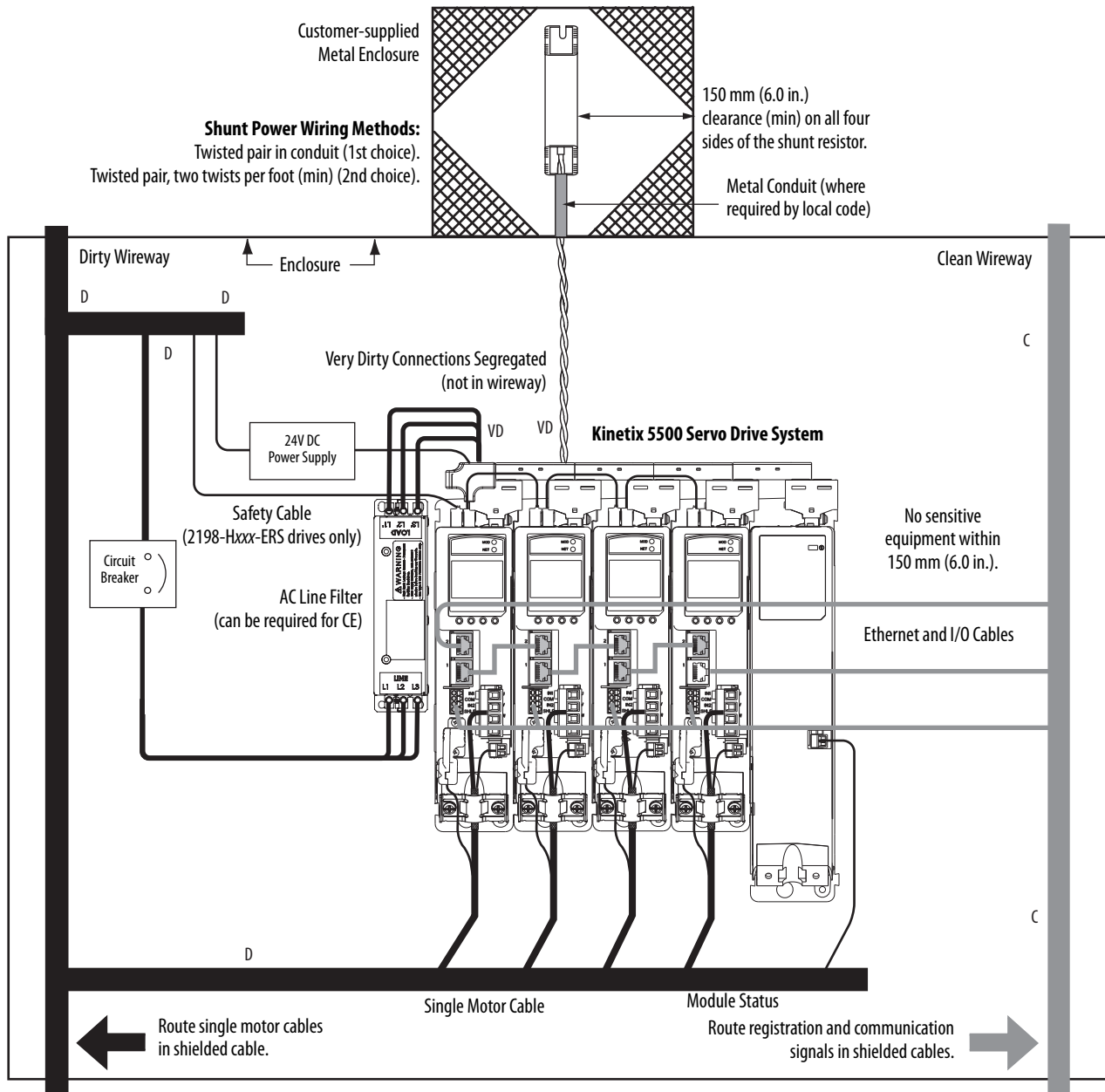
IMPORTANT CE test certification applies to only the AC line filter used with a single drive or the line filter used in multi-axis drive configurations. Sharing a line filter with more than one multi-axis drive configuration can perform satisfactorily, but the customer takes legal responsibility.

External Passive Shunt Resistor

Observe these guidelines when mounting your Bulletin 2097 external passive-shunt resistor outside of the enclosure:

- Mount shunt resistor and wiring in the very dirty zone or in an external shielded enclosure.
- Mount resistors in a shielded and ventilated enclosure outside of the cabinet.
- Keep unshielded wiring as short as possible. Keep shunt wiring as flat to the cabinet as possible.

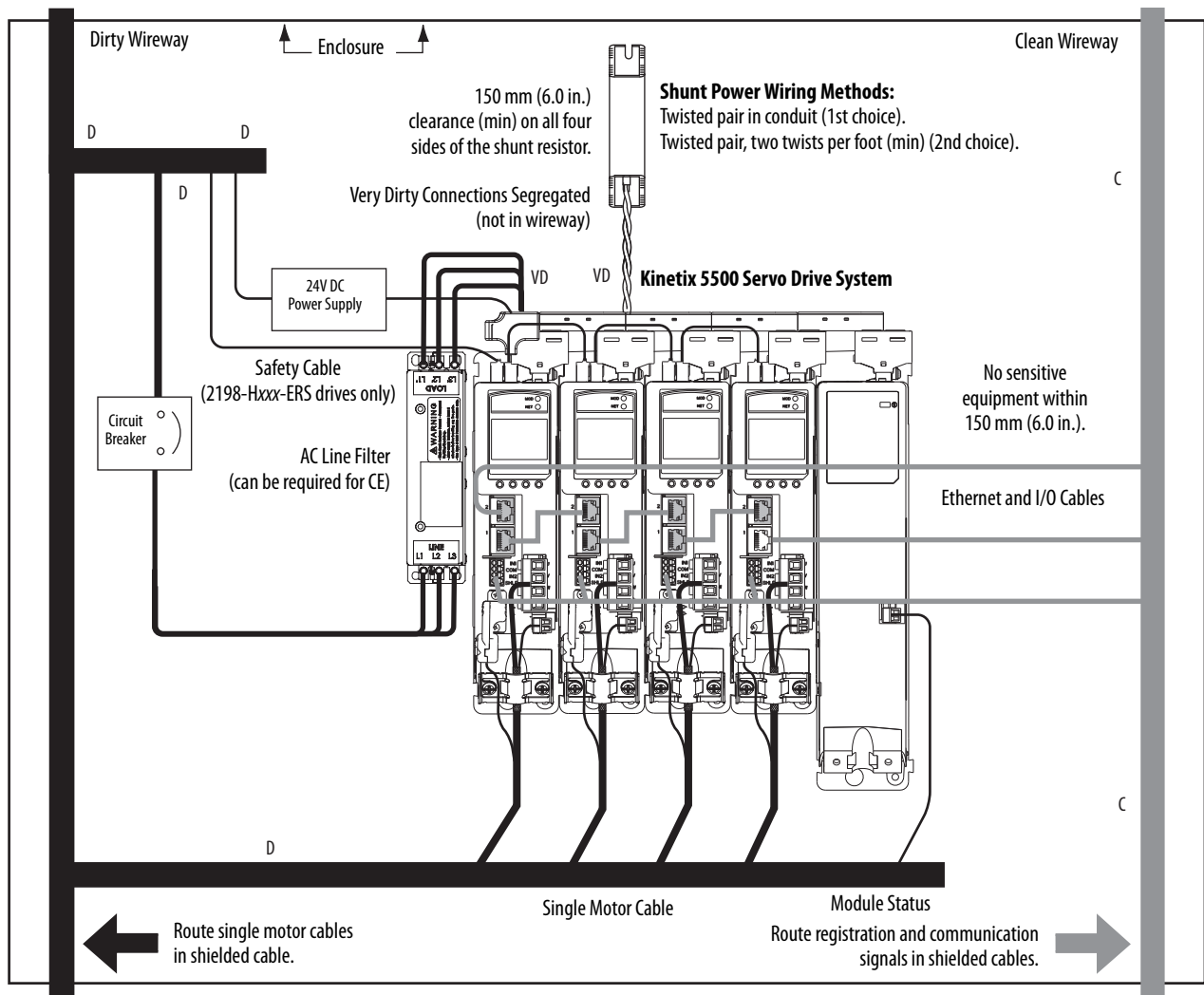
Figure 19 - External Shunt Resistor Outside the Enclosure



When mounting your Bulletin 2097 passive-shunt resistor inside the enclosure, follow these additional guidelines:

- Mount metal-clad modules anywhere in the dirty zone, but as close to the Kinetix 5500 drive as possible.
- Route shunt power wires with other very dirty wires.
- Keep unshielded wiring as short as possible. Keep shunt wiring as flat to the cabinet as possible.
- Separate shunt power cables from other sensitive, low voltage signal cables.

Figure 20 - External Shunt Resistor Inside the Enclosure



Mount the Kinetix 5500 Drive System

This chapter provides the system installation procedures for mounting your Kinetix® 5500 drives to the system panel.

Topic	Page
Determine Mounting Order	50
Drill-hole Patterns	53
Mount Your Kinetix 5500 Drive	60

This procedure assumes you have prepared your panel and understand how to bond your system. For installation instructions regarding equipment and accessories not included here, refer to the instructions that came with those products.



SHOCK HAZARD: To avoid hazard of electrical shock, perform all mounting and wiring of the Kinetix 5500 drives prior to applying power. Once power is applied, connector terminals can have voltage present even when not in use.



ATTENTION: Plan the installation of your system so that you can perform all cutting, drilling, tapping, and welding with the system removed from the enclosure. Because the system is of the open type construction, be careful to keep metal debris from falling into it. Metal debris or other foreign matter can become lodged in the circuitry and result in damage to the components.

Determine Mounting Order

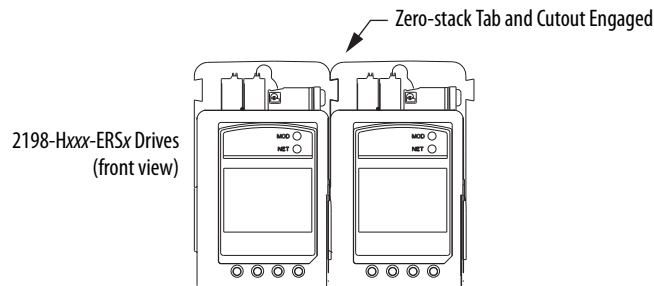
Mount drives in order (left to right) according to power rating (highest to lowest) starting with the highest power rating. If power rating is unknown, position drives (highest to lowest) from left to right based on amp rating.

Zero-stack Tab and Cutout

Engaging the zero-stack tab and cutout from drive-to-drive makes efficient use of panel space for installations with multiple drives.

IMPORTANT Engaging the zero-stack tab and cutout from drive-to-drive is required for shared-bus multi-axis drive systems. This is done to make sure the drive connectors are spaced properly to accept the shared-bus connection system.

Figure 21 - Zero-stack Tab and Cutout Example

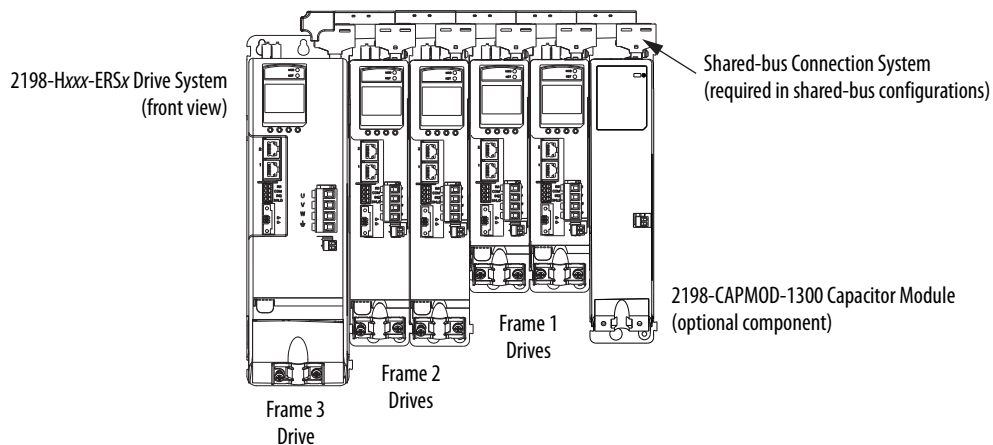


For the zero-stack feature to engage properly (when more than one frame size exists in the drive system) frame 3 drives must mount left of frame 1 or 2 drives, and frame 2 drives must mount left of frame 1 drives.

Capacitor modules can mount to the right of any frame size, but are always rightmost in any drive configuration.

IMPORTANT Mount drives in descending order, left to right, according to frame size with capacitor modules always mounted on the far right.

Figure 22 - Shared-bus Connection System Example



Shared-bus Connection System

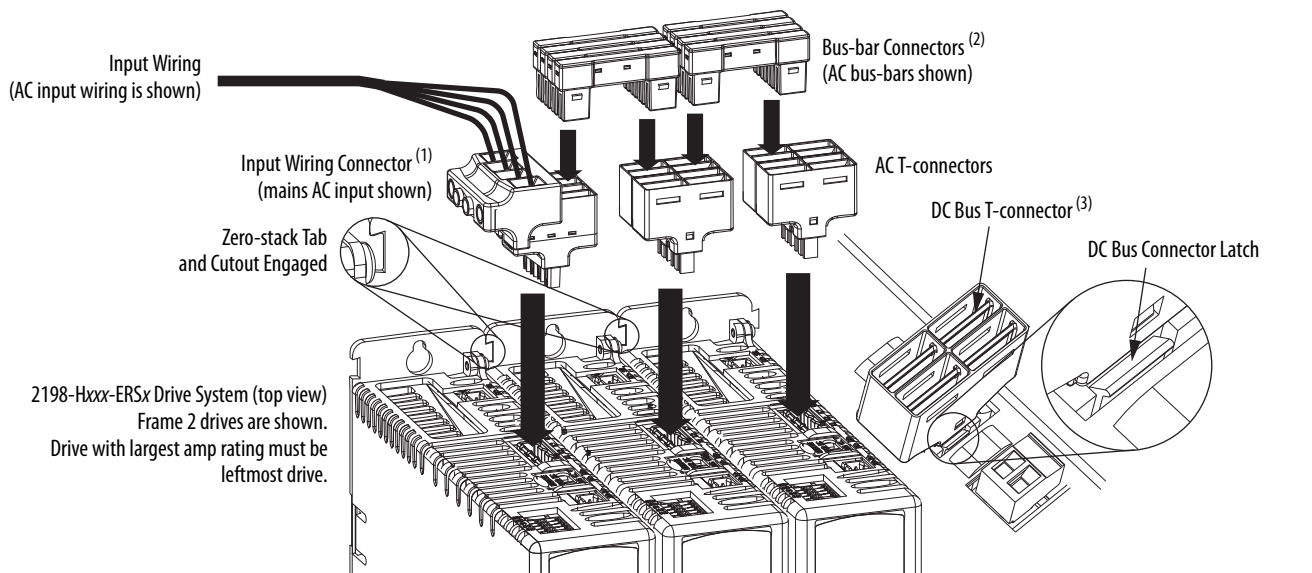
The shared-bus connection system is used to extend the mains AC input, 24V control input, and the DC bus power from drive-to-drive in shared-bus multi-axis configurations.

IMPORTANT When the shared-bus connection system is used, the zero-stack tab and cutout must be engaged between adjacent drives.

The connection system is comprised of three components:

- Input wiring connectors that plug into the leftmost drive and receive input wiring for mains AC and 24V DC.
- AC bus, DC bus, and 24V DC T-connectors that plug into the drives downstream from the first where AC, DC, and/or 24V control power is shared. DC bus T-connectors also plug into the first drive where DC bus power is shared.
- Bus bars that connect between drives to extend the mains AC bus, DC bus, and 24V DC control power from drive-to-drive.

Figure 23 - Connection System Example



- (1) Due to the higher amp rating of frame 3 drives, input wiring connectors for frame 3 drives (catalog number 2198-H070-ADP-IN) are slightly larger than connectors for frame 1 and 2 drives (catalog number 2198-H040-ADP-IN).
- (2) Due to the extra width of frame 3 drives, bus-bar connectors between frame 3 drives are slightly longer (85 mm) than connectors between frame 3, frame 2, and frame 1 drives (55 mm).
- (3) DC bus T-connectors latch on both sides when inserted into the drive. To remove the DC bus T-connector, at least one latch must be pried away with a non-conductive probe.

The three components assemble from left to right across the drive system.

1. Attach wiring to input wiring connectors.
2. Insert input wiring connectors and T-connectors into the appropriate drive connectors.
3. Insert bus-bars to connect between wiring connectors and T-connectors.

Single-axis Configurations

The following restrictions exist for standalone (single-axis) configurations:

- Standalone (single-axis) drives can be mounted to the panel individually or by using the zero-stack tab and cutout (refer to [Figure 23 on page 51](#))
- The shared-bus connection system does not apply and must not be used

For a single-axis example configuration, refer to [Typical Kinetix 5500 Standalone Installation](#) on [page 17](#).

Multi-axis Configurations

Each multi-axis configuration has restrictions that apply:

- The shared-bus connection system must be used. Do not attach discrete wires from drive-to-drive.
- The maximum number of drives in Shared AC bus power-sharing groups cannot exceed 5.
- The maximum number of drives in any other bus power-sharing group cannot exceed 8.

For a multi-axis example configuration, refer to [Typical Shared AC/DC Bus Hybrid Installations](#) on [page 21](#).

Drill-hole Patterns

Hole patterns for drives mounted in zero-stack or shared-bus configuration are provided for mounting your drives to the panel. Drives with the highest power rating are always mounted to the left of any drive with a lower power rating in shared-bus configurations:

- Frame 1 drives can be followed by only another frame 1 drive.
- Frame 2 drives can be followed by frame 1 drives or another frame 2 drive.
- Frame 3 drives can be followed by frame 1, frame 2, or another frame 3 drive.
- Mount Bulletin 2198 capacitor modules in the rightmost position.
 - Capacitor modules have the same hole pattern as frame 2 drives.
 - Only Shared DC, Shared AC/DC, and Shared AC/DC, hybrid configurations are compatible with Bulletin 2198 capacitor modules.

Table 17 - Hole Pattern Overview

Drive Cat. No.	Frame Size	Frame Size Patterns	Page
2198-H003-ERSx 2198-H008-ERSx	Frame 1	As many as eight frame 1 drives	55
2198-H015-ERSx 2198-H025-ERSx 2198-H040-ERSx	Frame 2	As many as eight frame 2 drives One frame 2 drive followed by as many as seven frame 1 drives	
2198-H070-ERSx	Frame 3	As many as eight frame 3 drives	57
		One frame 3 drive followed by as many as seven frame 1 drives	58
		One frame 3 drive followed by as many as seven frame 2 drives	59

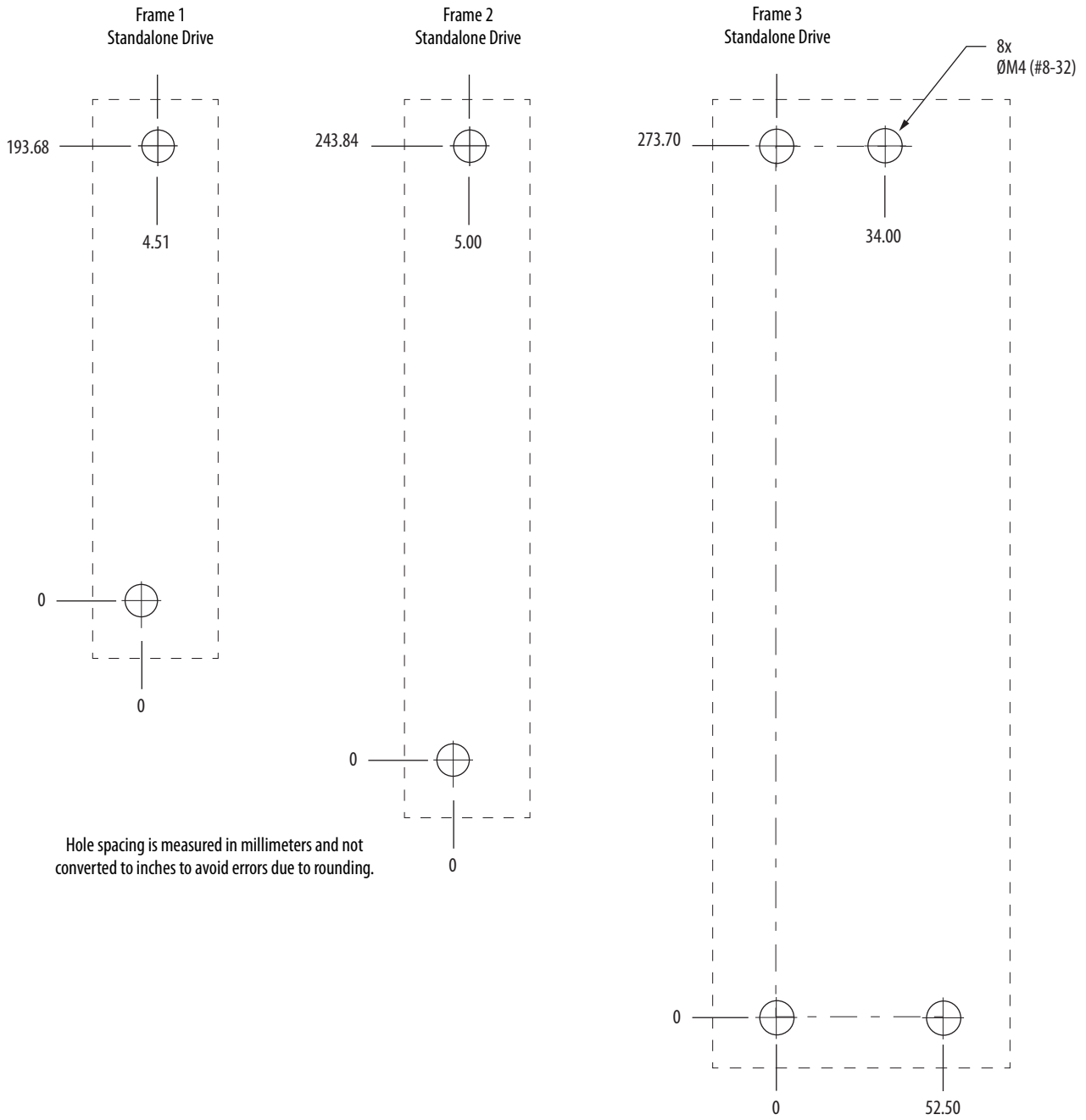
Table 18 - Capacitor Module Support

Drive Cat. No.	Frame Size	Standalone Single Phase Operation	Three-phase Operation			
			Standalone	Shared DC	Shared AC/DC	Shared AC/DC Hybrid
Number of capacitor modules connected, max						
2198-H003-ERSx ⁽¹⁾	1	0	0	2		
2198-H008-ERSx ⁽¹⁾			1			
2198-H015-ERSx ⁽¹⁾	2	N/A	3		4	
2198-H025-ERSx						
2198-H040-ERSx						
2198-H070-ERSx	3		4			

(1) Catalog number 2198-H003-ERS and any drive in standalone single-phase operation is not compatible with the Kinetix 5500 capacitor module.

These hole patterns apply to standalone drives.

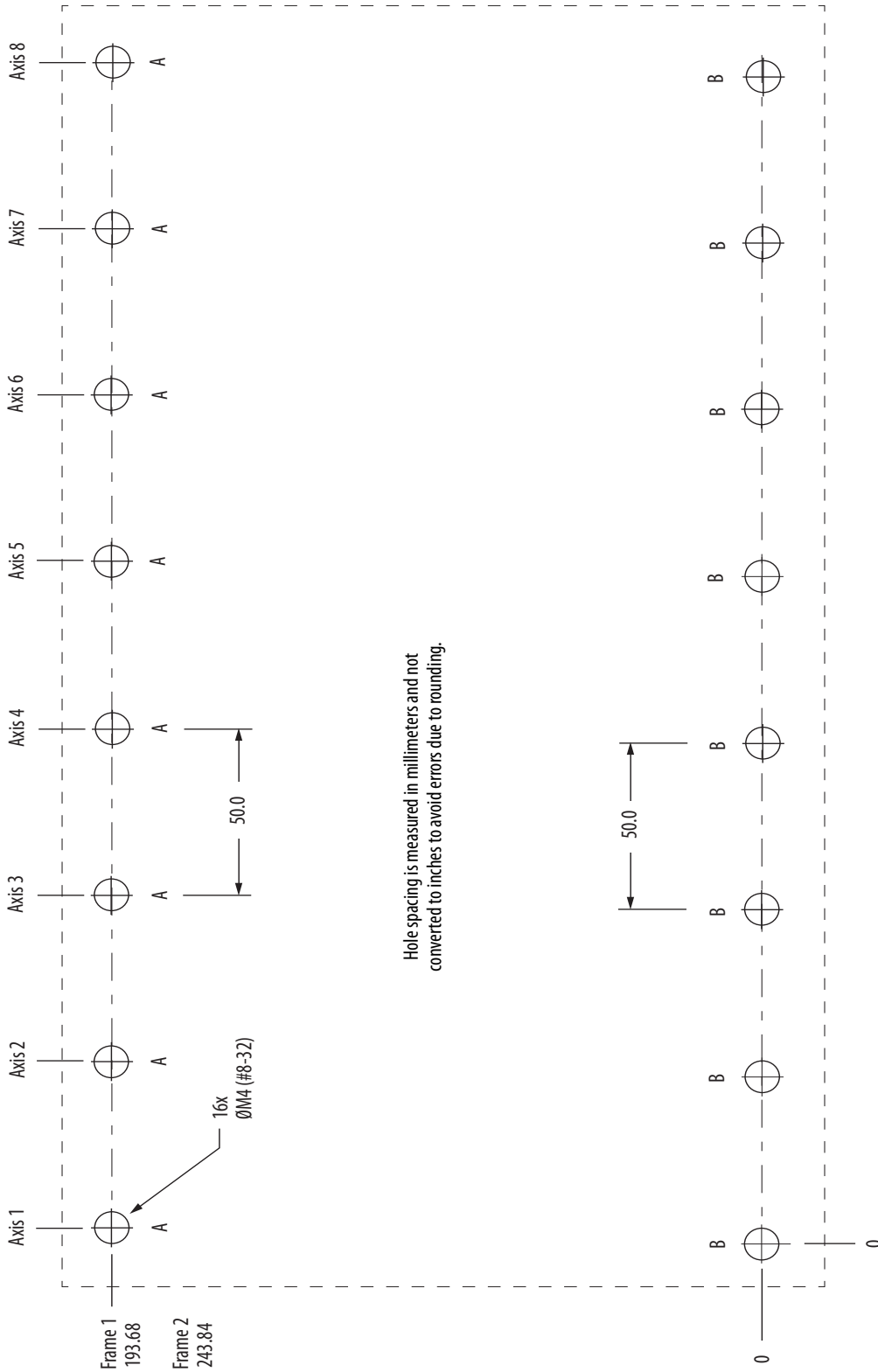
Figure 24 - Frame 1, Frame 2, and Frame 3 Standalone Hole Patterns



Hole spacing is measured in millimeters and not converted to inches to avoid errors due to rounding.

These hole patterns apply when all drives in the system are frame 1 or frame 2. There is 50 mm (2.0 in.) between mounting holes (A-to-A and B-to-B).

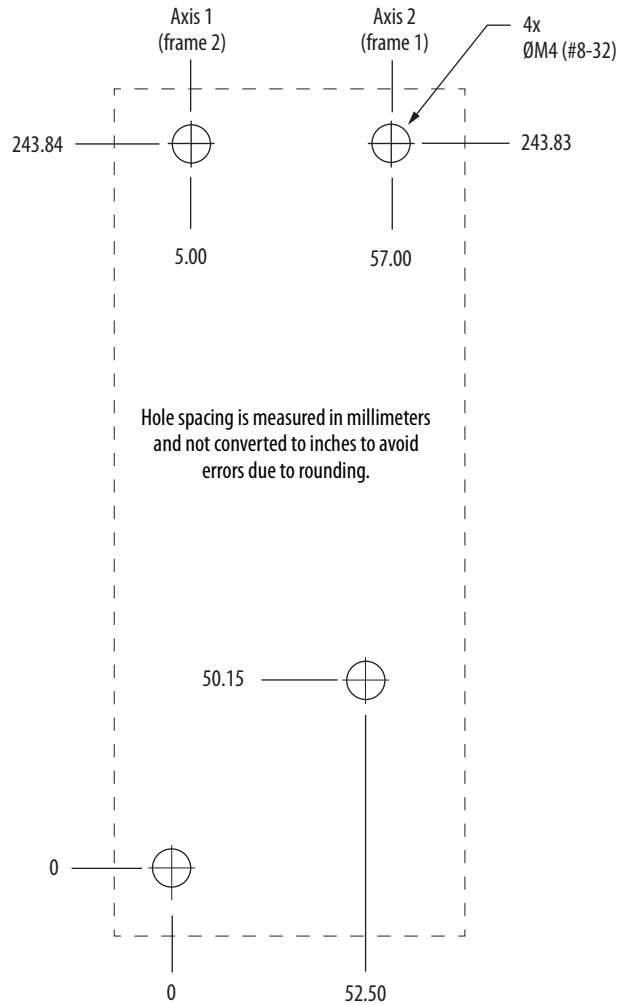
Figure 25 - Frame 1 and Frame 2 Hole Patterns



Frame Size	Dimension	Axis 1	Axis 2	Axis 3	Axis 4	Axis 5	Axis 6	Axis 7	Axis 8
1	A	4.51	54.51	104.51	154.51	204.51	254.51	304.51	354.51
	B	0	50.0	100.0	150.0	200.0	250.0	300.0	350.0
2	A	5.00	60.0	115.0	170.0	225.0	280.0	335.0	390.0
	B	0	55.0	110.0	165.0	220.0	275.0	330.0	385.0

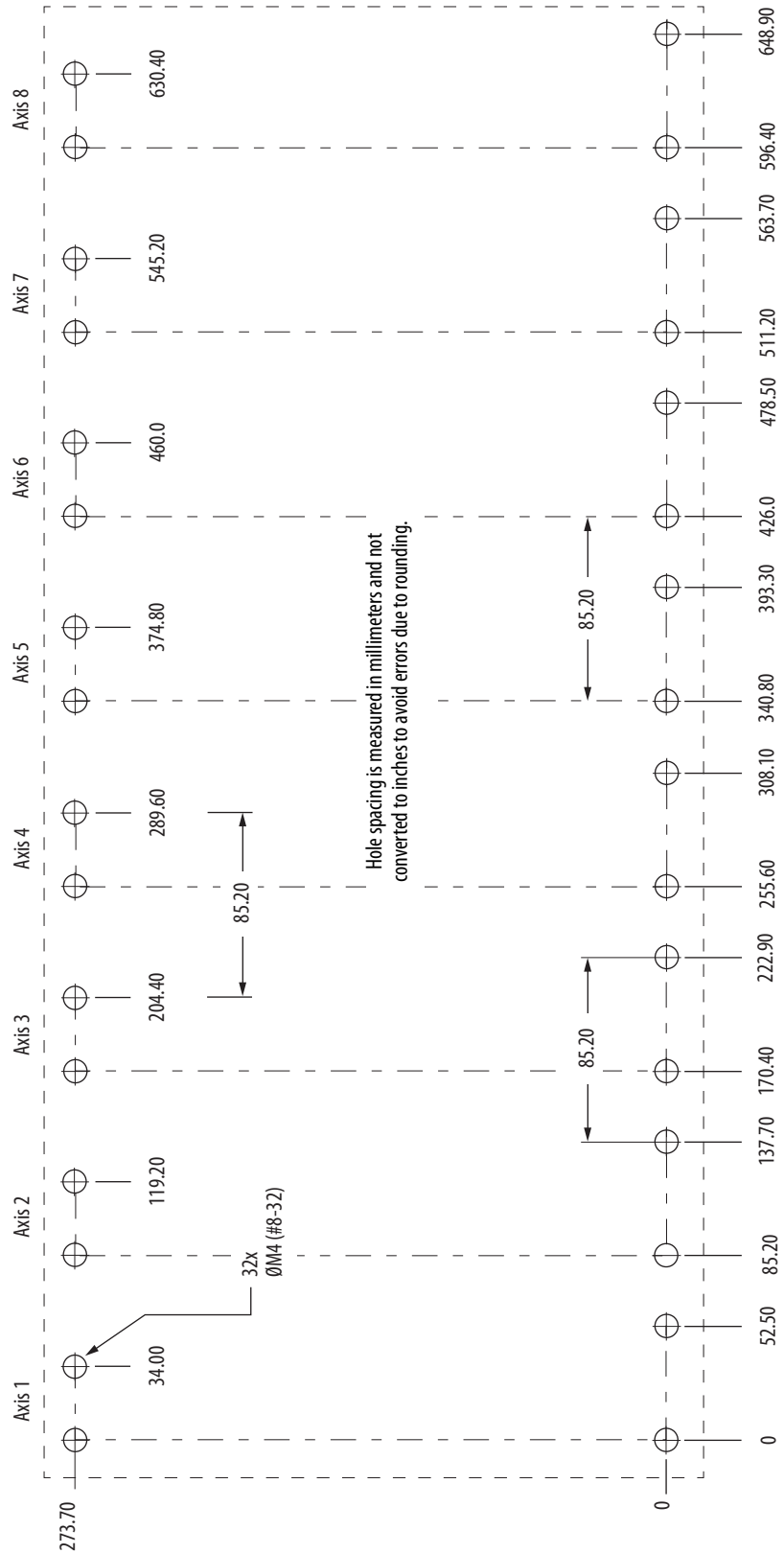
This hole pattern applies when transitioning from frame 2 drives to frame 1 drives. To mount additional frame 1 drives to the right of Axis 2 in this figure, refer to the frame 1 hole pattern in [Figure 25](#).

Figure 26 - Frame 2 to Frame 1 Hole Pattern



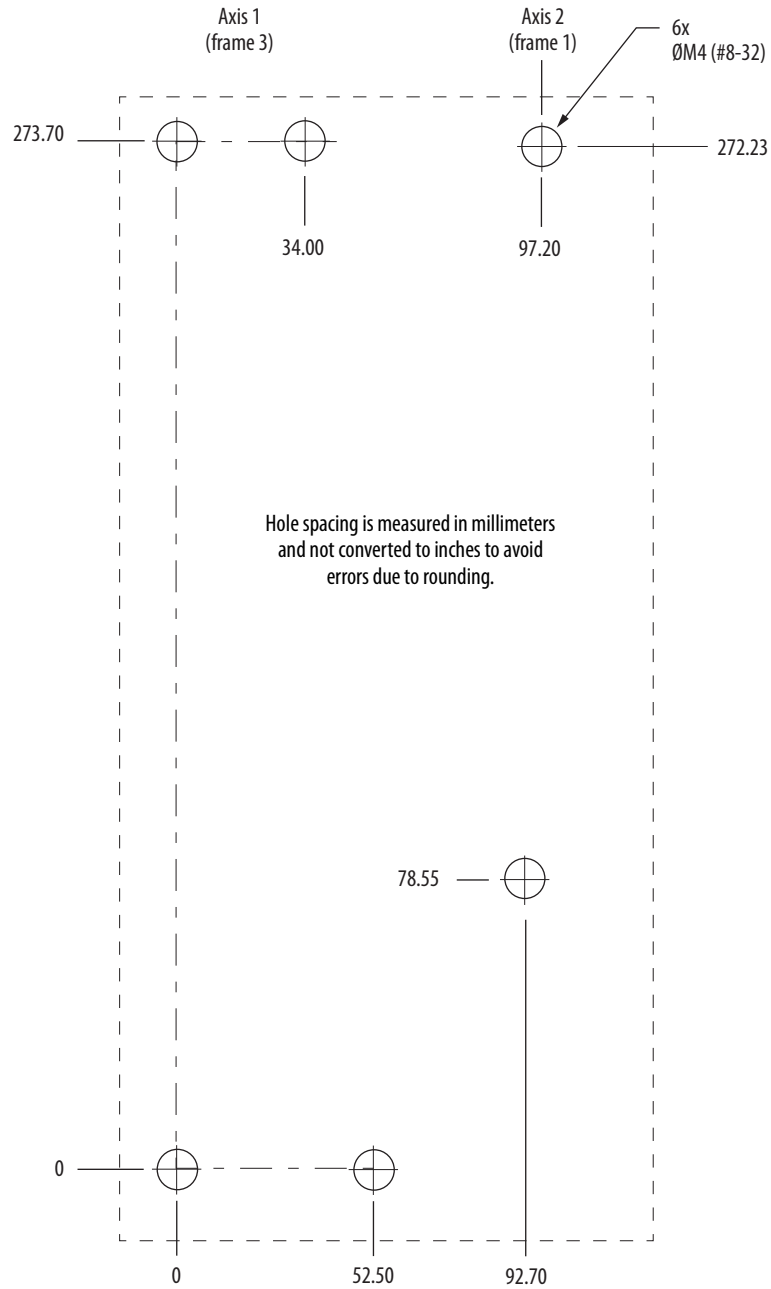
This hole pattern applies when all drives in the system are frame 3 drives. There is 85.20 mm (3.4 in.) between mounting holes, as shown.

Figure 27 - Frame 3 Hole Pattern



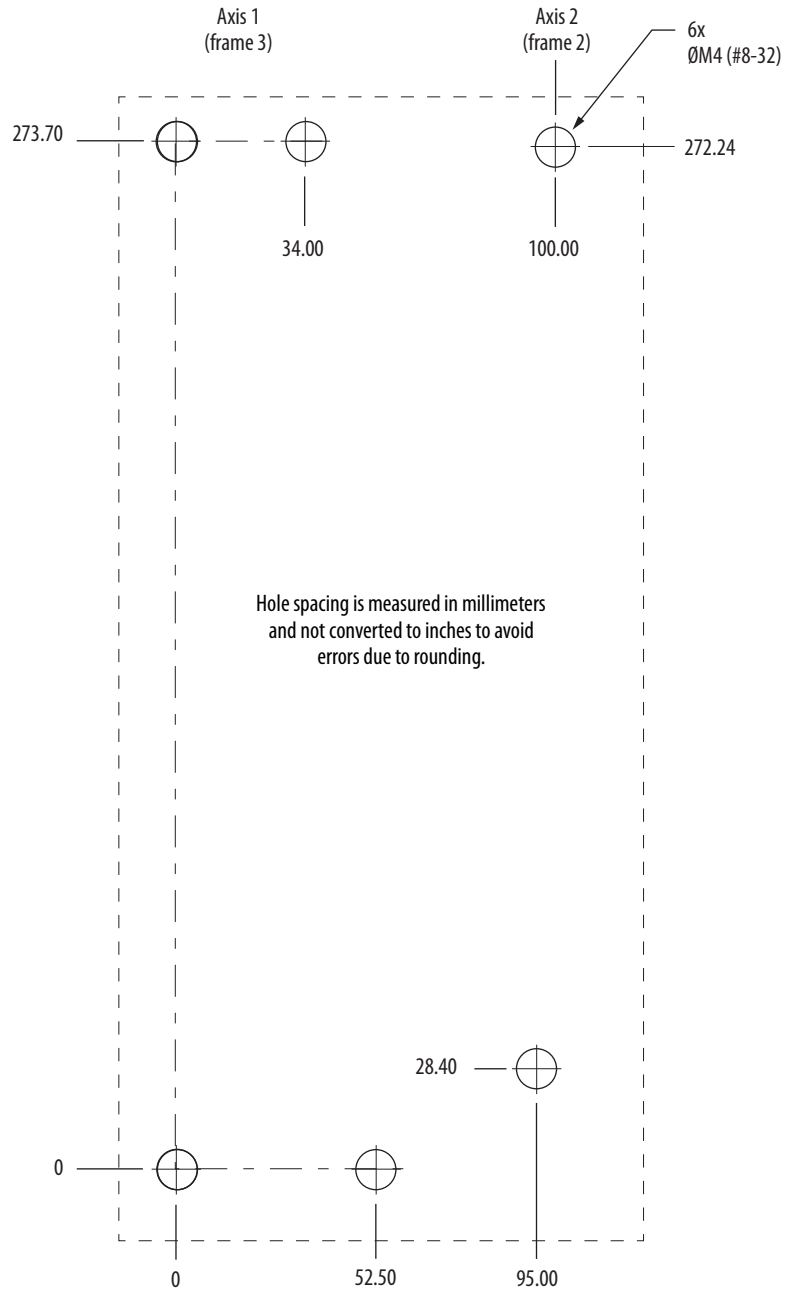
This hole pattern applies when transitioning from frame 3 drives to frame 1 drives. To mount additional frame 1 drives to the right of Axis 2 in this figure, refer to the frame 1 hole pattern in [Figure 25](#).

Figure 28 - Frame 3 to Frame 1 Hole Pattern



This hole pattern applies when transitioning from frame 3 drives to frame 2 drives. To mount additional frame 2 drives to the right of Axis 2 in this figure, refer to the frame 2 hole pattern in [Figure 25](#).

Figure 29 - Frame 3 to Frame 2 Hole Pattern



Mount Your Kinetix 5500 Drive

This procedure assumes you have prepared your panel and understand how to bond your system. For installation instructions regarding other equipment and accessories, refer to the instructions that came with those products.

Follow these steps to mount your Kinetix 5500 drives to the panel.

1. Lay out the hole pattern for each Kinetix 5500 drive in the enclosure.

Refer to [Establishing Noise Zones](#) on [page 44](#) for panel layout recommendations.

IMPORTANT To improve the bond between the Kinetix 5500 drive and subpanel, construct your subpanel out of zinc plated (paint-free) steel.

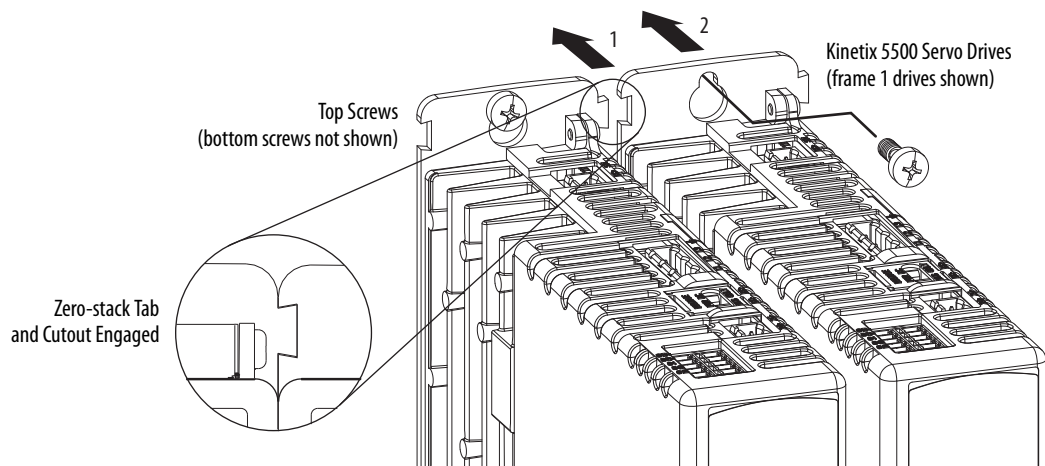
2. Drill holes in the panel for mounting your drive system.

Hole patterns, by frame size, are shown in [Drill-hole Patterns](#) beginning on [page 53](#).

3. Loosely attach the mounting hardware to the panel.

The recommended mounting hardware is M4 (#8-32) steel bolts. Observe bonding techniques as described in [Bonding Modules](#) on [page 41](#).

4. Attach the leftmost drive to the cabinet panel.



5. Attach additional drives (if any) just to the right of the previous drive by using the same method, but also making sure the zero-stack tabs and cutouts are engaged.

Zero-stack mounting is required based on configuration, refer to the [Zero-stack Tab and Cutout Example](#) on [page 50](#).

6. Tighten all mounting fasteners.

Apply 2.0 N•m (17.7 lb•in) maximum torque to each fastener.

Connector Data and Feature Descriptions

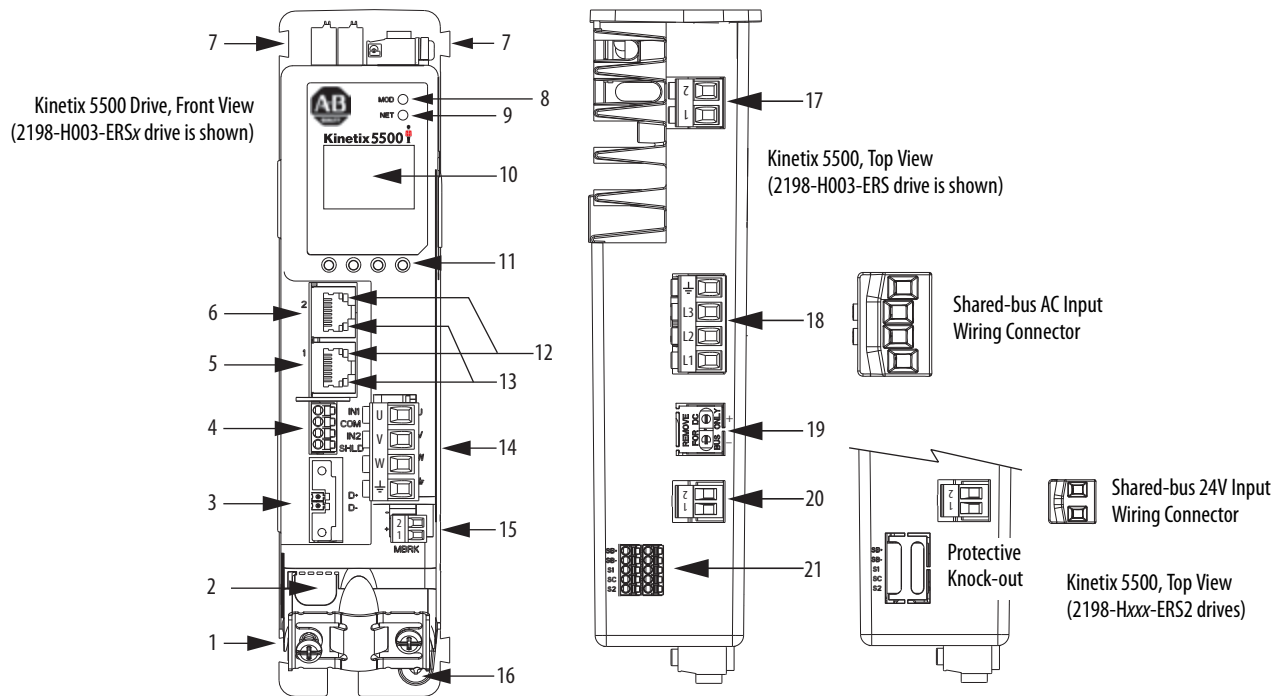
This chapter illustrates drive connectors and indicators, including connector pinouts, and provides descriptions for Kinetix® 5500 drive features.

Topic	Page
Kinetix 5500 Connector Data	62
Understand Control Signal Specifications	67
Feedback Specifications	70
Safe Torque-off Safety Features	72

Kinetix 5500 Connector Data

Use these illustrations to identify the connectors and indicators for the Kinetix 5500 drive modules.

Figure 30 - Kinetix 5500 Drive Features and Indicators



Item	Description
1	Motor cable shield clamp
2	Converter kit mounting hole ⁽¹⁾ (under cover)
3	Motor feedback (MF) connector
4	Digital inputs (IOD) connector
5	Ethernet (PORT1) RJ45 connector
6	Ethernet (PORT2) RJ45 connector
7	Zero-stack mounting tab/cutout

Item	Description
8	Module status indicator
9	Network status indicator
10	LCD display
11	Navigation pushbuttons
12	Link speed status indicators
13	Link/Activity status indicators
14	Motor power (MP) connector

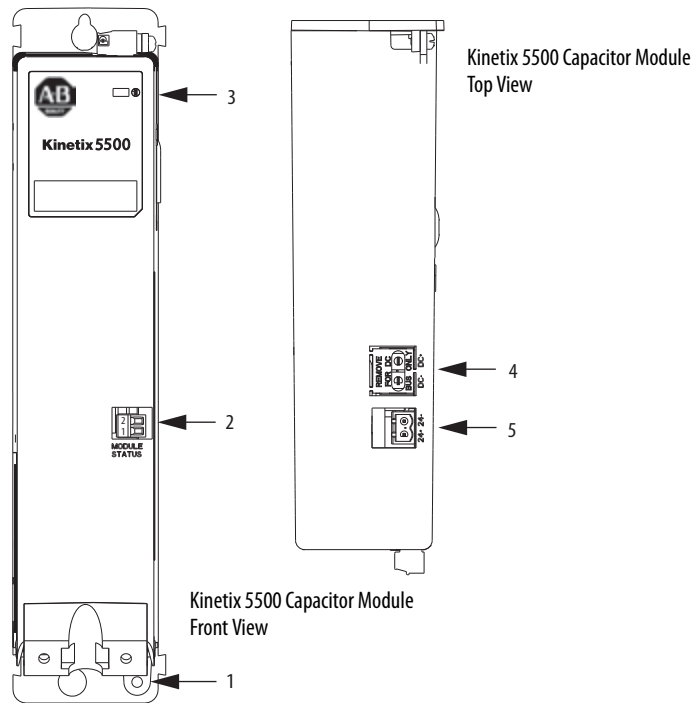
Item	Description
15	Motor brake (BC) connector
16	Ground terminal
17	Shunt resistor (RC) connector
18	AC mains input power (IPD) connector
19	DC bus (DC) connector (under cover) ⁽²⁾
20	24V control input power (CP) connector
21	Safe torque-off (STO) connector ⁽³⁾ (does not apply to 2198-Hxxx-ERS2 drives)

(1) Protective knock-out covers the 2198-H2DCK Hiperface-to-DSL feedback converter kit mounting hole. Remove knock-out for use with the converter kit.

(2) DC bus connector ships with protective knock-out cover that can be removed for use in shared-bus configurations.

(3) Protective knock-out cover is removed on 2198-Hxxx-ERS (hardwired STO) drives.

Figure 31 - Capacitor Module Features and Indicators



Item	Description
1	Ground screw (green)
2	Module status (MS) connector (relay output)
3	Module status indicator
4	DC bus (DC) connector (under cover) ⁽¹⁾ ⁽²⁾
5	24V control input power (CP) connector ⁽²⁾

(1) The DC-bus connector ships with a protective knock-out cover that can be removed for use in shared-bus configurations.

(2) The shared-bus connector set for the capacitor module, catalog number 2198-KITCON-CAP1300, is included for connection to the upstream drive. Replacement kits are also available.

Module Status Connector Pinout

MSPin	Description	Signal
1	Module status output	MS
2		MS

Safe Torque-off Connector Pinout

For the hardwired safe torque-off (STO) connector pinouts, feature descriptions, and wiring information, refer to Chapter 9 beginning on [page 169](#).

Input Power Connector Pinouts

Table 19 - Mains Input Power Connector

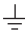
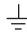
IPD Pin	Description	Signal
	Chassis ground	
L3	Three-phase input power	L3
L2		L2
L1		L1

Table 20 - 24V Input Power Connector

CP Pin	Description	Signal
1	24V power supply, customer supplied	24V+
2	24V common	24V-

DC Bus and Shunt Resistor Connector Pinouts

Table 21 - DC Bus Power Connector

DC Pin	Description	Signal
1	DC bus connections	DC-
2		DC+

Table 22 - Shunt Resistor Connector

RC Pin	Description	Signal
1	Shunt connections (frames 2 and 3)	DC+
2		SH
1	Shunt connections (frame 1)	SH
2		DC+

Digital Inputs Connector Pinouts

The Kinetix 5500 drive has two configurable digital inputs and 5 configurable functions to choose from in the Logix Designer application. Digital input 1 can be configured as a dual-function (home/registration) input.

Table 23 - Digital Inputs Connector

IOD Pin	Description	Signal
1	24V current-sinking fast input #1. This is a dual-function input.	IN1 ⁽¹⁾
2	I/O common for customer-supplied 24V supply.	COM
3	24V current-sinking fast input #2.	IN2
4	I/O cable shield termination point.	SHLD

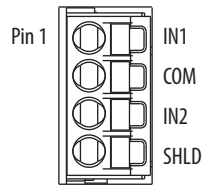
(1) This signal has dual-functionality. You can use IN1 (IOD-1) as Registration 1 or Home input when Home/Registration 1 is configured.

Table 24 - Configurable Functions

Default Configuration ⁽¹⁾	Description
Digital input1= Home/Registration 1 Digital input2 = Registration 2	Unassigned
	Home
	Registration 1
	Registration 2
	Positive overtravel
	Negative overtravel
	Home/Registration 1

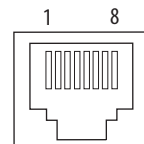
(1) Studio 5000 Logix Designer,® version 27 or later, is required to change from the default configuration.

Figure 32 - Pin Orientation for Digital Inputs (IOD) Connector



Ethernet Communication Connector Pinout

Pin	Description	Signal
1	Transmit+	TD+
2	Transmit-	TD-
3	Receive+	RD+
4	Reserved	–
5	Reserved	–
6	Receive-	RD-
7	Reserved	–
8	Reserved	–



Motor Power, Brake, and Feedback Connector Pinouts

Table 25 - Motor Power Connector

MP Pin	Description	Signal	Color
U	Three-phase motor power	U	Brown
V		V	Black
W		W	Blue
\perp	Chassis ground	\perp	Green



ATTENTION: To avoid damage to the Kinetix 5500 DC-bus power supply and inverter, make sure the motor power signals are wired correctly. Refer to [MP Connector Wiring](#) on [page 88](#) for motor power connector wiring examples.

IMPORTANT Drive-to-motor power cables must not exceed 50 m (164 ft), depending on overall system design.
System performance was tested at this cable length. These limitations also apply when meeting CE requirements.

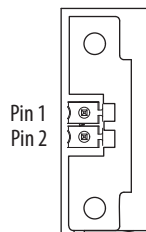
Table 26 - Motor Brake Connector

BC Pin	Description	Signal
1	Motor brake connections	MBRK+
2		MBRK-

Motor Feedback Connector Pinout

MF Pin	Description	Signal
1	Bidirectional data and power for digital encoder interface	D+
2		D-
SHIELD	Cable shield and grounding plate (internal to 2198-KITCON-DSL connector kit) termination point	SHIELD
	Cable shield and shield clamp (internal to 2198-H2DCK converter kit) termination point	

Figure 33 - Pin Orientation for Motor Feedback (MF) Connector



Understand Control Signal Specifications

This section provides a description of the Kinetix 5500 digital inputs, Ethernet communication, power and relay specifications, encoder feedback specifications, and safe torque-off features.

Digital Inputs

Two digital inputs are available for the machine interface on the IOD connector. Digital inputs require a 24V DC @ 15 mA supply. These are sinking inputs that require a sourcing device. A common and cable shield connection is provided on the IOD connector for digital inputs.

The Registration 1 input is capable of dual functionality. You can also use this as the Home input. Configuration for dual functionality is not needed.

IMPORTANT To improve registration input EMC performance, refer to the System Design for Control of Electrical Noise Reference Manual, publication [GMC-RM001](#).

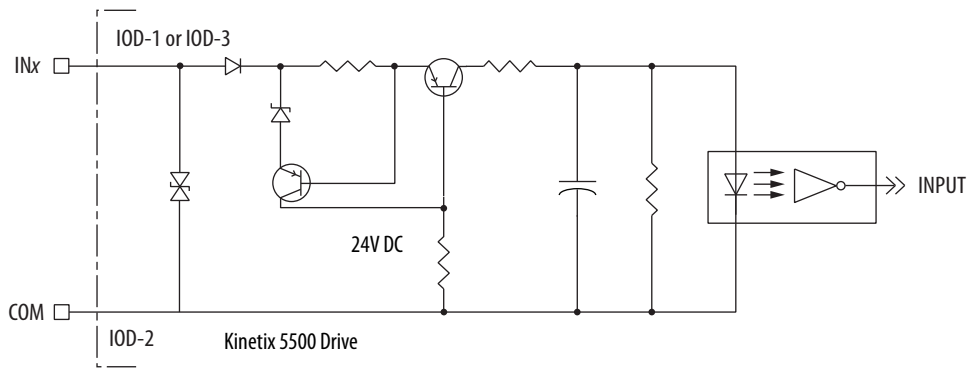
Table 27 - Understand Digital Input Functions

Function	Description	Default Behavior
Home/Reg1	An active state indicates to a homing sequence that the referencing sensor has been seen. Typically, a transition of this signal is used to establish a reference position for the machine axis.	The function is always inactive. You can enable in the Logix Designer application.
Registration 1	An inactive-to-active transition (also known as a positive transition) or active-to-inactive transition (also known as a negative transition) is used to latch position values for use in registration moves.	
Registration 2		
Positive overtravel Negative overtravel	The positive/negative limit switch (normally closed contact) inputs for each axis require 24V DC (nominal).	

Table 28 - Digital Input Specifications

Attribute	Value
Type	Active high, single-ended, current sinking (EN 61131-2 Type 1)
Dedicated functions	Registration 1, Home, Registration 2, Positive overtravel, Negative overtravel
Input current (with 24V applied)	12 mA, typical
On-state input voltage	15...30V @ 15 mA, max
Off-state input voltage	-1.0...5.0V
Pulse reject filtering (registration functions)	12.0 μ s
Pulse reject filtering (home input function) debounce filter	20 ms, nom
Propagation delay (registration functions)	0 (delay compensated)
Registration accuracy	± 3 μ s
Registration repeatability	700 ns
Windowed registration invalid-to-valid event delay	125 μ s, min

Figure 34 - Digital Input Circuitry



Ethernet Communication Specifications

The PORT1 and PORT2 (RJ45) Ethernet connectors are provided for communication with the Logix 5000™ controller.

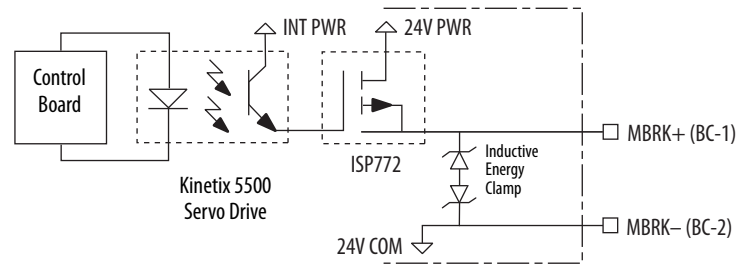
Attribute	Value
Communication	The drive auto-negotiates speed and duplex modes. These modes can be forced through the Logix Designer application. 100BASE-TX, full duplex is recommended for maximum performance.
Cyclic update period	1.0 ms, min
Embedded switch features	Three-port, cut-through, time correction on IEEE-1588 packets, limited filtering, quality of service with four priority levels
Auto MDI/MDIX crossover detection/correction	Yes
Port-to-port time synchronization variation	100 ns, max
Cabling	CAT5e shielded, 100 m (328 ft) max

Motor Brake Circuit

The brake option is a spring-set holding brake that releases when voltage is applied to the brake coil in the motor. The customer-supplied 24V power supply drives the brake output through a solid-state relay. The solid-state brake driver circuit provides the following:

- Brake current-overload protection
- Brake over-voltage protection

Two connections (BC-1 and BC-2) are required for the motor brake output. Connections are rated for 2.0 A @ +24V (refer to [Figure 35](#)).

Figure 35 - Motor Brake Circuit

IMPORTANT Motor parking-brake switching frequency must not exceed 10 cycles/min.

Control of the solid-state relay to release the motor brake is configurable in the Logix Designer application (refer to [Configure SPM Motor Closed-loop Control Axis Properties](#) beginning on [page 138](#)). An active signal releases the motor brake. Turn-on and turn-off delays are specified by the MechanicalBrakeEngageDelay and MechanicalBrakeReleaseDelay settings.

IMPORTANT Holding brakes that are available on Allen-Bradley® rotary motors are designed to hold a motor shaft at 0 rpm for up to the rated brake-holding torque, not to stop the rotation of the motor shaft, or be used as a safety device.

You must command the servo drive to 0 rpm and engage the brake only after verifying that the motor shaft is at 0 rpm.

These steps provide one method you can use to control a brake.

1. Wire the mechanical brake according to the appropriate interconnect diagram in Appendix A beginning on [page 193](#).
2. Enter the MechanicalBrakeEngageDelay and Mechanical BrakeReleaseDelay times in the Logix Designer application.
Refer to Axis Properties>Parameter List. The delay times must be from the appropriate motor family brake specifications table in the Kinetix Rotary Motion Specifications Technical Data, publication [KNX-TD001](#).
3. Use the drive stop-action default setting (Current Decel & Disable).
Refer to Axis Properties>Actions>Stop Action in the Logix Designer application.
4. Use the motion instruction Motion Axis Stop (MAS) to decelerate the servo motor to 0 rpm.
5. Use the motion instruction Motion Servo Off (MSF) to engage the brake and disable drive.

Control Power

The Kinetix 5500 drive requires 24V DC input power for control circuitry.

IMPORTANT SELV and PELV rated power supplies must be used to energize external safety devices connected to the Kinetix 5500 safety inputs.

The National Electrical Code and local electrical codes take precedence over the values and methods provided. Implementation of these codes is the responsibility of the machine builder.

Table 29 - Control Power Input Power Specifications

Attribute	Frame 1	Frame 2	Frame 3
Input voltage	21.6...26.4V DC		
Control power AC input current Nom @ 24V DC ⁽¹⁾	400 mA	800 mA	1.3 A
Inrush, max	2.0 A	3.0 A	3.0 A

(1) Plus BC connector (MBRK+) current.

Feedback Specifications

The Kinetix 5500 drive accepts motor feedback signals from Stegmann Hiperface digital-servo-link (DSL) encoders on the motor feedback (MF) connector.

TIP Auto-configuration in the Logix Designer application of intelligent absolute, high-resolution encoders is possible with only Allen-Bradley motors.

The Kinetix 5500 drives support Kinetix VP motors with Stegmann Hiperface digital-servo-link (DSL) encoders by using the 2-pin (MF) feedback connector. You can also use the MF connector for feedback-only applications.

Other Allen-Bradley motors and actuators with Stegmann Hiperface single-turn or multi-turn high-resolution absolute encoders are also accepted, but only when using drive firmware revision 2.002 or later, and the 2198-H2DCK Hiperface-to-DSL (series B or later) feedback converter kit.

Table 30 - Stegmann Hiperface DSL Specifications

Attribute	Value
Protocol	Hiperface DSL
Memory support	Programmed with Allen-Bradley motor data
Hiperface data communication	9.375 Mbits/s

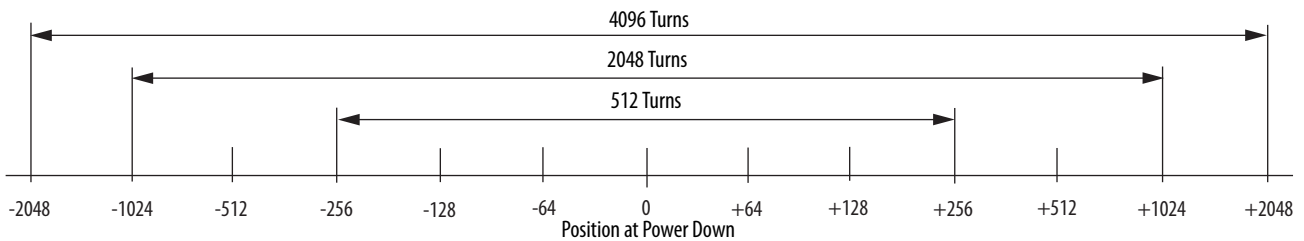
Absolute Position Feature

The absolute position feature of the drive tracks the position of the motor, within the multi-turn retention limits, while the drive is powered off. The absolute position feature is available with only multi-turn encoders.

Table 31 - Absolute Position Retention Limits

Encoder Type	Cat. No. Designator	Motor Cat. No.	Actuator Cat. No.	Retention Limits	
				Turns (rotary)	mm (linear)
Stegmann Hiperface (DSL)	-P	VPL-A/Bxxxxx-P VPF-A/Bxxxxx-P VPS-Bxxxxx-P	VPAR-A/Bxxxxx-P	4096 (±2048)	–
	-W	VPL-A/Bxxxxx-W, VPF-A/Bxxxxx-W VPH-A/Bxxxxx-W	VPAR-Bxxxxx-W	4096 (±2048)	–
	-Q	VPL-A/Bxxxxx-Q VPF-A/Bxxxxx-Q VPH-A/Bxxxxx-Q	VPAR-Bxxxxx-Q	512 (±256)	–
Stegmann Hiperface	-M	MPL-A/Bxxxxx-M MPM-A/Bxxxxx-M MPF-A/Bxxxxx-M MPS-A/Bxxxxx-M	MPAR-A/B3xxxx-M MPAI-A/BxxxxxM	2048 (±1024)	–
	-V	MPL-A/Bxxxxx-V	MPAS-A/Bxxxx1-V05, MPAS-A/Bxxxx2-V20 MPAR-A/B1xxxx-V, MPAR-A/B2xxxx-V MPAI-A/BxxxxxV	4096 (±2048)	–
Stegmann Hiperface (magnetic scale)	-xDx	–	LDAT-Sxxxxxx-xDx	–	960 (37.8)

Figure 36 - Absolute Position Limits (measured in turns)



Safe Torque-off Safety Features

Kinetix 5500 servo drives have safe torque-off (STO) capability and can safely turn off the inverter power transistors in response to the removal of the STO digital inputs, resulting in Stop Category 0 behavior

Servo Drives with Hardwired Safety

2198-Hxxx-ERS (hardwired) servo drives support parallel input terminals for cascading to adjacent drives over duplex wiring. For applications that do not require the STO safety function you must install jumper wires to bypass the safe torque-off feature.

Refer to Chapter 9 on [page 169](#) for the STO connector pinout, installation, and wiring information.

Servo Drives with Integrated Safety

For 2198-Hxxx-ERS2 (integrated safety) servo drives, the GuardLogix® 5570 or Compact GuardLogix 5570 safety controller issues the STO command via the EtherNet/IP™ network and the 2198-Hxxx-ERS2 servo drives execute the command.

Refer to Chapter 10 on [page 177](#) for integrated safety drive specifications, configuring motion and safety connections, motion direct commands, and the STO bypass feature.

Connect the Kinetix 5500 Drive System

This chapter provides procedures for wiring your Kinetix® 5500 system components and making cable connections.

Topic	Page
Basic Wiring Requirements	74
Determine the Input Power Configuration	75
Ground Screw Settings	78
Remove the Ground Screws in Select Power Configurations	79
Ground the Drive System	80
Wiring Requirements	82
Wiring Guidelines	83
Wire the Power Connectors	84
Wire the Digital Input Connectors	86
Wire Kinetix VP Motors and Actuators	87
Wire Other Allen-Bradley Motors and Actuators	92
Capacitor Module Connections	104
External Passive-shunt Resistor Connections	105
Ethernet Cable Connections	106

Basic Wiring Requirements

This section contains basic wiring information for the Kinetix 5500 drives.



ATTENTION: Plan the installation of your system so that you can perform all cutting, drilling, tapping, and welding with the system removed from the enclosure. Because the system is of the open type construction, be careful to keep metal debris from falling into it. Metal debris or other foreign matter can become lodged in the circuitry and result in damage to components.



SHOCK HAZARD: To avoid hazard of electrical shock, perform all mounting and wiring of the Bulletin 2198 drive modules prior to applying power. Once power is applied, connector terminals can have voltage present even when not in use.

IMPORTANT This section contains common PWM servo system wiring configurations, size, and practices that can be used in a majority of applications. National Electrical Code, local electrical codes, special operating temperatures, duty cycles, or system configurations take precedence over the values and methods provided.

Routing the Power and Signal Cables

Be aware that when you route power and signal wiring on a machine or system, radiated noise from nearby relays, transformers, and other electronic devices can be induced into I/O communication, or other sensitive low voltage signals. This can cause system faults and communication anomalies.

The Bulletin 2090 single motor cable contains the power, brake, and feedback wires, but is properly shielded to protect the noise-sensitive feedback signals.

Refer to [Electrical Noise Reduction](#) on [page 41](#) for examples of routing high and low voltage cables in wireways. Refer to the System Design for Control of Electrical Noise Reference Manual, publication [GMC-RM001](#), for more information.

Determine the Input Power Configuration

Before wiring input power to your Kinetix 5500 system, you must determine the type of input power within your facility. The drive is designed to operate in both grounded and ungrounded environments.

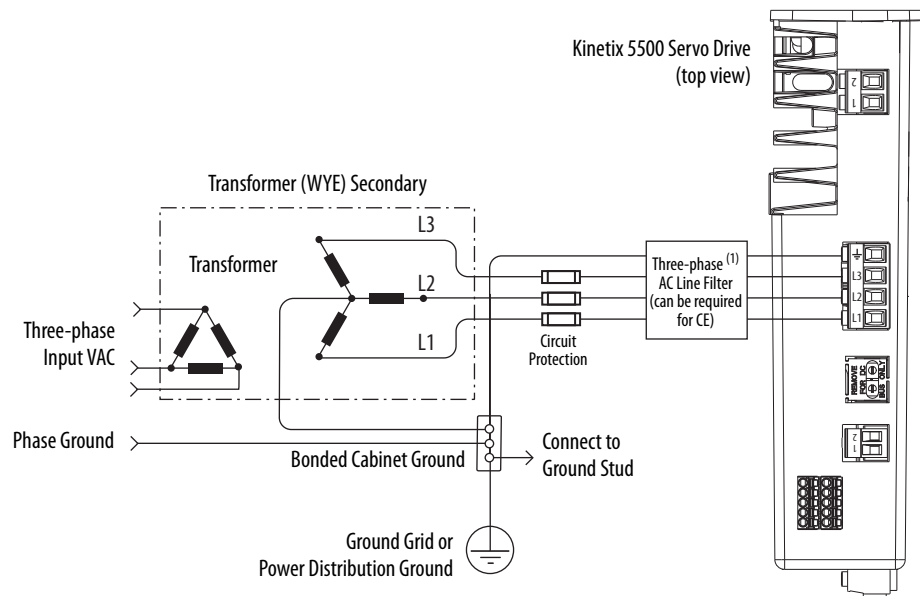


ATTENTION: Ungrounded, corner-grounded, and impedance-grounded input power configurations are permitted, but you must remove the ground screws. Refer to [Ground Screw Settings](#) on [page 78](#) for a ground screw summary.

Grounded Power Configurations

The grounded (WYE) power configuration lets you ground your three-phase power at a neutral point. This type of grounded power configuration is preferred.

Figure 37 - Grounded Power Configuration (WYE Secondary)

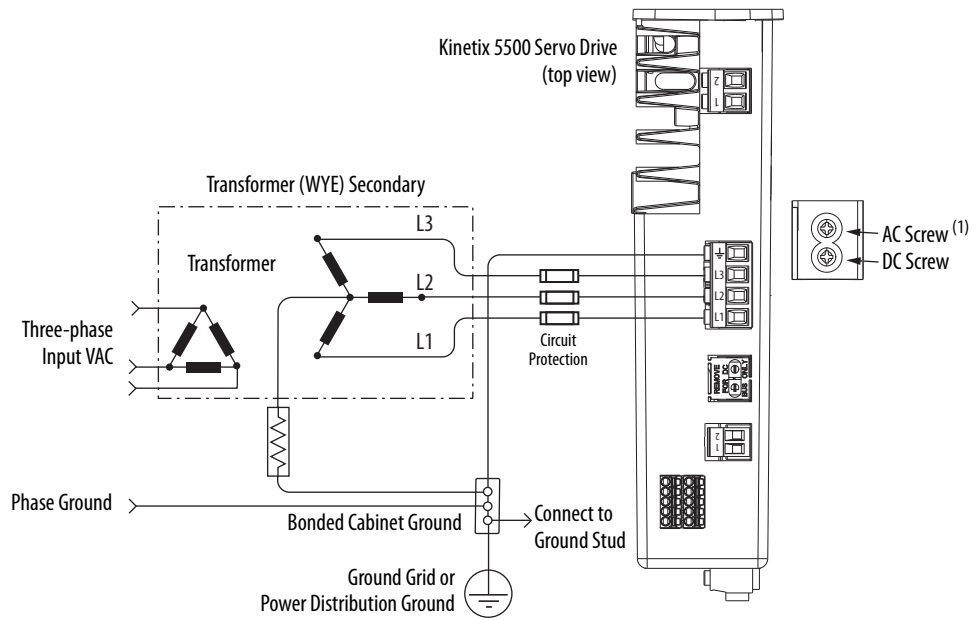


(1) When using 2198-DBxx-F line filter, the AC ground jumper is installed and the DC ground jumper is installed. When using 2198-DBRxx-F line filter, the AC ground jumper is installed and the DC ground jumper is installed.

The Kinetix 5500 drive has factory-installed ground screws for grounded (wye) power distribution.

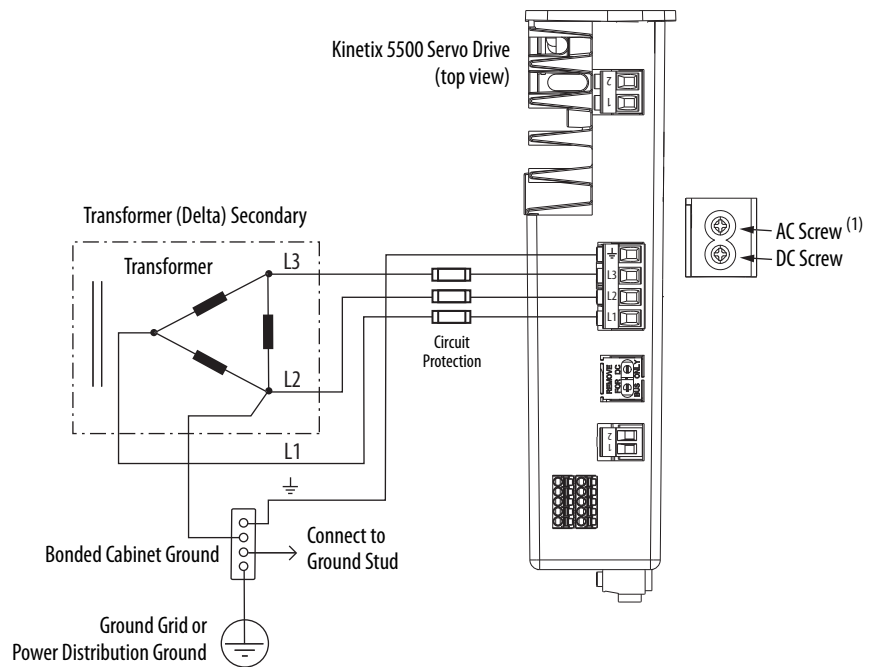
Refer to [Power Wiring Examples](#) beginning on [page 194](#) for input power interconnect diagrams.

Figure 38 - Impedance-grounded Power Configuration (WYE Secondary)



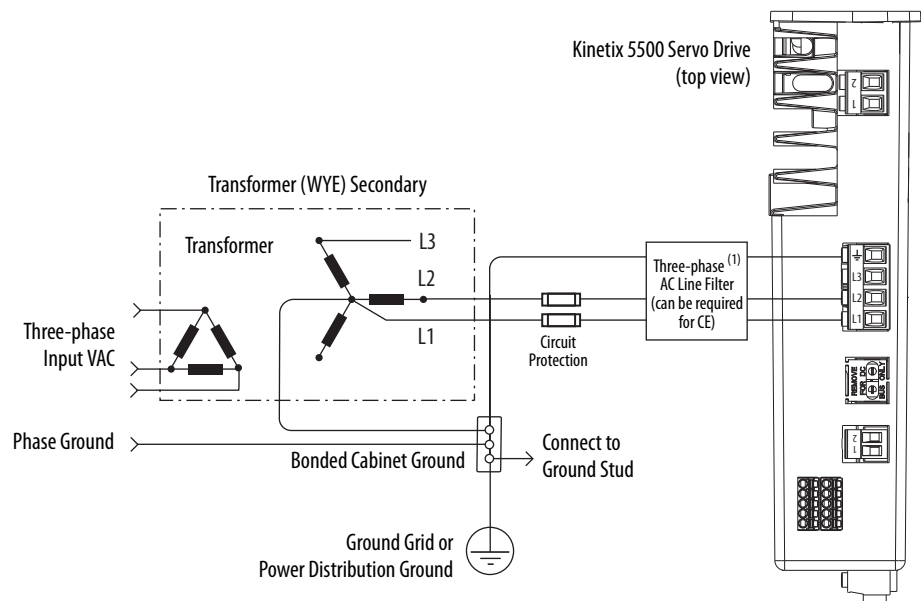
(1) The AC ground jumper is removed and the DC ground jumper is removed. See [Figure 42](#) on [page 79](#) for access to ground screws.

Figure 39 - Corner-grounded Power Configuration (Delta Secondary)



(1) The AC ground jumper is removed and the DC ground jumper is removed. See [Figure 42](#) on [page 79](#) for access to ground screws.

Refer to [Power Wiring Examples](#) beginning on [page 194](#) for input power interconnect diagrams.

Figure 40 - Grounded Power Configuration (single-phase input)

- (1) When using 2198-DBxx-F line filter, the AC ground jumper is installed and the DC ground jumper is installed. When using 2198-DBRxx-F line filter, the AC ground jumper is installed and the DC ground jumper is installed.

IMPORTANT To reduce leakage current in single-phase AC input operation, remove the AC ground screw (refer to [Figure 42](#) on [page 79](#)).
Install the AC ground screw only if higher EMC performance is required.

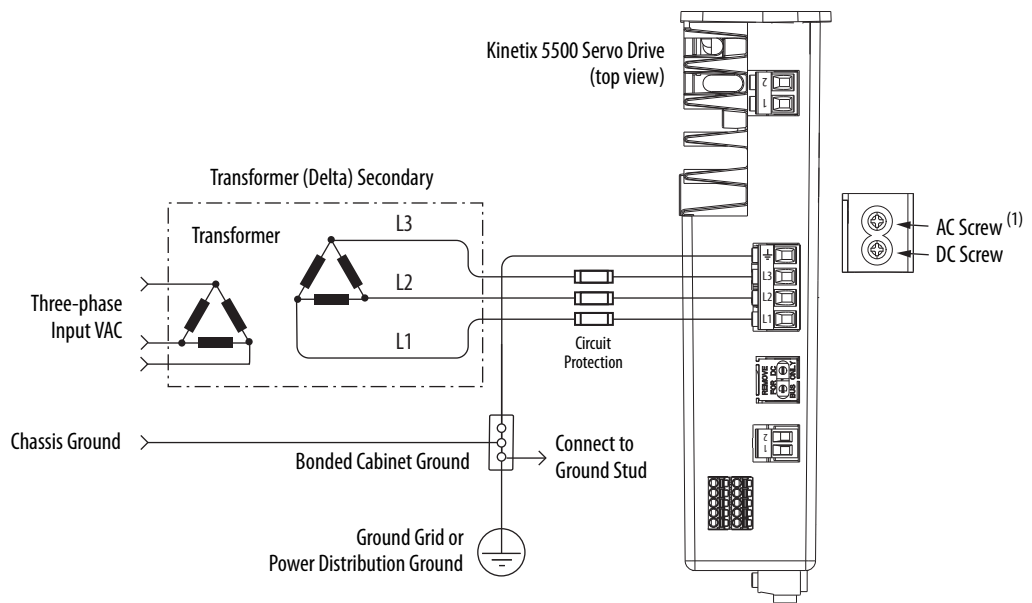
Refer to [Power Wiring Examples](#) beginning on [page 194](#) for input power interconnect diagrams.

Ungrounded Power Configurations

The ungrounded power configuration ([Figure 41](#)), corner-grounded ([Figure 39](#)), and impedance-grounded ([Figure 38](#)) power configurations do not provide a neutral ground point.

IMPORTANT If you determine that you have ungrounded, corner-grounded, or impedance-grounded power distribution in your facility, you must remove the ground screws in each of your drives that receive input power.
Refer to [Remove the Ground Screws in Select Power Configurations](#) on [page 79](#) for more information.

Figure 41 - Ungrounded Power Configuration



(1) The AC ground jumper is removed and the DC ground jumper is removed. See [Figure 42](#) on [page 79](#) for access to ground screws.



ATTENTION: Ungrounded systems do not reference each phase potential to a power distribution ground. This can result in an unknown potential to earth ground.

Refer to [Power Wiring Examples](#) beginning on [page 194](#) for input power interconnect diagrams.

Ground Screw Settings

Determine the ground screw setting for your Kinetix 5500 servo drives.

Table 32 - Ground Screw Settings

Ground Configuration	Example Diagram	Ground Screw Setting
Grounded (wye)	Figure 37 on page 75	Both screws installed (default setting)
<ul style="list-style-type: none"> • AC fed ungrounded • Corner grounded • Impedance grounded 	Figure 41 on page 78 Figure 39 on page 76 Figure 38 on page 76	Both screws removed
Single-phase input power	Figure 40 on page 77	AC screw removed ⁽¹⁾

(1) Removing the AC ground screw to minimize leakage current in single-phase operation can affect EMC performance.



ATTENTION: To help prevent damage to the servo drive, you must set the ground screws according to the example diagrams that are summarized in [Table 32](#).

Remove the Ground Screws in Select Power Configurations

Removing the ground screws involves gaining access, opening the sliding door, and removing the screws.

IMPORTANT If you have grounded-wye power distribution, you do not need to remove the ground screws. Go to [Ground the Drive System](#) on [page 80](#).

Removing the ground screws in multi-axis configurations is best done when each drive is removed from the panel and placed on its side on a solid surface.

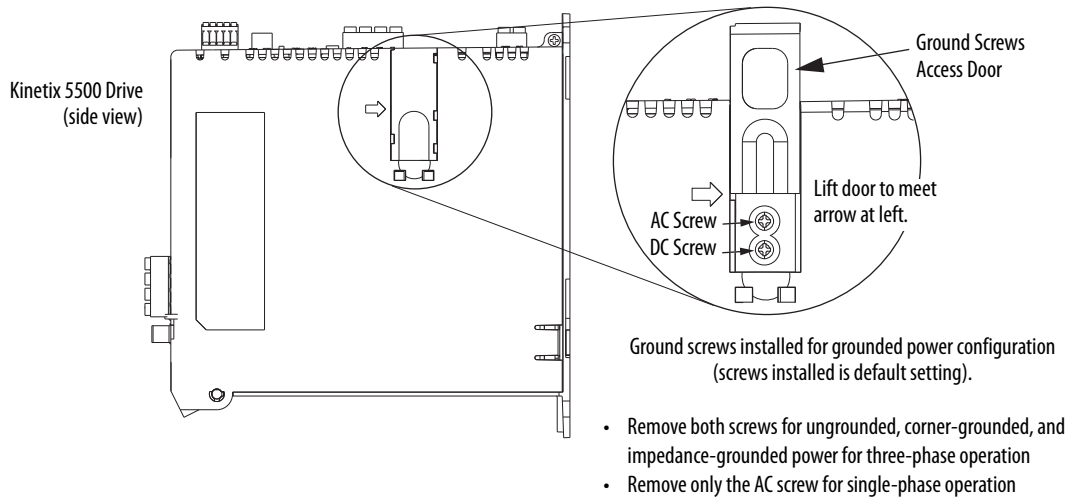


ATTENTION: Because the unit no longer maintains line-to-neutral voltage protection, the risk of equipment damage exists when you remove the ground screws.



ATTENTION: To avoid personal injury, the ground screws access door must be kept closed when power is applied. If power was present and then removed, wait at least 5 minutes for the DC-bus voltage to dissipate and verify that no DC-bus voltage exists before accessing the ground screws.

Figure 42 - Remove the Ground Screws



ATTENTION: Risk of equipment damage exists. The drive ground configuration must be accurately determined. Leave the ground screws installed for grounded power configurations (default). Remove the screws for ungrounded, corner-grounded, and impedance-grounded power configurations.

Ground the Drive System

All equipment and components of a machine or process system must have a common earth ground point connected to chassis. A grounded system provides a ground path for protection against electrical shock. Grounding your drives and panels minimize the shock hazard to personnel and damage to equipment caused by short circuits, transient overvoltages, and accidental connection of energized conductors to the equipment chassis.

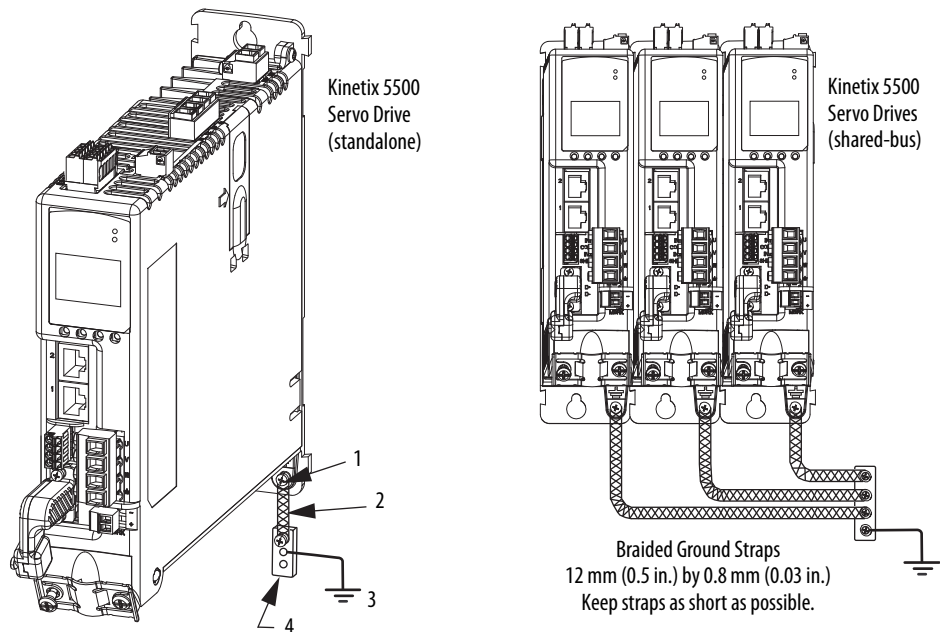


ATTENTION: The National Electrical Code contains grounding requirements, conventions, and definitions. Follow all applicable local codes and regulations to safely ground your system. For CE grounding requirements, refer to [Agency Compliance](#) on [page 30](#).

Ground the System Subpanel

Ground Kinetix 5500 drives and 2198-CAPMOD-1300 capacitor modules to a bonded cabinet ground bus with a braided ground strap. Keep the braided ground strap as short as possible for optimum bonding.

Figure 43 - Connecting the Ground Terminal



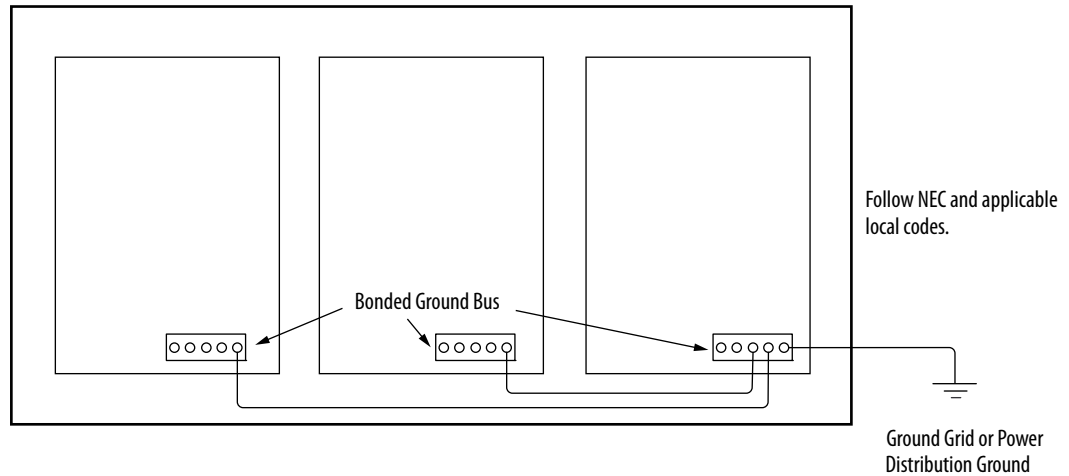
Item	Description
1	Ground screw (green) 2.0 N•m (17.7 lb•in), max
2	Braided ground strap (customer supplied)
3	Ground grid or power distribution ground
4	Bonded cabinet ground bus (customer supplied)

Refer to the System Design for Control of Electrical Noise Reference Manual, publication [GMC-RM001](#), for more information.

Ground Multiple Subpanels

In this figure, the chassis ground is extended to multiple subpanels.

Figure 44 - Subpanels Connected to a Single Ground Point



High-frequency (HF) bonding is not illustrated. For HF bonding information, refer to [Bonding Multiple Subpanels](#) on [page 43](#).

Wiring Requirements

Wires must be copper with 75 °C (167 °F) minimum rating. Phasing of main AC power is arbitrary and earth ground connection is required for safe and proper operation.

Refer to [Power Wiring Examples](#) on [page 194](#) for interconnect diagrams.

IMPORTANT The National Electrical Code and local electrical codes take precedence over the values and methods provided.

Table 33 - Power and I/O Wiring Requirements

Kinetix 5500 Drive Cat. No.	Description	Connects to Terminals		Wire Size mm ² (AWG)	Strip Length mm (in.)	Torque Value N·m (lb·in)
		Pin	Signal			
2198-H003-ERSx 2198-H008-ERSx 2198-H015-ERSx 2198-H025-ERSx 2198-H040-ERSx	Mains input power ⁽¹⁾ (single-axis IPD connector)	⏏ L3 L2 L1	⏏ L3 L2 L1	1.5...4 (16...12)	8.0 (0.31)	0.5...0.6 (4.4...5.3)
2198-H070-ERSx				1.5...6 (16...10)		
2198-H003-ERSx 2198-H008-ERSx 2198-H015-ERSx 2198-H025-ERSx 2198-H040-ERSx	Motor power	U V W ⏏	U V W ⏏	Motor power cable depends on motor/drive combination. 0.75...2.5 ⁽⁴⁾ (18...14)	7.0 (0.28)	0.5...0.6 (4.4...5.3)
2198-H070-ERSx				2.5...6 ⁽⁴⁾ (14...10)		
2198-xxxx-ERSx	PELV/SELV 24V power ⁽¹⁾ (single-axis CP connector)	CP-1 CP-2	24V+ 24V-	0.5...2.5 (20...14)	7.0 (0.28)	0.22...0.25 (1.9...2.2)
	Brake power	BC-1 BC-2	MBRK+ MBRK-	N/A ⁽⁵⁾		
	DC Bus power	DC-1 DC-2	DC- DC+	N/A ⁽⁶⁾	N/A ⁽⁶⁾	N/A ⁽⁶⁾
	Shunt resistor (frame 2 and 3)	RC-1 RC-2	DC+ SH	0.5...4.0 (20...12)	8.0 (0.31)	0.5...0.6 (4.4...5.3)
	Shunt resistor (frame 1)	RC-1 RC-2	SH DC+			
	Safety ⁽²⁾	STO-1 STO-2 STO-3 STO-4 STO-5	SB+ SB- S1 SC S2	0.2...1.5 (24...16)	10.0 (0.39)	N/A ⁽⁷⁾
	Digital inputs	IOD-1 IOD-2 IOD-3 IOD-4	IN1 ⁽³⁾ COM IN2 SHLD	0.2...1.5 (24...16)	10.0 (0.39)	N/A ⁽⁷⁾

- (1) The wire size, strip length, and torque specifications shown here apply to the single-axis connector that ships with the drive. For the shared-bus connector specifications, refer to [Table 35](#) on [page 84](#) (CP connector) and [Table 37](#) on [page 86](#) (IPD connector).
- (2) These signals and the safe torque-off (STO) connector apply to only the 2198-Hxxx-ERS drives.
- (3) This signal has dual-functionality. You can use IN1 (IOD-1) as registration or Home input.
- (4) Building your own cables or using third-party cables is not an option. Use single motor cable catalog number 2090-CSxM1DF/DG. Refer to the Kinetix Motion Accessories Specifications Technical Data, publication [KNX-TD004](#), for cable specifications.
- (5) Motor brake wires are part of the 2090-CSBM1DF/DG motor cable.
- (6) DC bus connections are always made from drive-to-drive over the bus-bar connection system. These terminals do not receive discrete wires.
- (7) This connector uses spring tension to hold wires in place.



ATTENTION: To avoid personal injury and/or equipment damage, observe the following:

- Make sure installation complies with specifications regarding wire types, conductor sizes, branch circuit protection, and disconnect devices. The National Electrical Code (NEC) and local codes outline provisions for safely installing electrical equipment.
 - Use motor power connectors for connection purposes only. Do not use them to turn the unit on and off.
 - Ground shielded power cables to prevent potentially high voltages on the shield.
-

Wiring Guidelines

Use these guidelines as a reference when wiring the power connectors on your Kinetix 5500 drive.

IMPORTANT For connector locations of the Kinetix 5500 drives, refer to [Kinetix 5500 Connector Data](#) on [page 62](#).

When removing insulation from wires and tightening screws to secure the wires, refer to the table on [page 82](#) for strip lengths and torque values.

IMPORTANT To improve system performance, run wires and cables in the wireways as established in [Establishing Noise Zones](#) on [page 44](#).

Follow these steps when wiring the connectors for your Kinetix 5500 drive.

1. Prepare the wires for attachment to each connector plug by removing insulation equal to the recommended strip length.

IMPORTANT Use caution not to nick, cut, or otherwise damage strands as you remove the insulation.

2. Route the cable/wires to your Kinetix 5500 drive.

3. Insert wires into connector plugs.

Refer to connector pinout tables in [Chapter 4](#) or the interconnect diagrams in [Appendix A](#).

4. Tighten the connector screws.

5. Gently pull on each wire to make sure it does not come out of its terminal; reinsert and tighten any loose wires.

6. Insert the connector plug into the drive connector.

Wire the Power Connectors

This section provides examples and guidelines to assist you in making connections to the input power connectors.

Refer to [Power Wiring Examples](#) on [page 194](#) for an interconnect diagram.

Wire the 24V Control Power Input Connector

The 24V power (CP) connector requires 24V DC input for the control circuitry. The single-axis connector plug is included with the drive, shared-bus connector kits are purchased separately.

Figure 45 - CP Connector Wiring - Single Axis

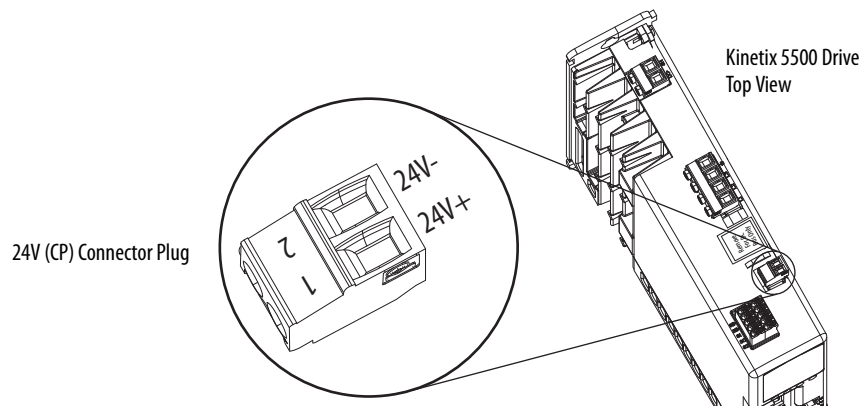


Table 34 - Single-axis CP Connector Wiring Specifications

Drive Module Cat. No.	CP Pin	Signal	Recommended Wire Size mm ² (AWG)	Strip Length mm (in.)	Torque Value N·m (lb·in)
2198-Hxxx-ERSx 2198-CAPMOD-1300	CP-1	24V+	0.5...2.5 (20...14)	7.0 (0.28)	0.22...0.25 (1.9...2.2)
	CP-2	24V-			

Figure 46 - CP Connector Wiring - Shared Bus

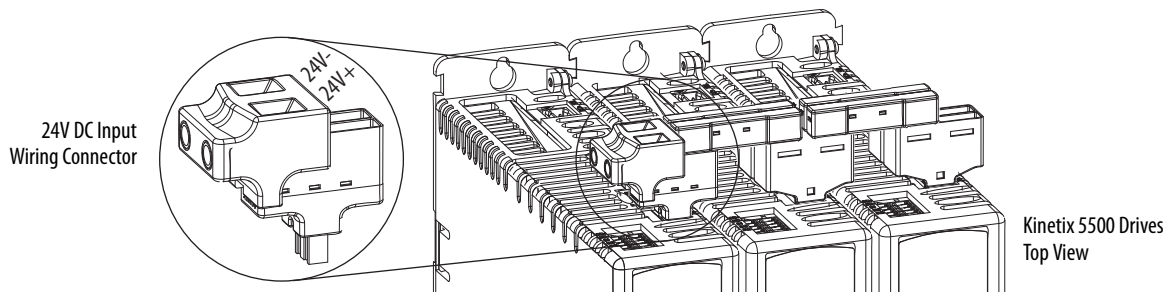


Table 35 - Shared-bus CP Connector Wiring Specifications

Drive Cat. No.	CP Pin	Signal	Input Current, max A rms	Recommended Wire Size mm ² (AWG)	Strip Length mm (in.)	Torque Value N·m (lb·in)
2198-Hxxx-ERSx 2198-CAPMOD-1300	CP-1	24V+	40	10 (6)	11.0 (0.43)	1.7...1.8 (15.0...15.9)
	CP-2	24V-				

Wire the Input Power Connector

The input power (IPD) connector requires 195...528V AC (single-phase or three-phase) for mains input power. The single-axis connector plug is included with the drive, shared-bus connector kits are purchased separately.



ATTENTION: Make sure the input power connections are correct when wiring the IPD connector plug or input wiring connector and that the plug/connector is fully engaged in the drive connector. Incorrect wiring/polarity or loose wiring can cause explosion or damage to equipment.

Figure 47 - IPD Connector Wiring - Single Axis

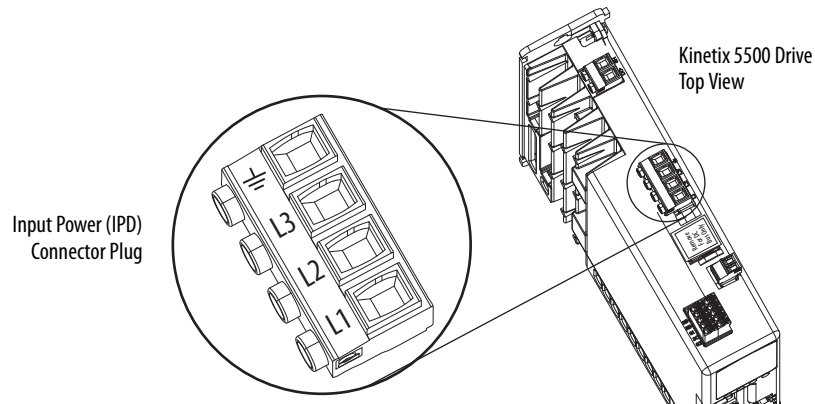


Table 36 - Single-axis IPD Connector Wiring Specifications

Kinetix 5500 Drive Cat. No.	Pin	Signal	Recommended Wire Size mm ² (AWG)	Strip Length mm (in.)	Torque Value N·m (lb·in)
2198-H003-ERSx 2198-H008-ERSx 2198-H015-ERSx 2198-H025-ERSx 2198-H040-ERSx	⏏ L3 L2 L1	⏏ L3 L2 L1	1.5...4 (16...12)	8.0 (0.31)	0.5...0.6 (4.4...5.3)
2198-H070-ERSx			1.5...6 (16...10)	10.0 (0.39)	

Figure 48 - IPD Connector Wiring - Shared Bus

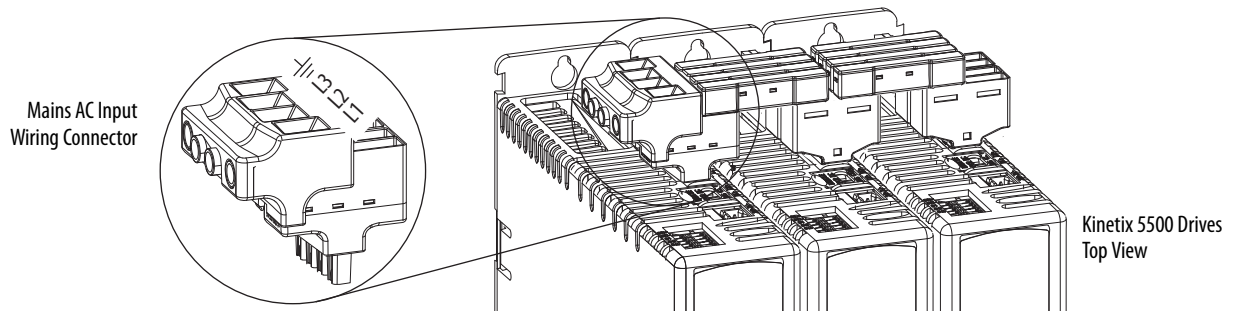


Table 37 - Shared Bus IPD Connector Wiring Specifications

Kinetix 5500 Drive Cat. No.	Pin	Signal	Input Current, max A rms	Recommended Wire Size mm ² (AWG)	Strip Length mm (in.)	Torque Value N·m (lb·in)
2198-H003-ERSx 2198-H008-ERSx 2198-H015-ERSx 2198-H025-ERSx 2198-H040-ERSx	⏏ L3 L2 L1	⏏ L3 L2 L1	52	13.3...3.3 (6...12)	11.0 (0.43)	1.7...1.8 (15.0...15.9)
2198-H070-ERSx				13.3 (6)		

Wire the Digital Input Connectors

This section provides guidelines to assist you in making digital input connections.

Wire the Safe Torque-off Connector

For the hardwired safe torque-off (STO) connector pinouts, feature descriptions, and wiring information, refer to Chapter 9 beginning on [page 169](#).

Wire the Digital Inputs Connector

The digital inputs (IOD) connector uses spring tension to hold wires in place.

Figure 49 - IOD Connector Wiring

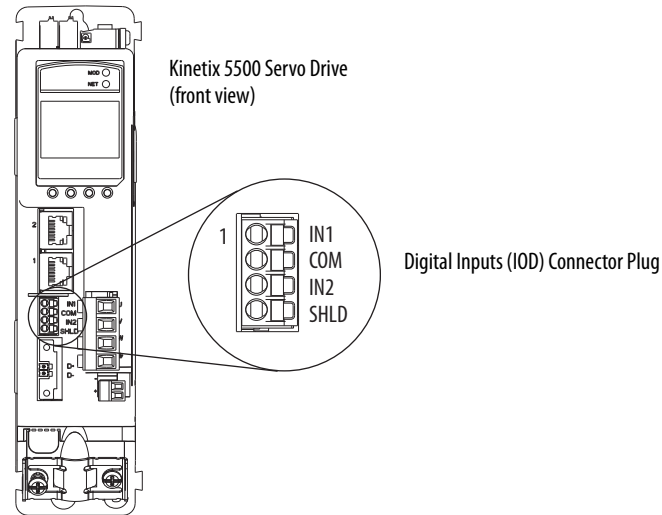


Table 38 - Digital Inputs (IOD) Connector Specifications

Drive Cat. No.	DC Pin	Signal	Recommended Wire Size mm ² (AWG)	Strip Length mm (in.)	Torque Value N•m (lb•in)
2198-Hxxx-ERSx	IOD-1 IOD-2 IOD-3 IOD-4	IN1 ⁽¹⁾ COM IN2 SHLD	0.2...1.5 (24...16)	10.0 (0.39)	N/A ⁽²⁾

(1) This signal has dual-functionality. You can use IN1 (IOD-1) as registration or Home input.

(2) This connector uses spring tension to hold wires in place.

Wire Kinetix VP Motors and Actuators

Kinetix 5500 drives and Kinetix VP motor/actuator combinations use single motor-cable technology with motor power, feedback, and brake wires (when specified) housed in a single cable. Feedback wires are shielded separately and provide a shield braid for grounding in the connector kit.

IMPORTANT Due to the unique characteristics of single cable technology, designed for and tested with Kinetix 5500 drives and Kinetix VP motors, you cannot build your own cables or use third-party cables.

Refer to the Kinetix Motion Accessories Specifications Technical Data, publication [KNX-TD004](#), for cable specifications.

Table 39 - Single Cable Catalog Numbers

Motor Cat. No.	Feedback Kit Cat. No.	Motor Cable Cat. No. (with brake wires)	Motor Cable Cat. No. (without brake wires)	Feedback Connections
VPL-A/Bxxxx VPF-A/Bxxxx VPH-A/Bxxxx VPS-Bxxxx VPA-A/Bxxxx	2198-KITCON-DSL (included with each servo drive)	2090-CSBM1DF-xxAAxx (standard) cables 2090-CSBM1DF-xxAFxx (continuous-flex) cables	2090-CSWM1DF-xxAAxx (standard) cables	Flying-lead feedback conductors. Cables are designed specifically for Kinetix 5500 drives.
		2090-CSBM1DG-xxxAxx (standard) cables 2090-CSBM1DG-xxxFxx (continuous-flex) cables	2090-CSWM1DG-xxxAxx (standard) cables	Flying-lead feedback conductors. Leads are longer to accommodate Kinetix 5500 or Kinetix 5700 drives. Extra service loops are required with Kinetix 5500 drives.

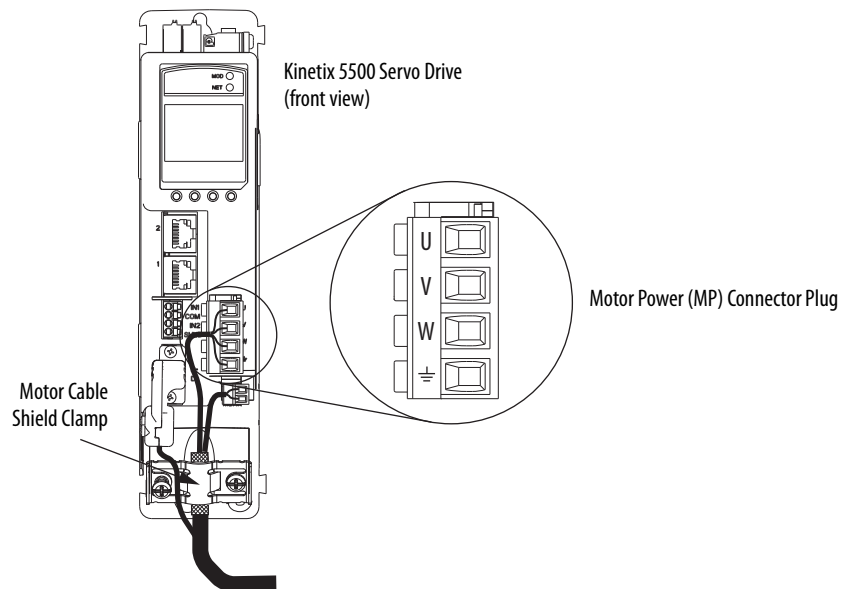
Maximum Cable Lengths

Combined motor cable length for all axes on the same DC bus must not exceed 250 m (820 ft). The maximum drive-to-motor cable length for Kinetix 5500 drives and motor/actuator combinations with 2090-CSxM1Dx cables is 50 m (164 ft) for most drives with standard (non-flex) cables. See [Agency Compliance](#) on [page 30](#) for additional cable length details.

Motor Power Connections

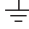
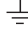
Refer to [Kinetix 5500 Servo Drive and Rotary Motor Wiring Examples](#) on [page 199](#) for an interconnect diagram.

Figure 50 - MP Connector Wiring



WARNING: Make sure the motor power connections are correct when wiring the MP connector plug and that the plug is fully engaged in the module connector. Incorrect wiring/polarity or loose wiring can cause an explosion or damage to equipment.

Table 40 - Motor Power (MP) Connector Specifications

Drive Cat. No.	Pin	Signal/Wire Color	Recommended Wire Size ⁽¹⁾ mm ² (AWG)	Strip Length mm (in.)	Torque Value N·m (lb·in)
2198-H003-ERSx 2198-H008-ERSx 2198-H015-ERSx 2198-H025-ERSx 2198-H040-ERSx	U V W 	U Brown V Black W Blue  Green/Yellow	Motor power cable depends on motor/drive combination. 0.75...2.5 (18...14) max	8.0 (0.31)	0.5...0.6 (4.4...5.3)
2198-H070-ERSx			2.5...6 (14...10) max	10.0 (0.39)	0.5...0.8 (4.4...7.1)

(1) Building your own cables or using third-party cables is not an option. Use 2090-CSxM1DF/DG single motor cables. Refer to the Kinetix Motion Accessories Specifications Technical Data, publication [KNX-TD004](#), for cable specifications.

Motor Brake Connections

Figure 51 - BC Connector Wiring

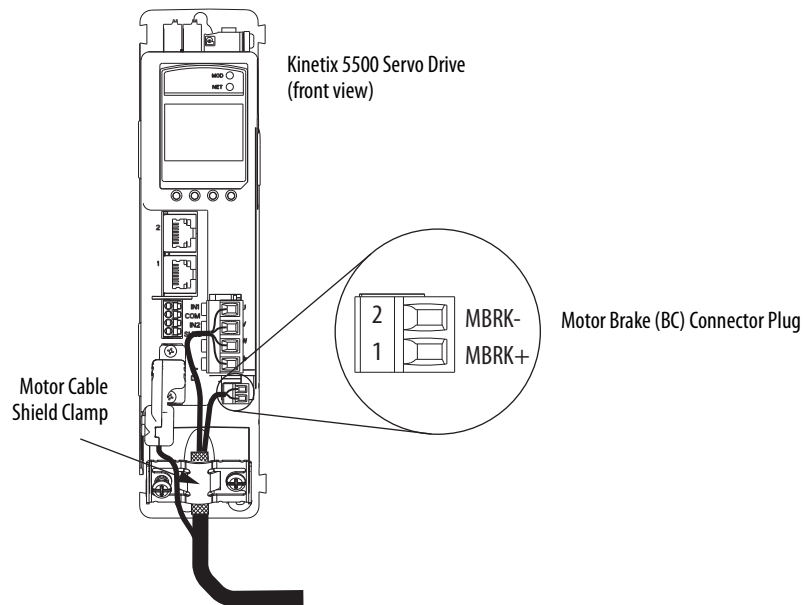


Table 41 - Motor Brake (BC) Connector Specifications

Drive Cat. No.	Pin	Signal/Wire Color	Recommended ⁽¹⁾ Wire Size (AWG)	Strip Length mm (in.)	Torque Value N·m (lb·in)
2198-Hxxx-ERSx	BC-1	MBRK+/Black	N/A	7.0 (0.28)	0.22...0.25 (1.9...2.2)
	BC-2	MBRK-/White			

(1) Motor brake wires are part of the 2090-CSBM1DF/DG motor cable.

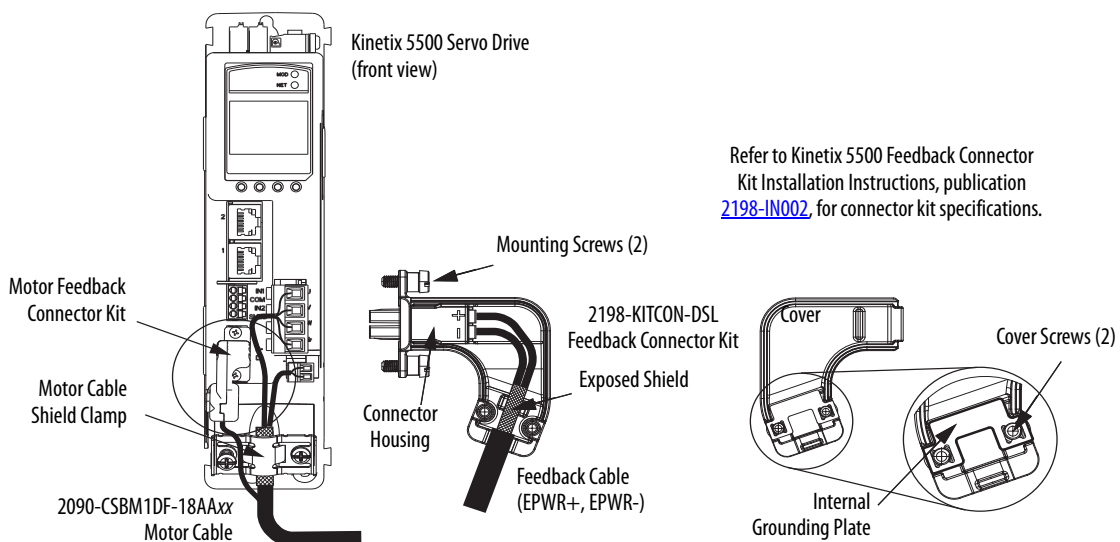
Motor Feedback Connections

Single motor-cable feedback connections are made by using the 2198-KITCON-DSL feedback connector kit (included with each servo drive).

- 2090-CSxM1DF cables have flying-lead conductors designed specifically for Kinetix 5500 servo drives.
- 2090-CSxM1DG cables also have flying-lead feedback conductors. Leads are longer than 2090-CSxM1DF cables to accommodate Kinetix 5500 or Kinetix 5700 servo drives. However, because the leads are longer, extra service loops are required with Kinetix 5500 drives.

IMPORTANT When using the 2198-KITCON-DSL feedback connector kit, the ambient temperature for the Kinetix 5500 drive enclosure is 0...50 °C (32...122 °F).

Figure 52 - MF Connector Wiring Example



IMPORTANT Cable preparation and positioning that provides a high-frequency bond between the shield braid and grounding plate is required to optimize system performance.

Table 42 - Motor Feedback (MF) Connector Specifications

Drive Cat. No.	Pin	Signal/ Wire Color	Wire Size AWG	Strip Length mm (in.)	Cover Screw Torque Value N·m (lb·in)
2198-Hxxx-ERSx	MF-1	D+/Blue	22	10.0 (0.39)	0.4 (3.5)
	MF-2	D-/White/Blue			

IMPORTANT The feedback bundle in 2090-CSxM1DF-18Axxx motor cables (typically used with frame 1 drives) route around the shield clamp (as shown in Figure 52). The feedback bundle in 2090-CSxM1DG-18, 2090-CSxM1xx-14, and 2090-CSBM1xx-10 motor cables (typically used with frame 2 and 3 drives) route with the power and brake wires inside the cable shield.

Apply the Single Motor-cable Shield Clamp

Factory-supplied 2090-Series single motor cables are shielded, and the braided cable shield must terminate at the drive during installation. A small portion of the cable jacket has been removed to expose the shield braid. The exposed area must be clamped (with the clamp provided) at the bottom front of the drive.



SHOCK HAZARD: To avoid hazard of electrical shock, make sure shielded power cables are grounded according to recommendations.

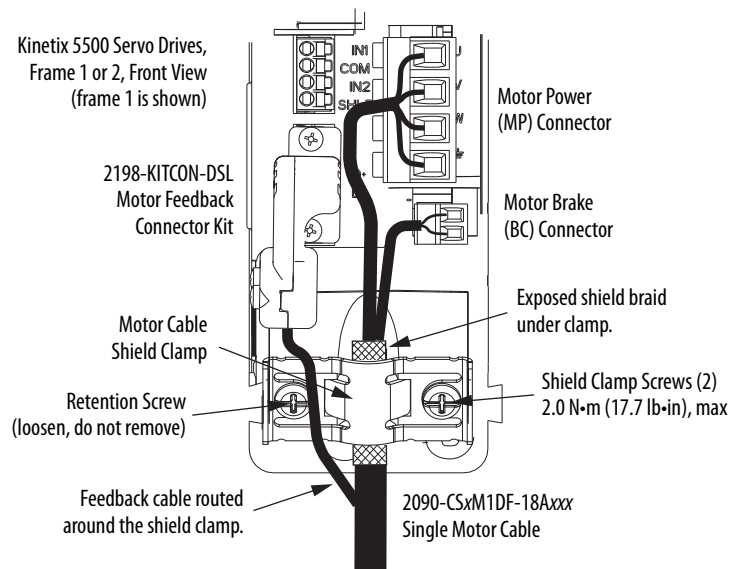
TIP Cables for Kinetix VP motors (catalog numbers 2090-CBxM1DF-18Axxx) do not route the feedback bundle under the shield clamp. The 2090-CSxM1DG-18, 2090-CSxM1xx-14, and 2090-CSBM1xx-10 motor cables have the feedback bundle within the cable shield braid.

This procedure assumes you have completed wiring your motor power, brake, and feedback connectors and are ready to apply the cable shield clamp.

Follow these steps to apply the motor cable shield clamp.

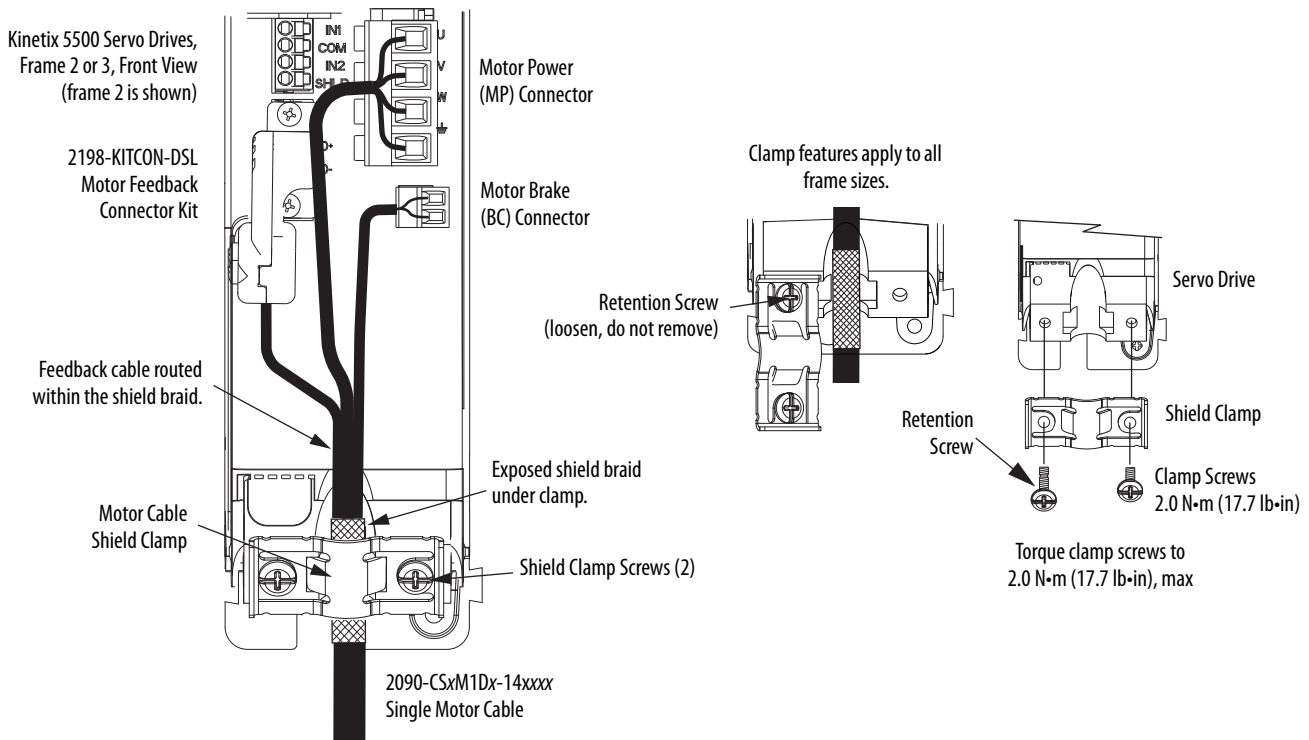
1. Loosen the left-side (retention) clamp screw and remove the right-side screw.

18 AWG Cable Installation



When the drive/motor combination calls for 18 AWG cable, the feedback cable routes around the motor cable shield clamp.

14 and 10 AWG Cable Installation Example



When the drive/motor combination calls for 14 or 10 AWG cable, the feedback cable routes along with the power and brake wiring.

2. Position the exposed portion of the cable shield directly in line with the clamp.

IMPORTANT Loosen the retention screw, if needed, until you can start threading both clamp screws with the cable shield under the clamp.

3. Tighten each screw a few turns at a time until the maximum torque value of 2.0 N•m (17.7 lb•in) is achieved.
4. Repeat [step 1](#) through [step 3](#) for each drive in multi-axis configurations.

Wire Other Allen-Bradley Motors and Actuators

Kinetix 5500 drives are also compatible with many other Allen-Bradley® motors and actuators, however the 2198-H2DCK Hiperface-to-DSL feedback converter kit is required for converting the 15-pin Hiperface feedback signals to 2-pin DSL feedback signals.

Follow these guidelines when 2090-CPxM7DF (power/brake) cables and 2090-CFBM7DF (feedback) cables are used in a new installation or reused in an existing installation with Kinetix 5500 servo drives. Kinetix MP servo motors and actuators have separate connectors for 2090-CPxM7DF power/brake cables and 2090-CFBM7DF feedback cables.

IMPORTANT To configure these additional motors and actuators (see [Table 44](#)) with your Kinetix 5500 servo drive, you must have drive firmware 2.002 or later. Refer to [Table 43](#) to determine if you need to install the Kinetix 5500 Add-on Profile.

Table 43 - AOP Installation Requirement

Drive Firmware Revision	Logix Designer Application Version	Kinetix 5500 AOP Needed?
2.002 or later	21.00	Yes
	21.03 or later ⁽¹⁾	No

(1) If you are planning to use drive firmware revision 4.001 or later, see [Version History](#) on [page 113](#).

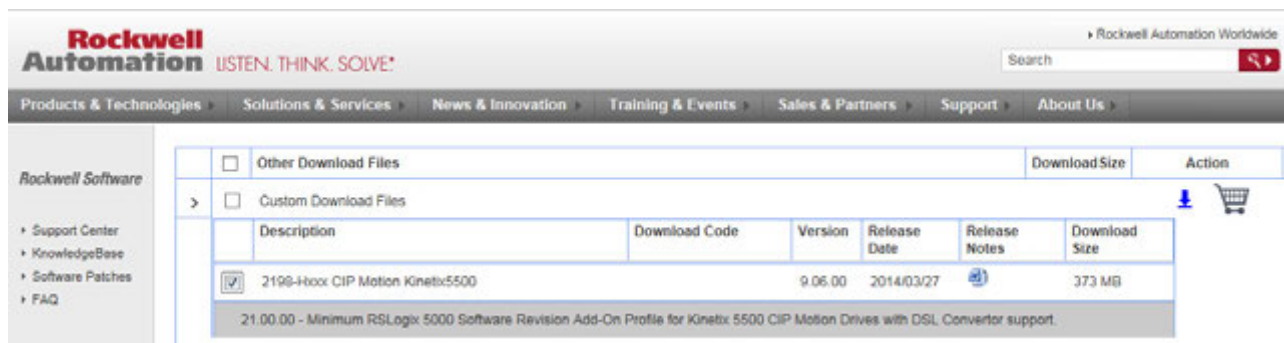
Install the Kinetix 5500 Add-On Profile

Add-On profiles (AOP) are available for download at the Custom Downloads Add-On Profiles website: <https://download.rockwellautomation.com/esd/download.aspx?downloadid=addonprofiles>

Follow these steps to download the Kinetix 5500 Add-On profile.

1. Login to the Custom Download Add-On Profiles website.

The Custom Download Files dialog box opens.



2. Check AOP for 2198-Hxxx CIP Motion Kinetix5500.
3. Click Download Now and accept the user license agreement.
If prompted to install the Download Manager, allow the installation.
4. Click the Add-On Profile icon and follow the download instructions.
5. Extract the AOP zip file and run Setup.

To access AOP downloads by using the Product Compatibility Download Center (PCDC), see [Install the Kinetix 5500 Add-On Profile](#) on [page 114](#).

Motor Power and Brake Connections

The motors and actuators in [Table 44](#) have separate power/brake and feedback cables. The motor power/brake cable attaches to the cable clamp on the drive and the power/brake conductors attach to the MP and BC connectors, respectively.

Table 44 - Current Motor Power Cable Compatibility

Motor/Actuator Cat. No. ⁽¹⁾	Motor Power Cat. No. ⁽²⁾ (with brake wires)	Motor Power Cat. No. ⁽²⁾ (without brake wires)
MPL-A/B15xxx-xx7xAA, MPL-A/B2xxx-xx7xAA, MPL-A/B3xxx-xx7xAA, MPL-A/B4xxx-xx7xAA, MPL-A/B45xxx-xx7xAA, MPL-A/B5xxx-xx7xAA, MPL-B6xxx-xx7xAA	2090-CPBM7DF-xxAAxx (standard) or 2090-CPBM7DF-xxAFxx (continuous-flex)	2090-CPWM7DF-xxAAxx (standard) or 2090-CPWM7DF-xxAFxx (continuous-flex)
MPM-A/Bxxxx, MPF-A/Bxxxx, MPS-A/Bxxxx		
MPAS-A/Bxxxx1-V05SxA, MPAS-A/Bxxxx2-V20SxA MPAI-A/Bxxxx, MPAR-A/B3xxx, MPAR-A/B1xxx and MPAR-A/B2xxx (series B)		
LDAT-Sxxxxxx-xDx	N/A	

(1) The 2198-H2DCK (series B or later) feedback converter kit is required.

(2) Refer to the Kinetix Motion Accessories Specifications Technical Data, publication [KNX-TD004](#), for cable specifications.

Refer to [Motor Power Connections](#) on [page 88](#) and [Motor Brake Connections](#) on [page 89](#) for the MP and BC connector specifications.

Table 45 - Legacy Motor Power Cables

Motor Cable	Description	Motor Power Cat. No.
Standard	Power/brake, threaded	2090-XXNPMF-xxSxx
	Power-only, bayonet	2090-XXNPMP-xxSxx
Continuous-flex	Power/brake, threaded	2090-CPBM4DF-xxAFxx
	Power-only, threaded	2090-CPWM4DF-xxAFxx
	Power-only, bayonet	2090-XXTPMP-xxSxx

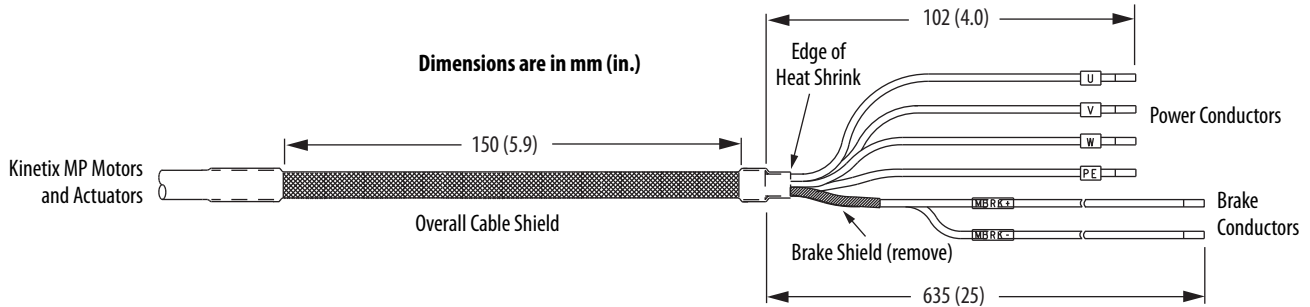
Table 46 - Induction Motor Power Cable Specifications

Cable Manufacturer	Cable Series	Voltage Rating	Temperature Rating
Belden	29500-29507	600V	90 °C (194 °F)
Lapp Group	ÖLFEX VFD XL		
SAB	VFD XLPE TR		

Motor Power/Brake Cable Series Change

Motor power and brake conductors on 2090-CPBM7DF (series A) cables have the following dimensions from the factory. If your cable is reused from an existing application, the actual conductor lengths could be slightly different.

Figure 53 - 2090-CPBM7DF (series A) Power/brake Cable Dimensions

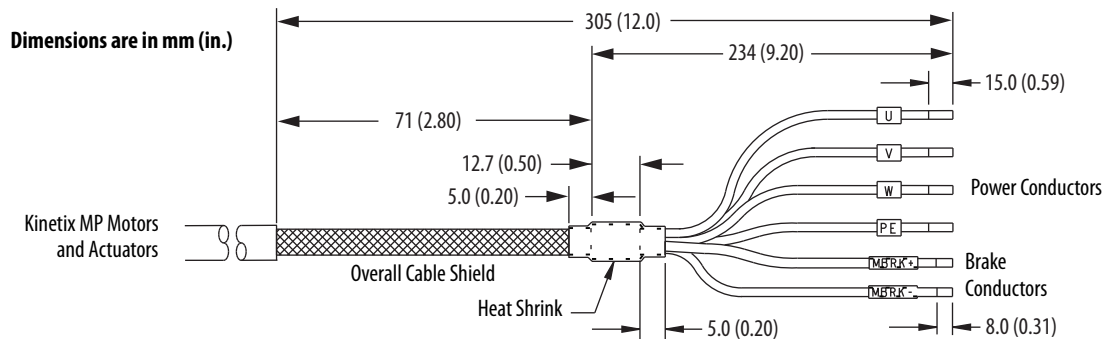


To reuse your existing (series A) Bulletin 2090 cables with Kinetix 5500 drives, some preparation is necessary so that the cable shield, conductor, and strip lengths are correct. Follow these cable preparation guidelines:

- Trim the shield flush so that no strands can short to adjacent terminals.
- Measure the conductor lengths and include a service loop.
- Remove just enough insulation to provide the proper strip length.

Motor power and brake conductors on 2090-CPBM7DF (series B) 12 and 10 AWG standard (non-flex) cables provide drive-end shield braid and conductor preparation modified for compatibility with multiple Kinetix servo drive families, including Kinetix 5500 drives.

Figure 54 - 2090-CPBM7DF (series B, 10 or 12 AWG) Power/brake Cable Dimensions



Maximum Cable Lengths

Combined motor cable length for all axes on the same DC bus must not exceed 250 m (820 ft). The maximum drive-to-motor cable length for Kinetix 5500 drives and motor/actuator combinations with 2090-C_{xx}M7DF cables is 20 m (65.6 ft); however, you can replace the existing motor power/brake cable with a 2090-CSBM1DF or 2090-CSBM1DG single motor cable to extend the length up to 50 m (164 ft).

IMPORTANT The option to replace 2090-CPBM7DF power/brake cables with 2090-CSBM1DF/DG single cables applies to only 18 and 14 AWG single cables. 2090-CSBM1Dx-10xxxx (10 AWG/M40 connector) single cables are not compatible with 2090-CPBM7DF-10Axxx (10 AWG/M40 connector) power/brake cables.

When replacing your existing motor power/brake cable with a 2090-CSBM1DF/DG single motor cable, only the motor power and brake conductors are used. Cut off the feedback conductors in the single motor cable and reuse the existing 2090-Series feedback cable.

Motor Power/Brake Cable Preparation

2090-CPBM7DF (series B) cables are available with 12 and 10 AWG motor-power conductor sizes. So, 14 AWG cables used on frame 3 drives, which are physically taller, require preparation.

Cable Preparation for Frame 1 and Frame 2 Drives

For frame 1 and frame 2 drives, the 2090-CPBM7DF (16 and 14 AWG) power conductor length, 102 mm (4.0 in.), is sufficiently long to reach the MP connector plug and provide adequate stress relief.

The brake conductor length, 635 mm (25 in.), is much longer than necessary. We recommend that you measure 163 mm (6.4 in.) from the edge of the cable jacket (that is covered by heat shrink) and trim off the rest.

Refer to [Figure 56](#) and on [page 99](#) for a typical installation example. For strip lengths and torque values, refer to [Table 40](#) on [page 89](#).

Cable Preparation for Frame 3 Drives

2090-CPBM7DF (series B) 12 and 10 AWG cables are designed for use with Kinetix 5500 drives and do not require any modifications.

For frame 3 drives, 2090-CPBM7DF (14 AWG) cables, and 12 and 10 AWG (series A) cables, the overall length of the cable preparation area needs to be increased for the motor power conductors to reach the MP connector and also provide a proper service loop.

Follow these steps to prepare your existing 14 AWG cables, and 12 and 10 AWG (series A) cables.

1. Remove a total of 325 mm (12.8 in.) of cable jacket from your existing cable.

This exposes additional cable shield.

2. Remove all but 63.5 mm (2.5 in.) of the shield.
3. Cover 12.5 mm (0.5 in.) of the shield ends and an equal length of the conductors with 25 mm (1.0 in.) of electrical tape or heat shrink.

Do the same on the other side of the cable shield. This keeps the shield ends from fraying and holds the conductors together.

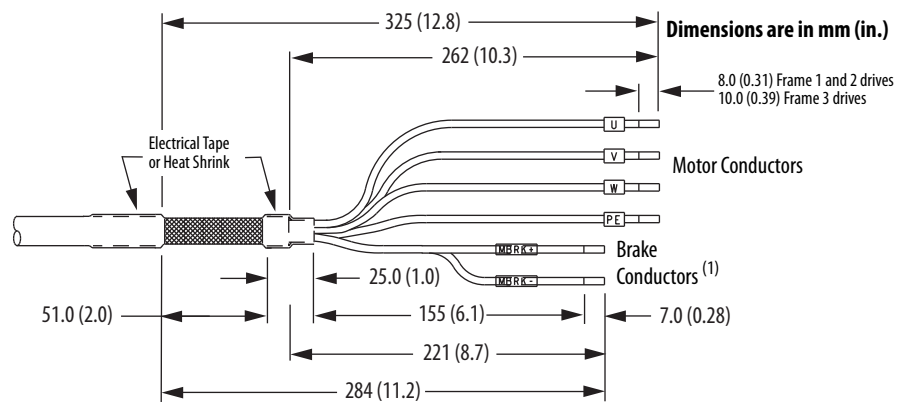
4. Cut the brake conductors back to 163 mm (6.4 in.) and trim the shield braid at the base of the jacket.

The shield braid covering the brake conductors is not needed.

5. Remove the specified length of insulation from the end of each wire.

This example applies to existing 2090-CPBM7DF (14 AWG) cables, and 12 and 10 AWG (series A) cables. If you are using a 2090-CSBM1DF/DG single motor cable, you can remove the shield braid covering the brake conductors.

Figure 55 - Power/brake Cable (14, 12, and 10 AWG)



(1) The overall shield braid covering the brake conductors can be removed.

Refer to [Figure 56](#) and on [page 99](#) for a typical installation example. For strip lengths and torque values, refer to [Table 40](#) on [page 89](#).

Apply the Motor Power/brake Shield Clamp

The power/brake cable shield attaches to the drive cable clamp. A clamp spacer is included with the 2198-H2DCK feedback converter kit for cable diameters that are too small for a tight fit within the drive clamp alone.



SHOCK HAZARD: To avoid hazard of electrical shock, make sure shielded power cables are grounded according to recommendations.

Follow these steps to apply the motor power/brake shield clamp.

1. Route the conductors with service loops to provide stress relief to the motor power and brake conductors.
2. Make sure the cable clamp tightens around the cable shield and provides a good bond between the cable shield and the drive chassis.

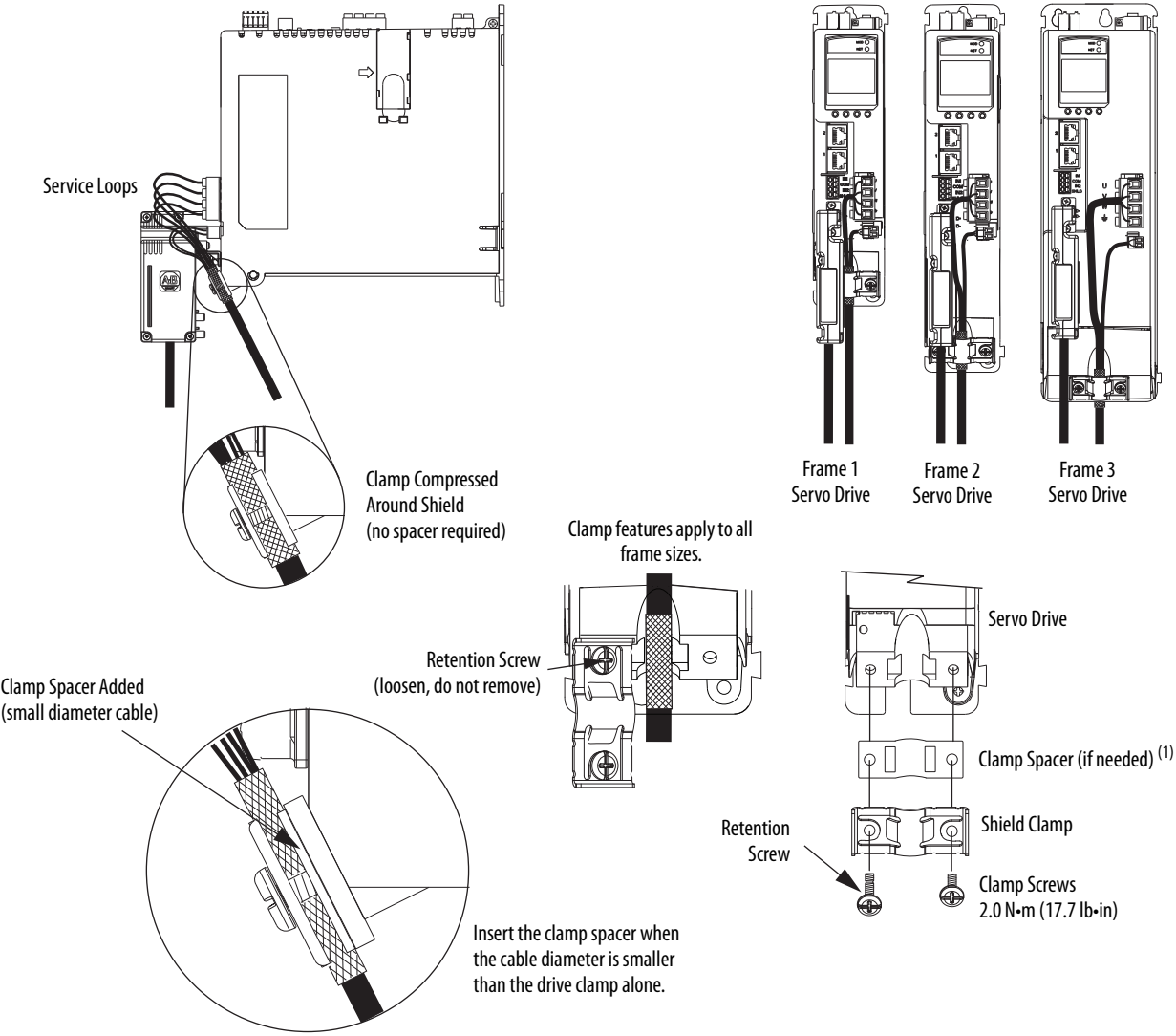
IMPORTANT Loosen the retention screw, if needed, until you can start threading both clamp screws with the cable shield under the clamp.

3. Tighten each screw, a few turns at a time, until the maximum torque value of 2.0 N•m (17.7 lb•in) is achieved.

IMPORTANT If the power/brake cable shield has a loose fit inside the shield clamp, insert the clamp spacer between the shield clamp and the drive to reduce the clamp diameter. When the clamp screws are tight, 2.0 N•m (17.7 lb•in), the result must be a high-frequency bond between the cable shield and the drive chassis.

Refer to [Figure 56](#) on [page 99](#) for a cable-clamp attachment illustration.

Figure 56 - Cable Clamp Attachment



(1) The clamp spacer is included with the Hiperface-to-DSL feedback converter kit, catalog number 2198-H2DCK.

Motor Feedback Connections

The feedback cable attaches to the 2198-H2DCK converter kit and is wired to the 10-pin connector. Bulletin 2090 feedback cables require preparation to make sure the shield clamp attaches properly and conductors route smoothly to the 10-pin connector terminals.

IMPORTANT When using the 2198-H2DCK feedback connector kit and Bulletin 2090 feedback cables listed in [Table 47](#) or [Table 48](#), the ambient temperature for the Kinetix 5500 drive enclosure is derated to 0...40 °C (32...104 °F).

All of the current and legacy feedback cables listed below are compatible with the 2198-H2DCK (series B or later) converter kit.

IMPORTANT Only Allen-Bradley motors and actuators with single-turn or multi-turn high-resolution absolute encoders are compatible.

Table 47 - Motor Feedback Cable Compatibility

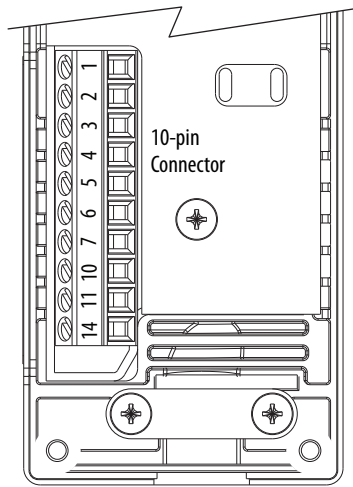
Motor/Actuator Family	Motor/Actuator ⁽¹⁾ Cat. No.	Feedback Cable Cat. No.
Kinetix MPL low-inertia motors	MPL-A/B15xxx-V/Ex7xAA MPL-A/B2xxx-V/Ex7xAA	2090-CFBM7DF-CEAAxx 2090-CFBM7DD-CEAAxx 2090-CFBM7DF-CERAxx (standard) or 2090-CFBM7DF-CEAFxx 2090-CFBM7DD-CEAFxx 2090-CFBM7DF-CDAFxx (continuous-flex)
	MPL-A/B3xxx-S/Mx7xAA MPL-A/B4xxx-S/Mx7xAA MPL-A/B45xxx-S/Mx7xAA MPL-A/B5xxx-S/Mx7xAA MPL-B6xxx-S/Mx7xAA	
Kinetix MPM medium-inertia motors	MPM-A/Bxxxx-S/M	
Kinetix MPF food-grade motors	MPF-A/Bxxxx-S/M	
Kinetix MP stainless-steel motors	MPS-A/Bxxxxx-S/M	
Kinetix MPAS integrated linear stages	MPAS-A/Bxxxx1-V05SxA MPAS-A/Bxxxx2-V20SxA	
Kinetix MPAR electric cylinders	MPAR-A/B1xxxx-V and MPAR-A/B2xxxx-V (series B) MPAR-A/B3xxxx-M	
Kinetix MPAL heavy-duty electric cylinders	MPAL-A/BxxxxxM3	
LDAT-Series linear thrusters	LDAT-Sxxxxxx-xDx	

(1) The 2198-H2DCK (series B or later) feedback converter kit is required.

Table 48 - Legacy Motor Feedback Cables

Motor Cable	Description	Feedback Cable Cat. No.
Standard	Encoder feedback, threaded	2090-XXNFMF-Sxx 2090-UXNFBMF-Sxx
	Encoder feedback, bayonet	2090-UXNFBMP-Sxx 2090-XXNFMP-Sxx
Continuous-flex	Encoder feedback, bayonet	2090-XXTFMP-Sxx
	Encoder feedback, threaded	2090-CFBM4DF-CDAFxx

Figure 57 - 2198-H2DCK Converter Kit Pinout



Terminal	Signal	Wire Color	Strip Length mm (in.)	Torque Value N·m (lb·in)
1	SIN+	Black	5.0 (0.2)	0.22...0.25 (1.9...2.2)
2	SIN-	White/Black		
3	COS+	Red		
4	COS-	White/Red		
5	DATA+	Green		
6	ECOM ⁽¹⁾	White/Gray		
7	EPWR_9V ⁽²⁾	Orange		
10	DATA-	White/Green		
11	TS	White/Orange		
14	EPWR_5V ⁽²⁾	Gray		

- (1) The ECOM and TS- connections are tied together and connect to the cable shield.
- (2) The converter kit generates 5V and 9V from a 12V supply coming from the drive. The 5V supply is used by 5V encoders in 230V motors. The 9V supply is used by 9V encoders in 460V motors.

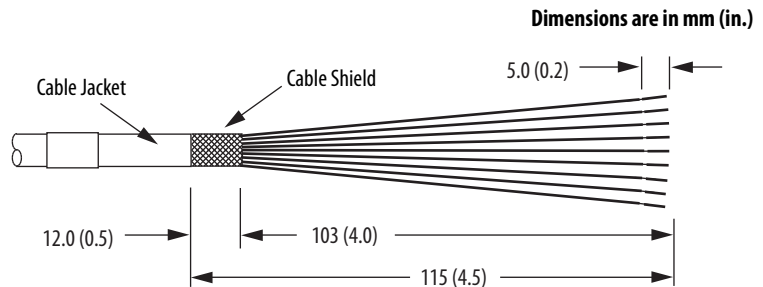
Motor Feedback Cable Preparation

Follow these steps to prepare feedback cables.

1. Remove 115 mm (4.5 in.) of cable jacket and 103 mm (4.0 in.) of cable shield.

IMPORTANT This length of wire is needed to provide a service loop for the longest wires terminated at the 10-pin connector. However, most wires need to be trimmed shorter, depending on the terminal they are assigned to.

2. Determine the length for each of the 10 wires and trim as necessary.
3. Remove 5.0 mm (0.2 in.) of insulation from the end of each wire.



Apply the Converter Kit Shield Clamp

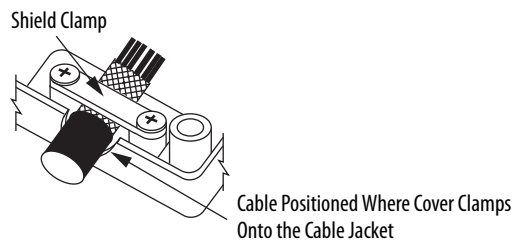
Follow these steps to apply the converter kit shield clamp.

1. Apply the shield clamp to the 12 mm (0.5 in.) of exposed cable shield to achieve a high-frequency bond between the shield braid and clamp.

IMPORTANT Cable preparation and positioning that provides a high-frequency bond between the shield braid and clamp is required to optimize system performance.

Also, make sure that the cable is positioned where the cover clamps onto the jacket for added stress relief.

Apply 0.30 N•m (2.6 lb•in) torque to each screw.



2. Route and insert each wire to its assigned terminal.

Include a service loop, as shown in [Figure 58](#), and refer to the connector pinout in [Figure 57](#).

3. Tighten each terminal screw.

Apply 0.22...0.25 N•m (1.9...2.2 lb•in) torque to each screw.

4. Gently pull on each wire to make sure it does not come out of its terminal; reinsert and tighten any loose wires.
5. Attach the tie wrap for added stress relief.

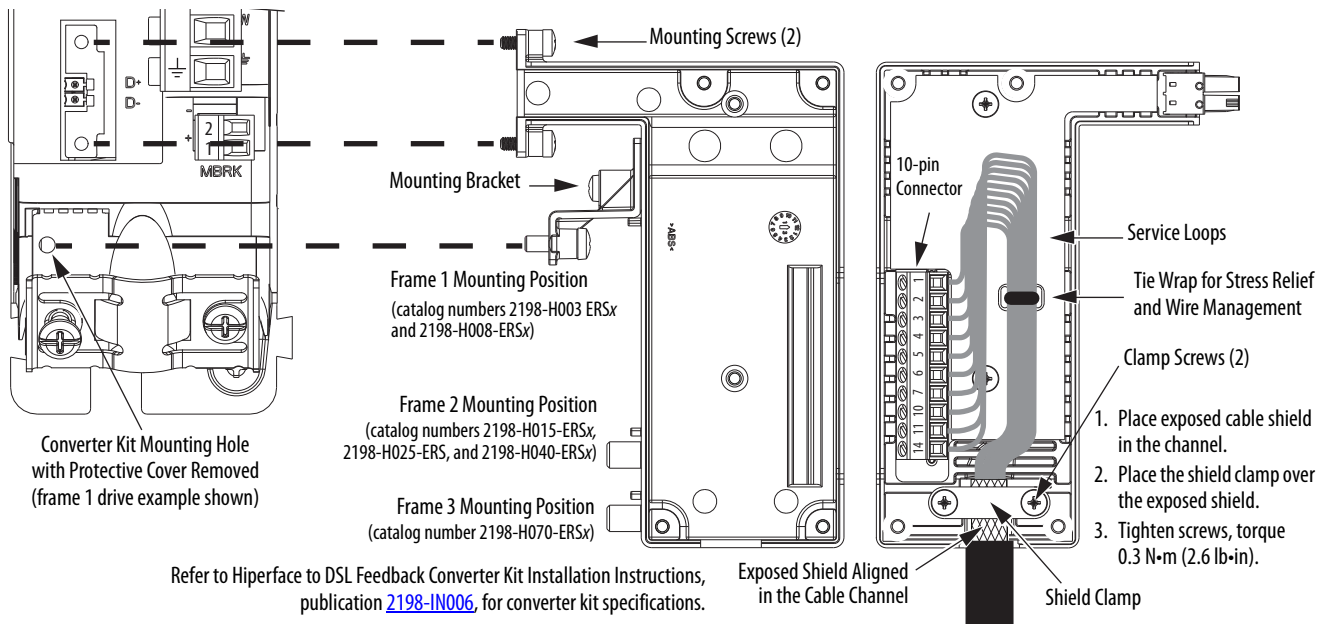
Table 49 - 2090-CFBM7DF-CEAxxx Feedback Cables

Rotary Motors	MPL-B15xxx...MPL-B2xxx-V/Ex4/7xAA MPL-B3xxx...MPL-B6xxx-M/Sx7xAA MPL-A5xxx-M/Sx7xAA	MPL-A15xxx...MPL-A2xxx-V/Ex4/7xAA MPL-A3xxx-M/Sx7xAA MPL-A4xxx-M/Sx7xAA MPL-A45xxx-M/Sx7xAA MPM-A115xxx...MPM-A130xxx-M/S MPF/MPS-A3xx-M/S MPF/MPS-A4xx-M/S MPF/MPS-A45xx-M/S MPS-A5xxx-M/S	2198-H2DCK Converter Kit Pin
	MPM-A165xxx...MPM-A215xxx MPM-Bxxxx-M/S MPF-Bxxx-M/S MPF-A5xxx-M/S MPS-Bxxx-M/S		
Linear Actuators	MPAS-Bxxxx-VxxSxA MPAR-Bxxxx, MPAI-Bxxxx LDAT-Sxxxxxx-xDx	MPAS-Axxxx-VxxSxA MPAR-Axxxx, MPAI-Axxxx	
1	Sin+	Sin+	1
2	Sin-	Sin-	2
3	Cos+	Cos+	3
4	Cos-	Cos-	4
5	Data+	Data+	5
6	Data-	Data-	10
9	Reserved	EPWR_5V	14
10	ECOM	ECOM	6 ⁽¹⁾
11	EPWR_9V	Reserved	7
12	ECOM	ECOM	6
13	TS	TS	11

(1) The ECOM and TS- connections are tied together and connect to the cable shield.

A mounting bracket is included with the 2198-H2DCK converter kit to secure the kit to the drive. Install the mounting bracket in the mounting position specific to the frame size of your drive.

Figure 58 - Wire the 2198-H2DCK Feedback Converter Kit



Capacitor Module Connections

Follow these guidelines when wiring the 2198-CAPMOD-1300 capacitor module:

- Wire output (MS) connections to the Logix 5000™ controller (optional).
- Refer to [Kinetix 5500 Capacitor Module](#) wiring example on [page 195](#).
- Refer to [Kinetix 5500 Capacitor Module Status Indicators](#) on [page 159](#) for troubleshooting the module status indicator and relay output.
- Refer to the installation instructions provided with your Bulletin 2198 capacitor module, publication [2198-IN004](#).

IMPORTANT To improve system performance, run wires and cables in the wireways as established in [Chapter 2](#). Connections to the DC-bus must be made with the shared-bus connection system.

Figure 59 - MS Connector Wiring

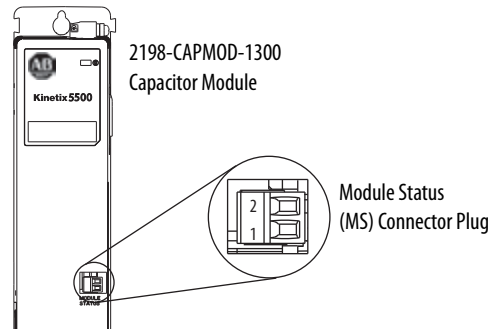


Table 50 - Capacitor Module Connector Specifications

Connector Description	Pin	Signal	Recommended Wire Size mm ² (AWG)	Strip Length mm (in.)	Torque Value N·m (lb·in)
Module Status	MS-1 MS-2	MS MS	0.14...1.5 (28...16)	7.0 (0.28)	0.22...0.25 (1.9...2.2)
PELV/SELV 24V power (plug)	CP-1 CP-2	24V+ 24V-	0.5...2.5 (20...14)	7.0 (0.28)	0.22...0.25 (1.9...2.2)
DC-bus power	Bus-bar	DC- DC+	N/A ⁽¹⁾	N/A ⁽¹⁾	N/A ⁽¹⁾

(1) DC bus connections are always made from one drive module to another over the shared-bus connection system. These terminals do not receive discrete wires.

External Passive-shunt Resistor Connections

Follow these guidelines when wiring your 2097-Rx shunt resistor:

- Refer to [External Passive Shunt Resistor](#) on [page 47](#) for noise zone considerations.
- Refer to [Shunt Resistor Wiring Example](#) on [page 198](#).
- Refer to the installation instructions provided with your Bulletin 2097 shunt resistor, publication [2097-IN002](#).

IMPORTANT To improve system performance, run wires and cables in the wireways as established in [Chapter 2](#).

Figure 60 - RC Connector Wiring

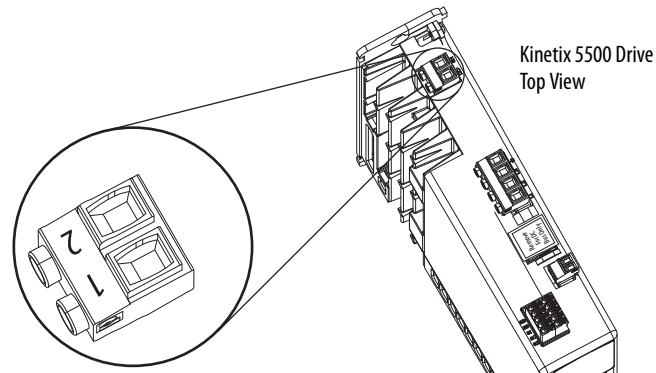


Table 51 - Shunt Resistor (RC) Connector Specifications

Drive Cat. No.	Pin	Signal	Recommended Wire Size mm ² (AWG)	Strip Length mm (in.)	Torque Value N·m (lb·in)
2198-H003-ERSx 2198-H008-ERSx	RC-1 RC-2	SH DC+	0.5...4.0 (20...12)	8.0 (0.31)	0.5...0.6 (4.4...5.3)
2198-H015-ERSx 2198-H025-ERSx 2198-H040-ERSx 2198-H070-ERSx	RC-1 RC-2	DC+ SH			

IMPORTANT You must disconnect the internal shunt wires at the RC connector before connecting the Bulletin 2097 shunt resistor wires.

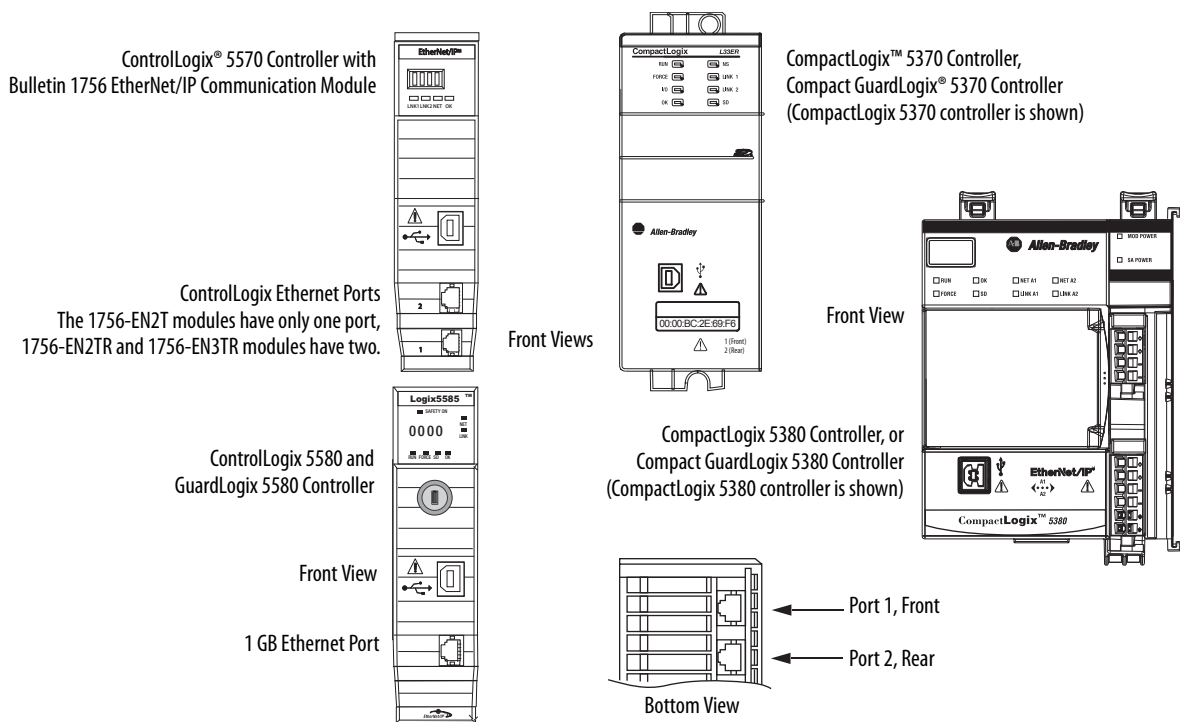
Ethernet Cable Connections

This procedure assumes you have your Logix 5000 controller and Kinetix 5500 drive modules mounted and are ready to connect the network cables.

The EtherNet/IP™ network is connected by using the PORT 1 and PORT 2 connectors. Refer to [page 62](#) to locate the Ethernet connectors on your Kinetix 5500 drive. Refer to [Figure 61](#) to locate the connectors on your Logix 5000 controller.

Shielded Ethernet cable is required and available in several standard lengths. Ethernet cable lengths connecting drive-to-drive, drive-to-controller, or drive-to-switch must not exceed 100 m (328 ft). Refer to the Kinetix Motion Accessories Specifications Technical Data, publication [KNX-TD004](#), for more information.

Figure 61 - ControlLogix and CompactLogix Ethernet Port Locations



These Logix 5000 controllers accept linear, ring (DLR), and star network configurations. Refer to [Typical Communication Configurations](#) on [page 23](#) for linear, ring, and star configuration examples.

IMPORTANT When using an external Ethernet switch for routing traffic between the controller and the drive, switches with IEEE-1588 time synchronization capabilities (boundary or transparent clock) must be used to make sure switch delays are compensated.

Configure and Start the Kinetix 5500 Drive System

This chapter provides procedures for configuring your Kinetix® 5500 drive system with a Logix 5000™ controller.

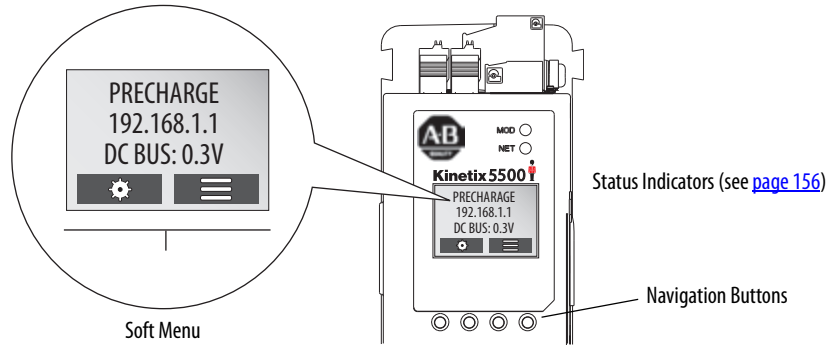
Topic	Page
Understand the Kinetix 5500 Display	108
Configure the Drive	113
Studio 5000 Logix Designer	113
Configure the Logix 5000 Controller	115
Configure Feedback-only Axis Properties	129
Configure Induction-motor Frequency-control Axis Properties	130
Configure SPM Motor Closed-loop Control Axis Properties	138
Download the Program	142
Apply Power to the Kinetix 5500 Drive	143
Understand Bus-sharing Group Configuration	144
Test and Tune the Axes	148




TIP Before you begin, make sure you know the catalog number for each drive component, the Logix module and /or controller, and the servo motor used in your motion control application.

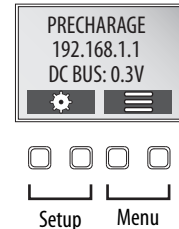
Understand the Kinetix 5500 Display

The Kinetix 5500 drive has two status indicators and an LCD status display. The indicators and display are used to monitor the system status, set network parameters, and troubleshoot faults. Four navigation buttons are directly below the display and are used to select items from a soft menu.

Figure 62 - Kinetix 5500 Drive LCD Display and Status Indicators

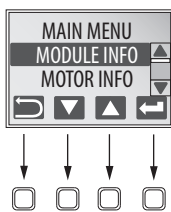










This is the Home  screen. The setup selections  are tied to the two Setup (left-side) buttons and the menu selections  are tied to the two Menu (right-side) buttons.



The soft menu provides a changing selection that corresponds to the current screen. Use the navigation buttons to perform the following.

Each soft menu item is executed by pressing the navigation button directly below the item, as shown in this example.



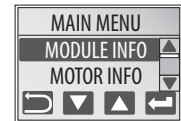
	Press to go back. Pressing enough times results in the Home  screen.
 	Pressing either arrow moves the selection to the next (or previous) item. When changing values, pressing the up arrow increments the highlighted value. Values rollover after reaching the end of the list.
	Press to select values to change, moving from right to left. Values rollover when reaching the end of the list.
	Press to select a menu item.
	Press to return to the Home screen.
	Press to display the fault help (possible solutions in troubleshooting tables). ⁽¹⁾

(1) For Kinetix 5500 fault codes and descriptions, see the Knowledgebase Answer ID: [1091726](https://www.rockwellautomation.com/literature/0-101-1726-01/0-101-1726-01.pdf).

Menu Screens

The menu screens provide information about the drives, motors, diagnostics, and the fault log. Parameters cannot be updated in the menu screens. Press one of the menu buttons to access the menu.

You can use the soft menu items and navigation buttons to view the information.



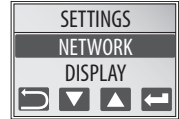
Menu/Sub Menu Selections	Attributes	Description	Example Values
Drive Info	Catalog number		2198-Hxxx-ERSx
	Firmware revision		FW REV: 1.1.450167
	Hardware revision		HW REV: 1.1
	Serial number		SERIAL#: xxxxxxxxxxxx
Motor Info	Model number		MODEL: VPL-B1306F
	Serial number		SERIAL#: xxxxxxxxxxxx
Diagnostics> Drive Diagnostics	Bus diagnostics		BUS VOLT: 0.0V
			BUS CUR: 0.0A
	Converter diagnostics		CONV UTIL: 0.7%
			CONV TEMP: 31.7C
	Inverter diagnostics		INV UTIL: 0.0%
			INV TEMP: 31.7C
Diagnostics> Motor Diagnostics	Motor speed		SPEED:0.0 RPM
	Motor current		MTR CUR:0.0A RMS
	Motor utilization		MTR UTIL:0.0%
	Motor temperature		MTR TEMP:0.00C
Diagnostics> Encoder Diagnostics	Serial number		SERIAL#xxxxxxxxxx
	Resolution		RESOLUTION: 262144
	Number of turns		NO OF TURNS: 1
	Encoder temperature		ENC TEMP:33.7C
	Supply voltage		SUPP VOLT:11.3V
	Link quality	The link quality attribute indicates how noisy a communication link is and also indicates if there is a communication link already established at the drive end. The LINK QUAL value must always be 100%. Persistent values below 100% indicates a poor feedback ground connection.	LINK QUAL: 100.0%
	Remote signal strength indicator	Similar to Link Quality, RSSI reports the quality of link as seen at the motor end by the encoder. Maintain the RSSI value between 80 and 100%. Persistent values below 80% indicates a poor feedback ground connection.	RSSI: 100.0%
	Accumulated position errors	This is an aggregated number of errors in the primary position feedback channel of DSL feedback.	POS ERRORS: 1
	Channel position errors	This is an aggregated number of errors on a secondary communication channel of the DSL feedback.	CHNL ERRORS: 5
Fault Log	Fault text	Fault code as listed in the Kinetix 5500 Knowledgebase Article ⁽¹⁾	FLT S20 - CONV OVERLOAD FL
	Fault details	The problem as reported in the Kinetix 5500 Knowledgebase Article ⁽¹⁾	The converter thermal model indicates that the temperature has exceeded the factory set capacity rating of 110%.
	Fault help	The Possible Solution as reported in the Kinetix 5500 Fault Codes.xlsx file. ⁽¹⁾	<ul style="list-style-type: none"> Reduce the number of drives in the same bus group Reduce duty-cycle of commanded motion


(1) For Kinetix 5500 fault codes and descriptions, see the Knowledgebase Article ID: [1091726](#)

Setup Screens

The setup screens provide the means of changing drive settings, for example, the IP address. Press one of the setup buttons to access the setup screens.

You can use the soft menu items and navigation buttons to view the information and make changes.



Press  to validate your changes:

- If the change is invalid, the value doesn't change.
- If the change is valid, an asterisk appears next to the changed attribute.



IMPORTANT You must cycle control power to make network configuration changes persistent. In this example, the IP address was changed. The change takes affect and the asterisk disappears after control power is cycled. Display configuration changes take effect immediately.

Table 52 - Navigating the Settings Menu

Settings Menu Selections	Sub Menu Selections	Attributes	Default	Description
Protected Mode	Reset	ENABLED DISABLED	ENABLED	When Enabled (default), identity object or safety resets are not possible when a controller connection is open.
	Network Config	ENABLED DISABLED	ENABLED	When Enabled (default), network configuration changes are not possible when a controller connection is open.
	Flash Update	ENABLED DISABLED	ENABLED	When Enabled (default), firmware updates are not possible when a controller connection is open.
	Device Config	ENABLED DISABLED	ENABLED	When Enabled (default), only attribute writes are possible when a controller connection is open.
Network	->Static IP ⁽²⁾	IP address	192.168.1.1	Indicates current IP address
		Subnet mask	255.255.255.000	Indicates current subnet mask
		Gateway	192.168.001.001	Indicates current gateway
	DHCP	On		Turns DHCP on
	Off		Turns DHCP off	
Display	Backlight Timeout	30 sec... NEVER (NEVER=no timeout period, the backlight is always on)	-> 3 min ⁽²⁾	Sets backlight timeout period of the display
	Cyclic Data Select ⁽³⁾	->DC BUS ⁽²⁾		DC bus voltage
		CONV UTIL		Converter utilization in percent
		CONV TEMP		Converter temperature in °C
		SHUNT UTIL		Shunt utilization in percent
		INV UTIL		Inverter utilization in percent
		INV TEMP		Inverter temperature in °C
		MOTOR UTIL		Motor utilization in percent
		SPEED		RPM
		OUT PWR		Output power in watts
		OUT FREQ		Output frequency in hertz
	OUT CUR		Output current in amps	
	Contrast	-10...+10	0	Contrast setting of the display
Safety ⁽¹⁾	Reset Ownership	Are you sure?		Resets safety ownership (reset fails after 30 seconds)
Web	Enabled			Enables the web server
	->Disabled			Disables the web server

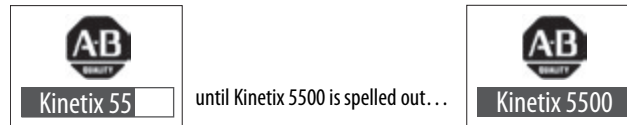
(1) The Safety menu applies to only 2198-Hxxx-ERS2 drives.

(2) An arrow (->) appears in front of the chosen attribute indicating that this attribute is currently configured. This is also the factory default setting.

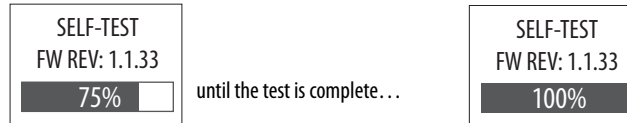
(3) The DC bus voltage is one of several cyclic data attributes. You can select any of the Cyclic Data Select attributes to be displayed on the Home screen.

Startup Sequence

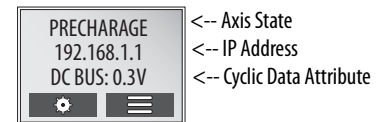
On initial powerup, the drive performs a self test. Upon successful completion, the drive firmware revision is displayed.



then...



Next, the axis state, the IP address, and the default cyclic data attribute (in this example DC bus voltage) appears. In addition, the setup and menu soft keys are displayed. This is the Home screen.



In this example PRECHARGE is the axis state attribute. [Table 53](#) lists the other axis states and their descriptions.

Table 53 - Axis States on the Home Screen

Axis State	Description
STANDBY	The drive is waiting to receive configuration information from the controller.
CONNECTING	The drive is trying to establish communication with the EtherNet/IP™ controller.
CONFIGURING	The drive is receiving configuration information from the controller.
SYNCING	The drive is waiting for a successful Group Sync service.
STOPPED	The drive is fully configured, but the control loops are not enabled.
PRECHARGE	The drive is ready for mains input power.
STARTING	The drive is enabled and checking various conditions before entering the RUNNING or TESTING state. For example, the drive checks the Brake Release delay time during the STARTING state.
RUNNING	<ul style="list-style-type: none"> The drive is enabled, configured with an active control mode, and actively tracking a command. The drive is configured for No Control and is fully operational.
TESTING	The drive is actively executing a test procedure, for example, a hookup test.
STOPPING	The drive is decelerating to a stop as the result of a disable.
ABORTING	The drive is decelerating to a stop as the result of a fault or an abort request.
MAJOR FAULTED	The drive is faulted due to an existing or past fault condition.
START INHIBITED	The drive has an active condition that inhibits it from being enabled.
SHUTDOWN	The drive has been shut down.

Configure the Drive


You can include the drive in your Studio 5000 Logix Designer® application by adding it to a configured EtherNet/IP module or controller under the I/O configuration tree. After setting network parameters, you can view the drive status information in Studio 5000® environment and use it in your Logix Designer application.

Set the Network Parameters

You must program network parameters by using the LCD display.

1. From the LCD display, select SETUP>NETWORK and choose between STATIC IP and DHCP.

The default setting is STATIC IP.

2. If STATIC IP, then press  to configure the following parameters:
 - IP address
 - Gateway
 - Subnet mask

Settings are stored in nonvolatile memory. IP addressing can also be changed through the Module Configuration dialog box in RSLinx® software. Changes to the IP addressing take effect after power is cycled. The drive is factory programmed to static IP address of 192.168.1.1.

Refer to [Setup Screens](#) on [page 110](#) for help setting the network parameters.

Studio 5000 Logix Designer

For help using the Studio 5000 Logix Designer application as it applies to configuring the ControlLogix® or CompactLogix™ controllers, refer to [Additional Resources](#) on [page 12](#).

Version History

Each release of the Studio 5000 Logix Designer application makes possible the configuration of additional Allen-Bradley® motors, actuators, and drive features not available in previous versions.

IMPORTANT To configure these additional drive features with your Kinetix 5500 servo drive, you must have drive firmware 4.001 or later. Refer to [Table 54](#) to determine if you need to install the Kinetix 5500/5700 Add-on Profile.

Table 54 - AOP Installation Requirement

Drive Firmware Revision	Logix Designer Application Version	Kinetix 5500/5700 AOP Needed?
4.001	26.00 or 27.00	Yes
	28.00 or later	No
5.001	26.00, 27.00, or 28.00	Yes
	29.00 or later	No
7.001 or later ⁽¹⁾	29.00 or later	No

(1) Drive firmware 7.001 enhancements are available only with the Studio 5000 Logix Designer, version 29.00 or later, firmware update. The AOP for firmware 7.001 is not available.

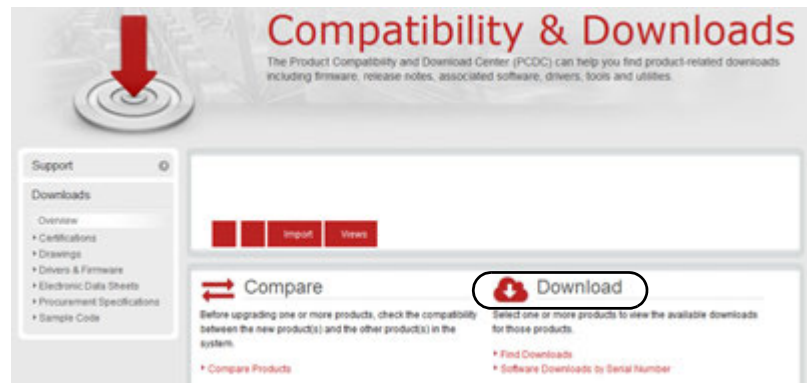
Install the Kinetix 5500 Add-On Profile

Download Add-On profiles (AOP) from the Product Compatibility Download Center (PCDC) website:

<http://compatibility.rockwellautomation.com/Pages/home.aspx>.

Follow these steps to download the Kinetix 5500 Add-On profile.

1. Go to the Product Compatibility Download Center.
The Compatibility & Downloads webpage appears.
2. Click Download.



3. Enter Kinetix 5500 in the Search PCDC window.
4. Click the appropriate firmware revision and follow prompts to download.
5. Extract the AOP zip file and run Setup.

Configure the Logix 5000 Controller

These procedures assume that you have wired your Kinetix 5500 drive system. In this example, the GuardLogix® 5580 safety controller, and CompactLogix 5380 controller dialog boxes are shown.

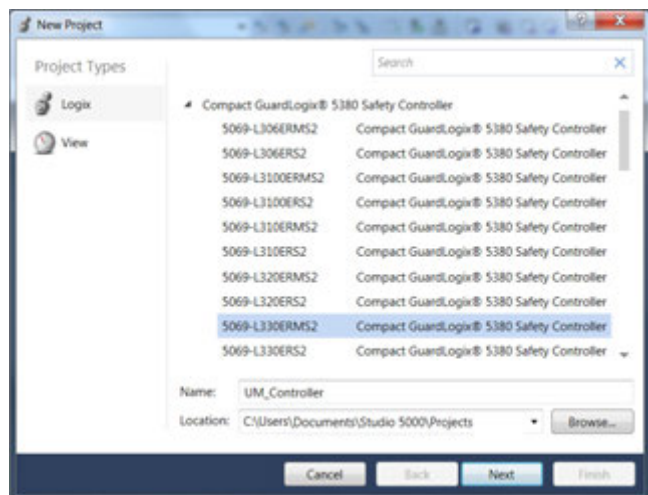
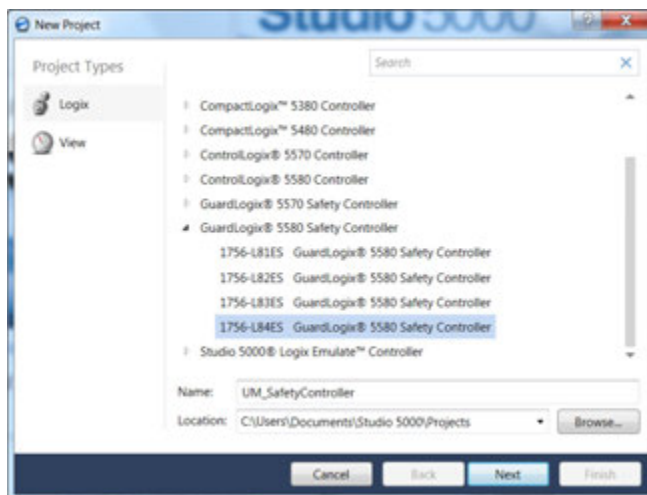
Follow these steps to configure the controller.

1. Apply power to your controller and open your Logix Designer application.



2. From the Create menu, choose New Project.

The New Project dialog box appears.



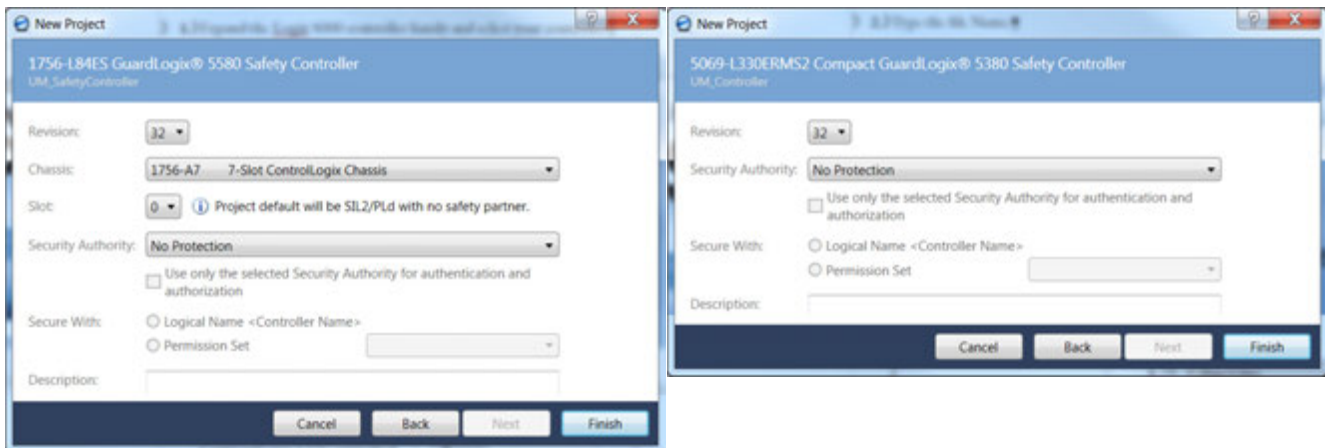
IMPORTANT If you are configuring a 2198-Hxxx-ERS2 (integrated) servo drive in a safety application, you must use a GuardLogix safety controller.

In this example, the typical dialog boxes for ControlLogix and GuardLogix 5380 controllers and CompactLogix 5380 controllers with embedded Ethernet are shown.

Follow these steps to configure your Logix 5000 controller.

1. Expand the Logix 5000 controller family and select your controller.
2. Type the file Name.
3. Click Next.

The New Project dialog box appears.



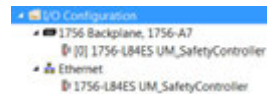
4. From the Revision pull-down menu, choose your software revision.
5. Click Finish.

The new controller appears in the Controller Organizer under the I/O Configuration folder.

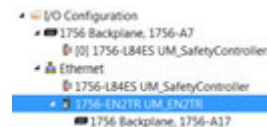
Controller Organizer with CompactLogix 5380 controller.



Controller Organizer with GuardLogix 5580 controller.



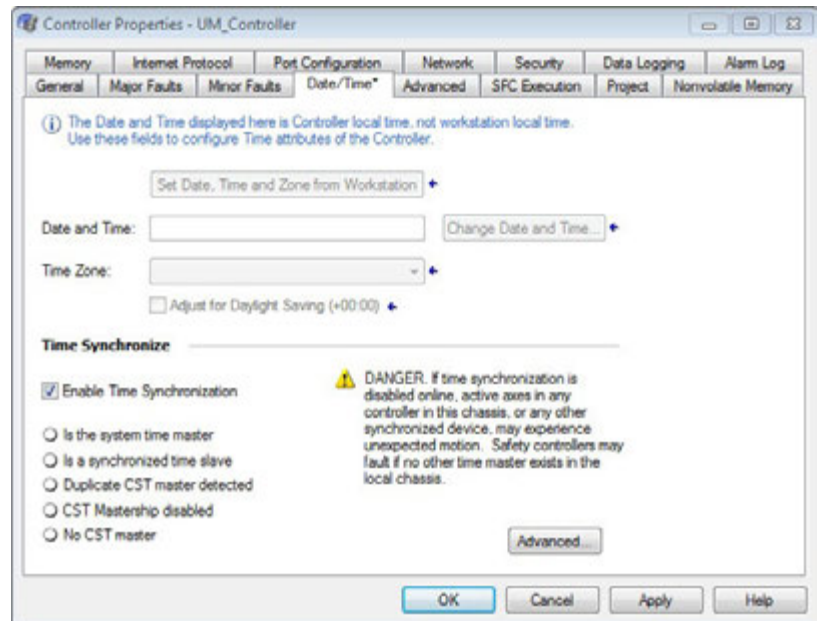
6. In this example, a GuardLogix 5580 controller with 1756-EN2T communication module is used.



7. From the Edit menu, choose Controller Properties.

The Controller Properties dialog box appears.

- Click the Date/Time tab.



- Check Enable Time Synchronization.

The motion modules set their clocks to the module you assign as the Grandmaster.

IMPORTANT Check Enable Time Synchronization for all controllers that participate in CIP Sync™. The overall CIP Sync network automatically promotes a Grandmaster clock, unless the priority is set in the Advanced tab.

- Click OK.

Configure the Kinetix 5500 Drive

IMPORTANT To configure 2198-Hxxx-ERS (hardwired safety) drives, you must be using the Logix Designer application, version 21.00 or later.
 To configure 2198-Hxxx-ERS2 (integrated safety) drives, you must be using the Logix Designer application, version 24.00 or later.

Use this table to determine where to begin your drive configuration.

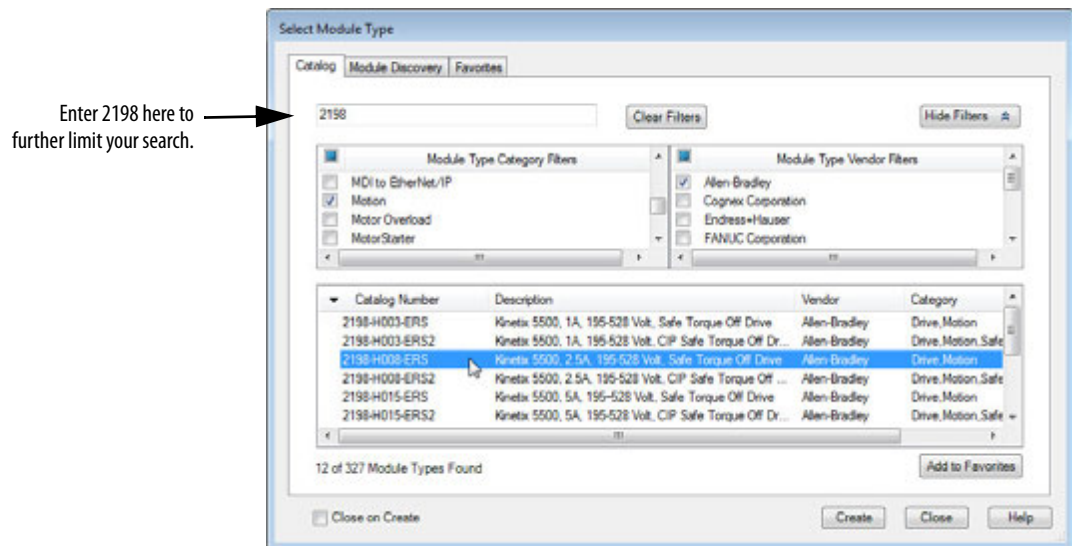
Drive Cat. No.	Start Here	Page
2198-Hxxx-ERS	Configure Drive with Hardwired Safety Connections	118
2198-Hxxx-ERS2	Configure Drive with Integrated Safety Connections	120

Configure Drive with Hardwired Safety Connections

Follow these steps to configure Kinetix 5500 drives with hardwired safety.

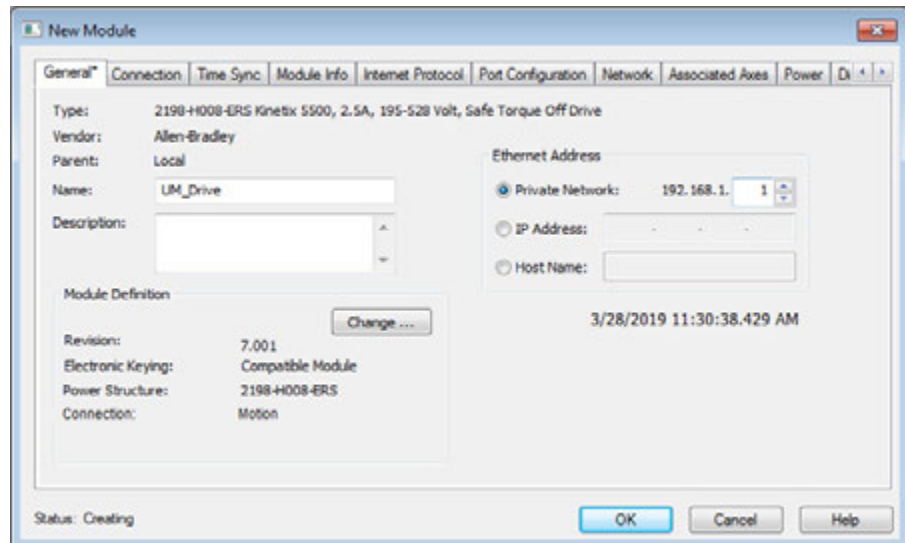
1. Below the controller you just created, right-click Ethernet and choose New Module.

The Select Module Type dialog box appears.



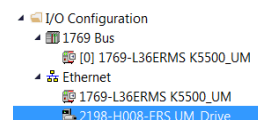
2. By using the filters, check Motion and Allen-Bradley, and select your 2198-Hxxx-ERS servo drive as appropriate for your actual hardware configuration.
3. Click Create.

The New Module dialog box appears.



4. Configure the new drive.
 - a. Type the drive Name.
 - b. Select an Ethernet Address option.
In this example, the Private Network address is selected.
 - c. Enter the address of your 2198-Hxxx-ERS drive.
In this example, the last octet of the address is 1.
 - d. Under Module Definition click Change.
Depending on the Module Definition revision selection, alternate product features can be selected.
5. Click OK to close the New Module dialog box.

Your 2198-Hxxx-ERS servo drive appears in the Controller Organizer under the Ethernet controller in the I/O Configuration folder.



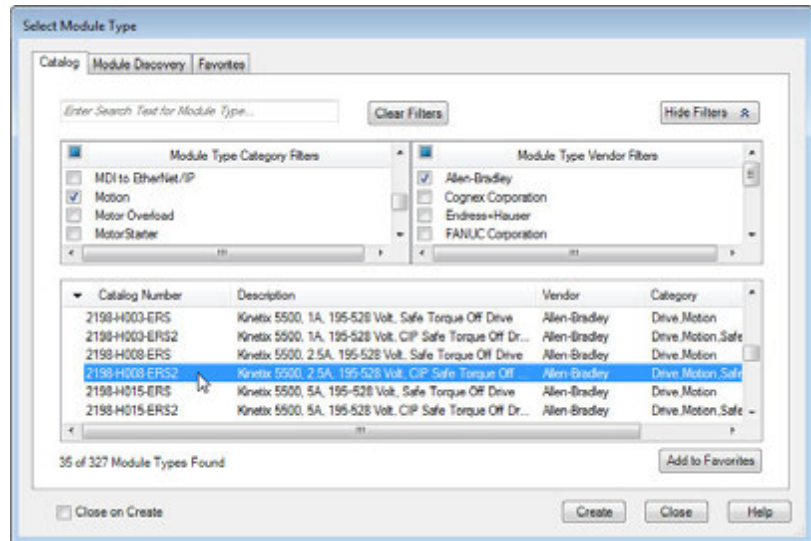
6. Click Close to close the Select Module Type dialog box.
7. Jump to [Continue Drive Configuration](#) on [page 124](#) to continue with your drive configuration.

Configure Drive with Integrated Safety Connections

Follow these steps to configure Kinetix 5500 drives with integrated safety.

1. Below the controller you just created, right-click Ethernet and choose New Module.

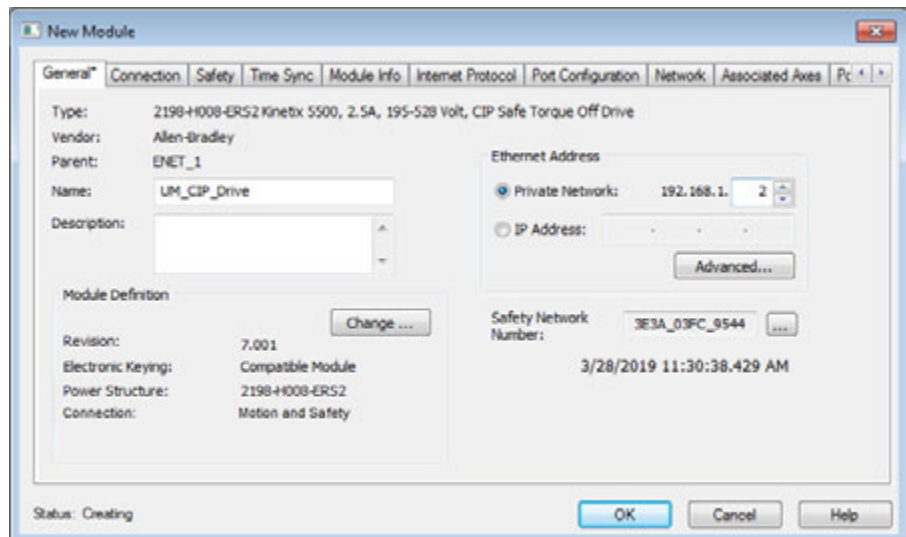
The Select Module Type dialog box appears.



2. By using the filters, check Motion and Allen-Bradley, and select your 2198-Hxxx-ERS2 servo drive as appropriate for your actual hardware configuration.

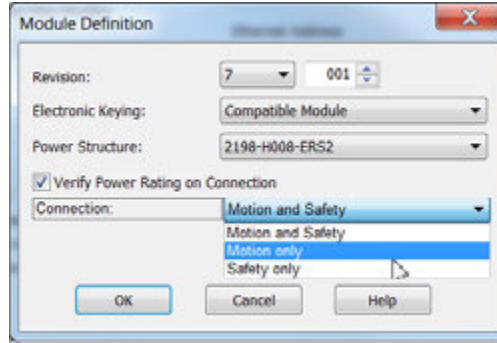
3. Click Create.

The New Module dialog box appears.



4. Configure the new drive.
 - a. Type the drive Name.
 - b. Select an Ethernet Address option.

- In this example, the Private Network address is selected.
- c. Enter the address of your 2198-Hxxx-ERS2 servo drive.
In this example, the last octet of the address is 2.
- d. Under Module Definition click Change.
The Module Definition dialog box appears.



- e. From the Connection pull-down menu, choose the Connection mode for your motion application.

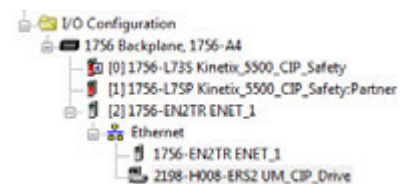
Connection Mode	Controller Needed	Description Drive Cat. No. 2198-Hxxx-ERS	Description Drive Cat. No. 2198-Hxxx-ERS2
Motion only	ControlLogix 5570 or 5580 GuardLogix 5570 or 5580 as well CompactLogix 5370 or 5380 or 5480 CompactGuardLogix 5370 or 5380	Only hardwired safe torque-off connections are possible.	Motion is managed by this controller. Safety is managed by another controller that has a Safety-only connection to the drive.
Motion and Safety	GuardLogix 5570 or 5580 CompactGuardLogix 5370 or 5380	N/A	Motion and Safety are managed by this controller.
Safety only	GuardLogix 5570 or 5580 or Compact GuardLogix 5370 or 5380	N/A	Safety is managed by this controller. Motion is managed by another controller that has a Motion-only connection to the drive.

TIP When 'Safety' appears in the Connection mode, integrated safety is implied.

The Safety Network Number (SNN) field populates automatically when the Connection mode includes an integrated Motion and Safety or Safety-only connection. For a detailed explanation of the safety network number, refer to the GuardLogix Controller Systems Safety Reference Manual, publication [1756-RM099](#).

5. Click OK to close the Module Definition dialog box.
6. Click OK to close the New Module dialog box.

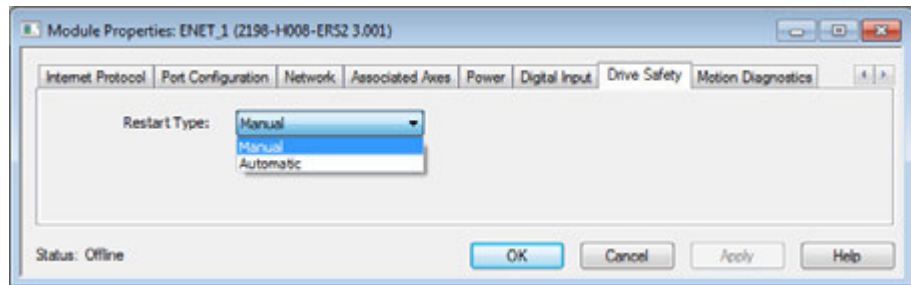
Your 2198-Hxxx-ERS2 servo drive appears in the Controller Organizer under the Ethernet controller in the I/O Configuration folder.



7. Right-click the drive you just created in the Controller Organizer and choose Properties.

The Module Properties dialog box appears.

8. Click the Drive Safety tab.

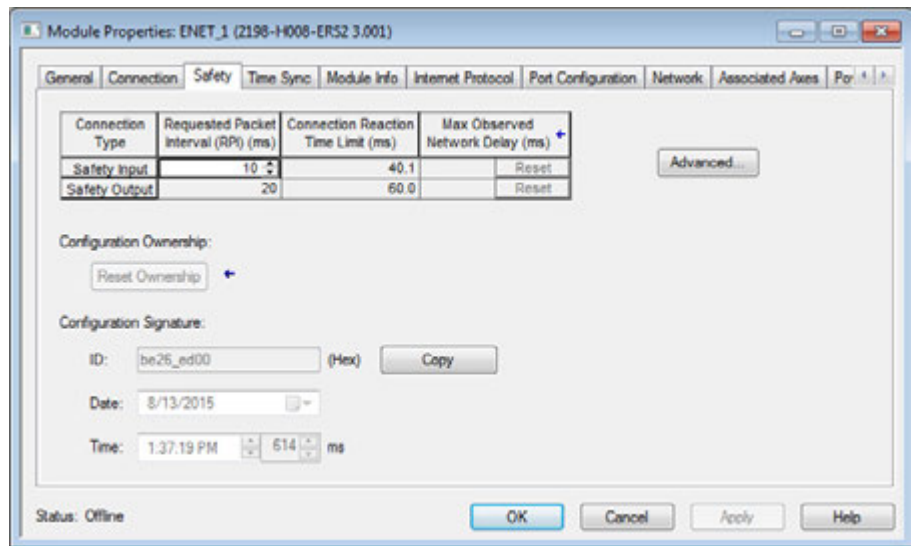


9. From the Restart Type pull-down menu, choose Manual or Automatic depending on your specific application.

- Manual restart indicates a transition from 0 to 1 on the SO.Reset tag is required to allow torque after the SO.SafeTorqueOff tag has transitioned from 0 to 1.
- Automatic restart indicates torque will be allowed only by transitioning the SO.SafeTorqueOff tag from 0 to 1. The SO.Reset tag is used only for resetting safety faults.

10. Click Apply.

11. Click the Safety tab.



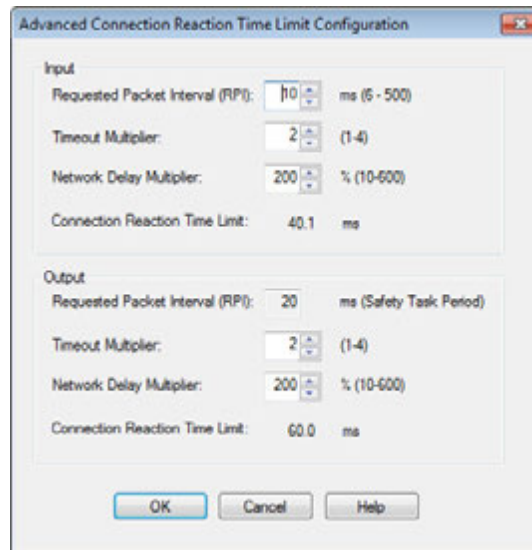
The connection between the owner and the 2198-Hxxx-ERS2 servo drive is based on the following:

- Servo drive catalog number must be 2198-Hxxx-ERS2 (integrated)
- Servo drive safety network number
- GuardLogix slot number
- GuardLogix safety network number
- Path from the GuardLogix controller to the 2198-Hxxx-ERS2 drive
- Configuration signature

If any differences are detected, the connection between the GuardLogix controller and the 2198-Hxxx-ERS2 drive is lost, and the yellow yield icon appears in the controller project tree after you download the program.

12. Click Advanced.

The Advanced Connection Reaction Time Limit Configuration dialog box appears.



Analyze each safety channel to determine the appropriate settings. The smallest Input RPI allowed is 6 ms. Selecting small RPI values consumes network bandwidth and can cause nuisance trips because other devices cannot get access to the network.

13. Click OK.

For more information about the Advanced Connection Reaction Time Limit Configuration, refer to the GuardLogix 5570 Controllers User Manual, publication [1756-UM022](#).

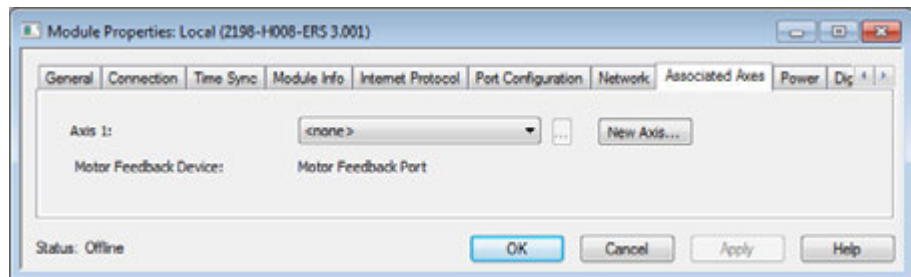
Continue Drive Configuration

After you've established your Kinetix 5500 drive in the Logix Designer application, the remaining configuration steps are the same regardless of the drive catalog number.

1. Right-click the 2198-Hxxx-ERSx servo drive you just created and choose Properties.

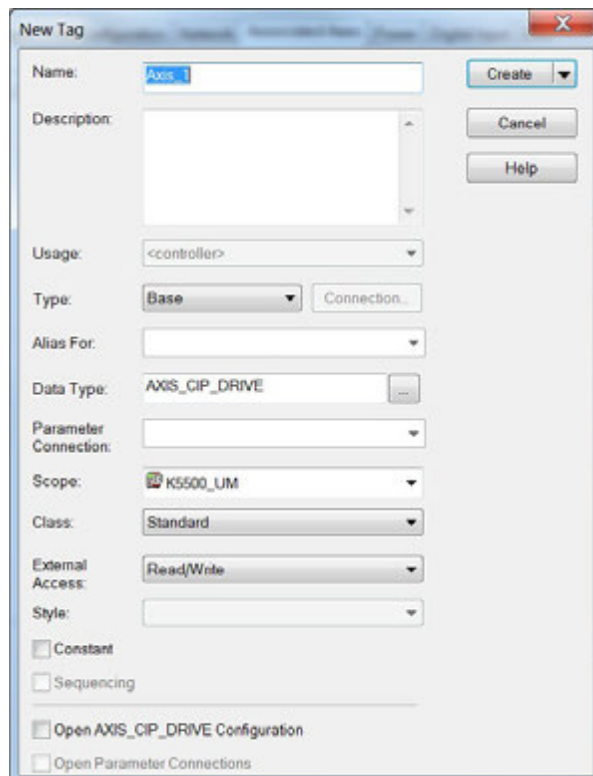
The Module Properties dialog box appears.

2. Click the Associated Axes tab.



3. Click New Axis.

The New Tag dialog box appears.

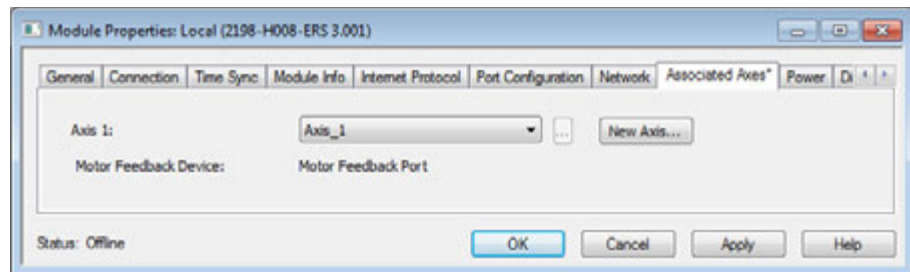
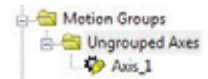


4. Type the axis Name.

AXIS_CIP_DRIVE is the default Data Type.

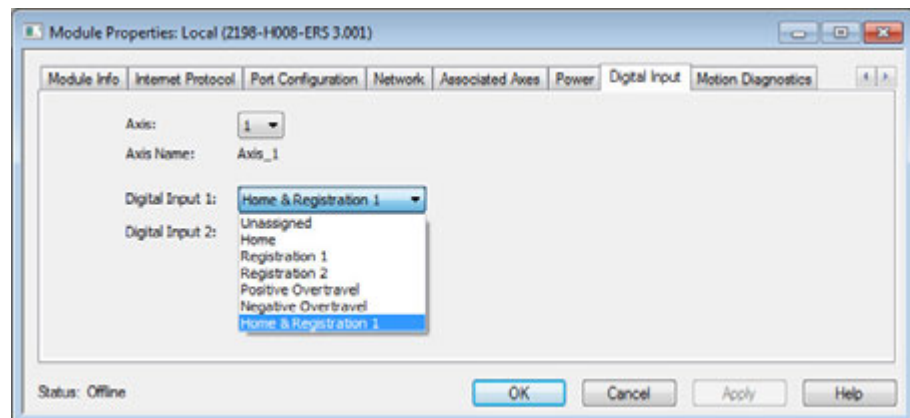
5. Click Create.

The axis (Axis_1 in this example) appears in the Controller Organizer under Motion Groups> Ungrouped Axes and is assigned as Axis 1.



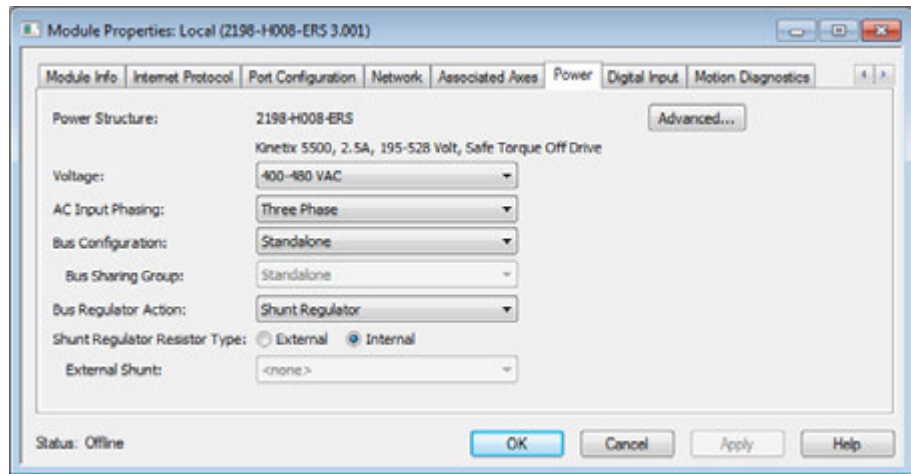
TIP You can configure an axis as Feedback Only. Refer to [Configure Feedback-only Axis Properties](#) on [page 129](#) for more information.

6. Click Apply.
7. Click the Digital Input tab.



8. From the Axis pull-down menu, choose an axis to configure.
9. From the Digital Input pull-down menus, choose a digital input assignment appropriate for your application. Refer to [page 65](#) and [page 67](#) for more information.
10. Click Apply.

11. Click the Power tab.



IMPORTANT Single-phase operation is possible only when Module Properties>Power tab>Bus Configuration is configured as Standalone.

IMPORTANT The Logix Designer application enforces shared-bus configuration rules for Kinetix 5500 drives, except for shared AC configurations.

12. From the pull-down menus, choose the power options appropriate for your actual hardware configuration.



ATTENTION: To avoid damage to equipment, make sure the AC input voltage configured in the Logix Designer application matches the actual hardware being configured.

Attribute	Menu	Description
Voltage	400-480 VAC	324...528 AC rms input voltage
	200-240 VAC	195...264 AC rms input voltage
AC Input Phasing	<ul style="list-style-type: none"> Three Phase Single Phase 	Input power phasing. Kinetix 5500 drives with single-phase operation is limited to 2198-H003-ERSx, 2198-H008-ERSx, and 2198-H015-ERSx.
Bus Configuration ⁽¹⁾ ⁽²⁾	Standalone	Applies to single-axis drives and drives with Shared AC input configurations.
	Shared AC/DC	Applies to converter drives with Shared AC/DC and Shared AC/DC Hybrid input configurations.
	Shared DC	Applies to inverter drives with Shared DC input (common-bus) configurations.
Bus Sharing Group ⁽³⁾ ⁽²⁾	Standalone	Applies to standalone bus configurations.
	<ul style="list-style-type: none"> Group1 Group2 Group3... 	Applies to any bus-sharing configuration ⁽⁴⁾ .
Shunt Regulator Action	Disabled	Disables the internal shunt resistor and external shunt option.
	Shunt Regulator	Enables the internal and external shunt options.
Shunt Regulator Resistor Type	Internal	Enables the internal shunt (external shunt option is disabled).
	External	Enables the external shunt (internal shunt option is disabled).
External Shunt ⁽⁵⁾	<ul style="list-style-type: none"> None 2097-R6 2097-R7 	Selects external shunt option. Only the shunt model intended for the drive model is shown.

(1) Refer to [Chapter 3](#) for more information on single-axis and multi-axis configurations.

(2) Bus Configuration selection is not applicable to all EtherNet/IP drives.

(3) For more information on bus-sharing groups, refer to [Understand Bus-sharing Group Configuration](#) on [page 144](#).

(4) All drives physically connected to the same shared-bus connection system must be part of the same Bus Sharing Group in the Logix Designer application.

(5) Refer to the Kinetix Servo Drives Specifications Technical Data, publication [KNX-TD003](#), for more information on the Bulletin 2097 external shunt resistors.

13. Click OK.

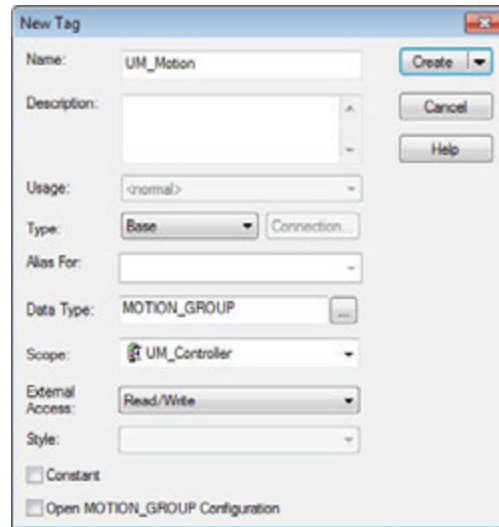
14. Repeat [step 1](#) through [step 13](#) for each 2198-Hxxx-ERSx servo drive.

Configure the Motion Group

Follow these steps to configure the motion group.

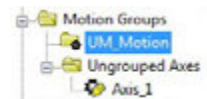
1. In the Controller Organizer, right-click Motion Groups and choose New Motion Group.

The New Tag dialog box appears.



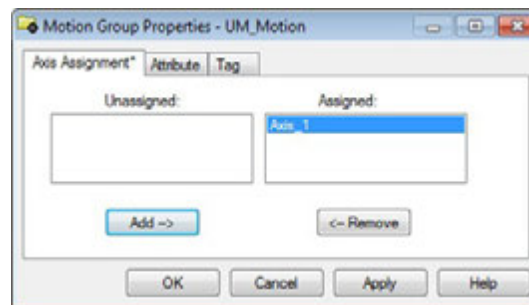
2. Type the new motion group Name.
3. Click Create.

Your new motion group appears in the Controller Organizer under the Motion Groups folder.



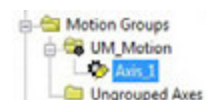
4. Right-click the new motion group and choose Properties.

The Motion Group Properties dialog box appears.



5. Click the Axis Assignment tab and move your axes (created earlier) from Unassigned to Assigned.
6. Click the Attribute tab and edit the default values as appropriate for your application.
7. Click OK.

Your axis moves to the new motion group.

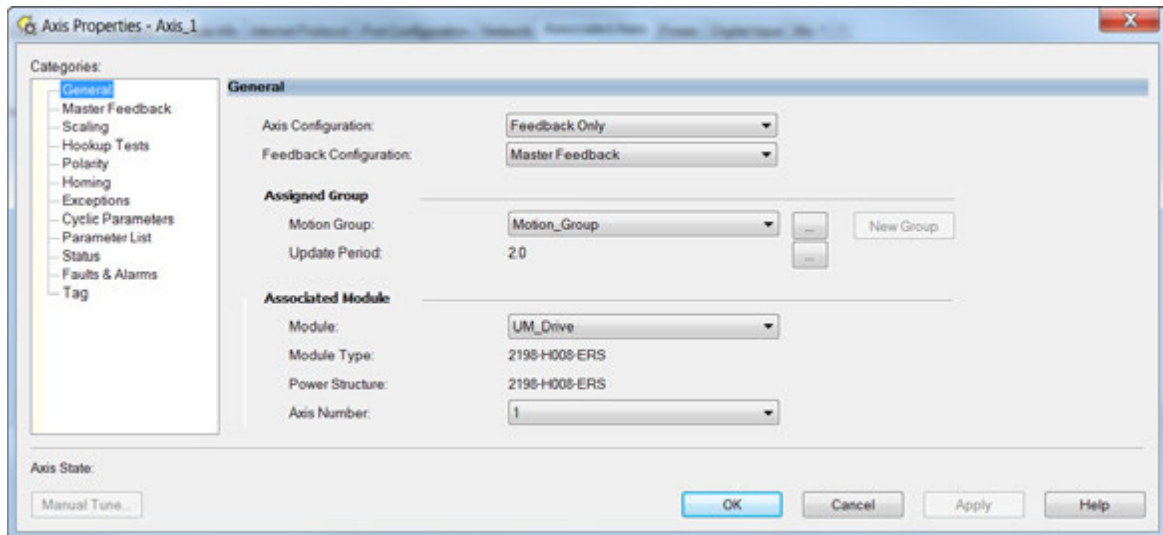


Configure Feedback-only Axis Properties

Follow these steps to configure feedback-only axis properties.

1. In the Controller Organizer, right-click an axis and choose Properties.
2. Select the General category.

The General dialog box appears.

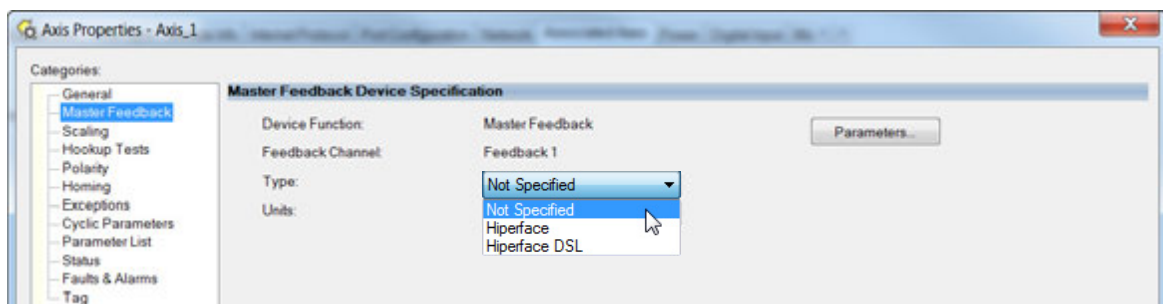


3. From the Axis Configuration pull-down menu, choose Feedback Only.
4. From the Feedback Configuration pull-down menu, choose Master Feedback.
5. From the Module pull-down menu, choose the drive to associate with your Feedback Only axis.

The Module Type and Power Structure fields populate with the chosen drive catalog number.

6. Click Apply.
7. Select the Master Feedback Category.

The Master Feedback Device Specification appears.



8. From the Type pull-down menu, choose a feedback device type.
9. Review other categories in the Controller Organizer and make changes as needed for your application.
10. Click OK.

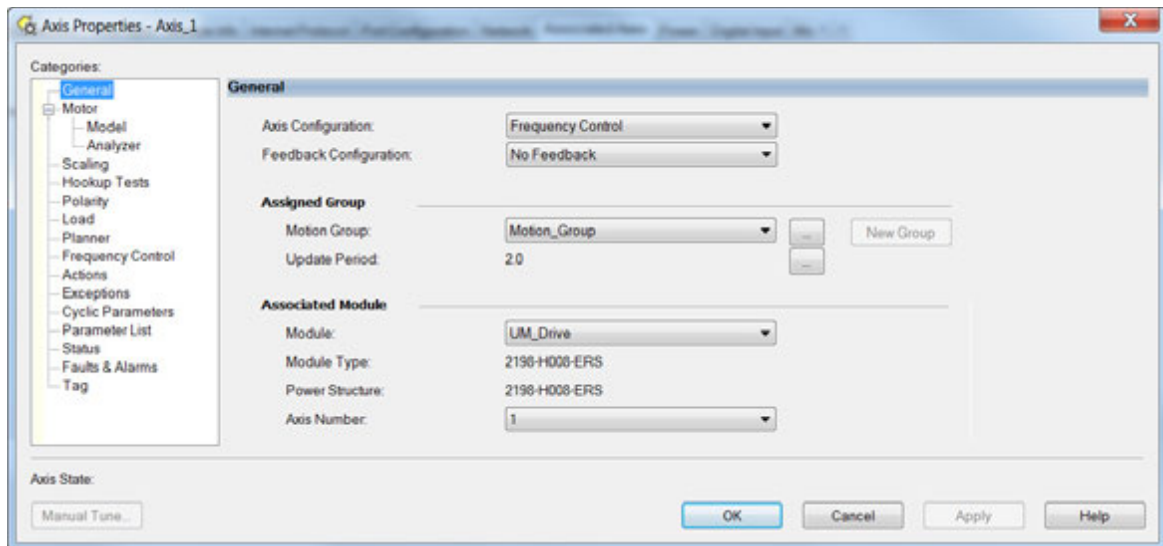
Configure Induction-motor Frequency-control Axis Properties

Follow these steps to configure induction-motor axis properties for various frequency control methods.

General and Motor Categories

1. In the Controller Organizer, right-click an axis and choose Properties.
2. Select the General category.

The General dialog box appears.

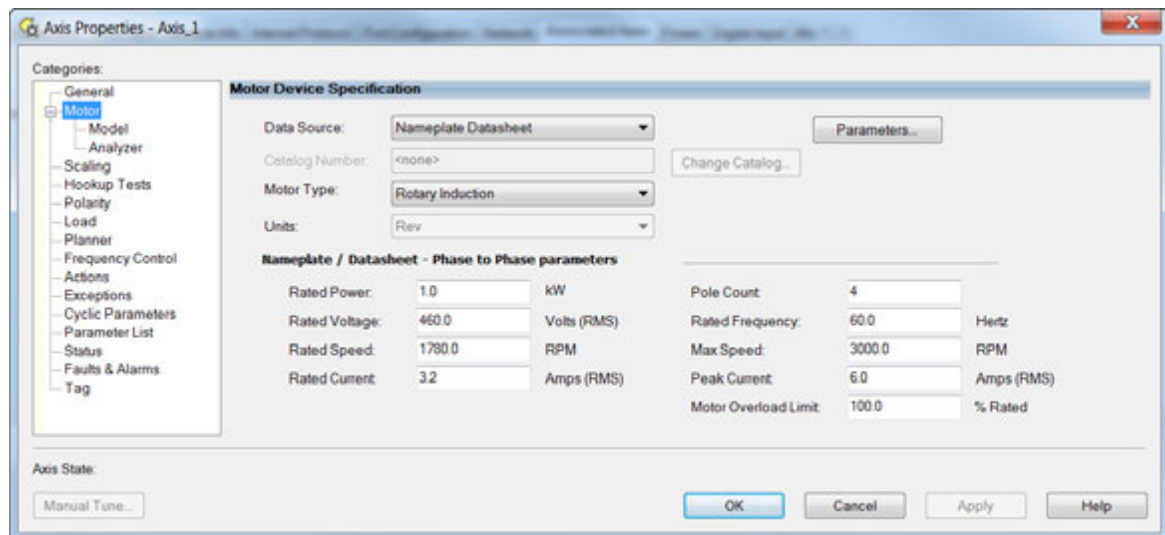


3. From the Axis Configuration pull-down menu, choose Frequency Control.
4. From the Feedback Configuration pull-down menu, choose No Feedback.
5. From the Module pull-down menu, choose the drive to associate with your Frequency Control (induction motor) axis.

The Module Type and Power Structure fields populate with the chosen drive catalog number.

6. Click Apply.

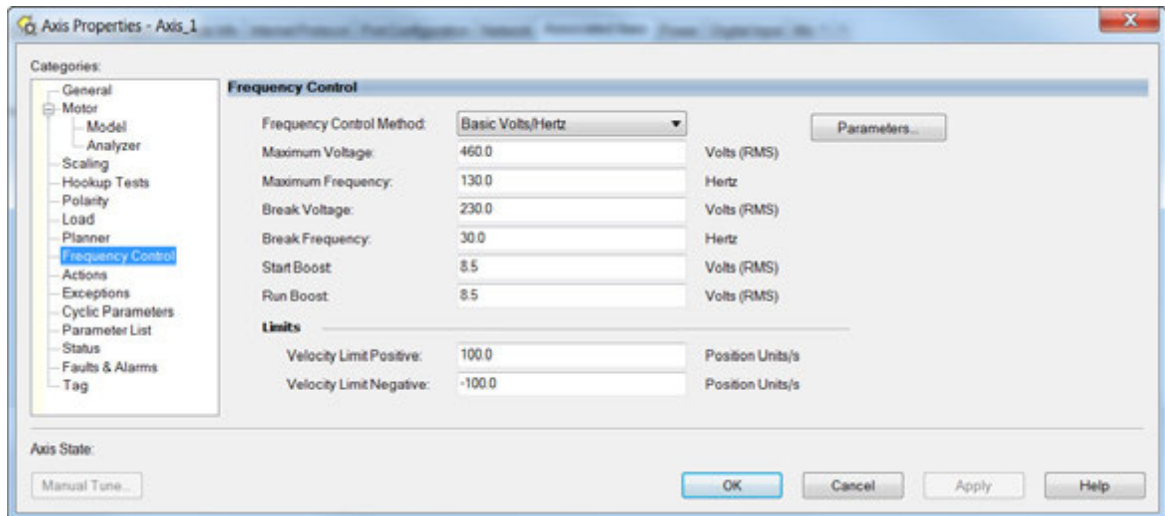
7. Select the Motor category.



8. From the Data Source pull-down menu, choose Nameplate Datasheet.
This is the default setting.
9. From the Motor Type pull-down menu, choose Rotary Induction.
10. From the motor nameplate or datasheet, enter the phase-to-phase values for your motor.
See [Motor Category](#) on [page 242](#) for a motor performance datasheet example.
11. Click Apply.

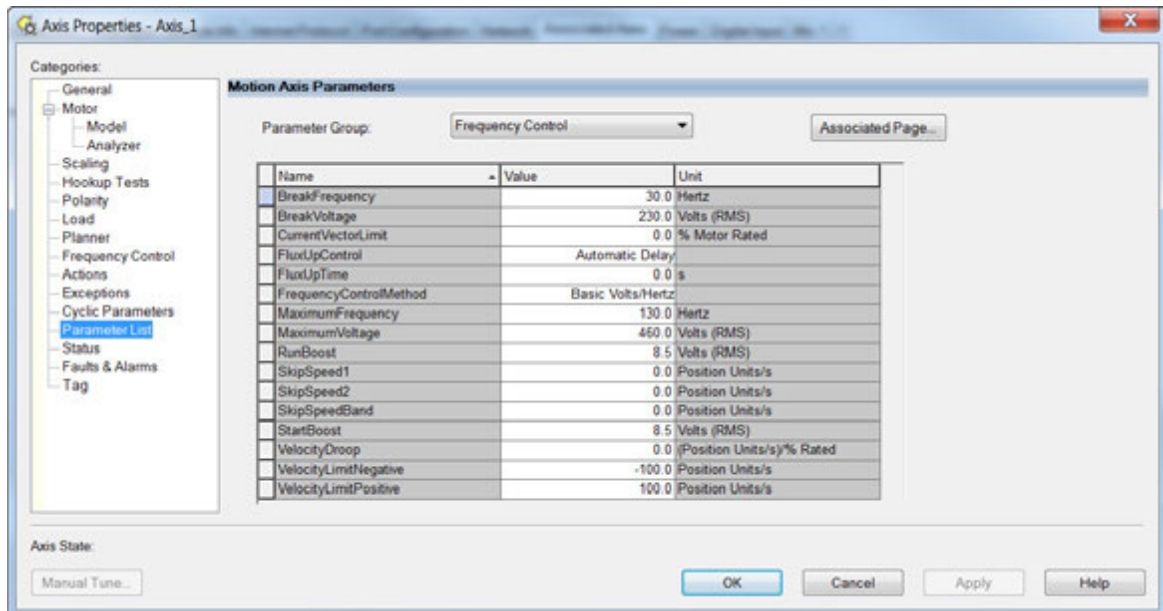
Basic Volts/Hertz Method

1. Configure the General tab and Motor tab as shown in [General and Motor Categories](#) on [page 130](#).
2. Select the Frequency Control category.
3. From the Frequency Control Method pull-down menu, select Basic Volts/Hertz.



4. Enter the Basic Volts/Hertz attribute values appropriate for your application.
Default values are shown.
5. Click Apply.
6. Select the Parameter List category.

The Motion Axis Parameters dialog box appears.



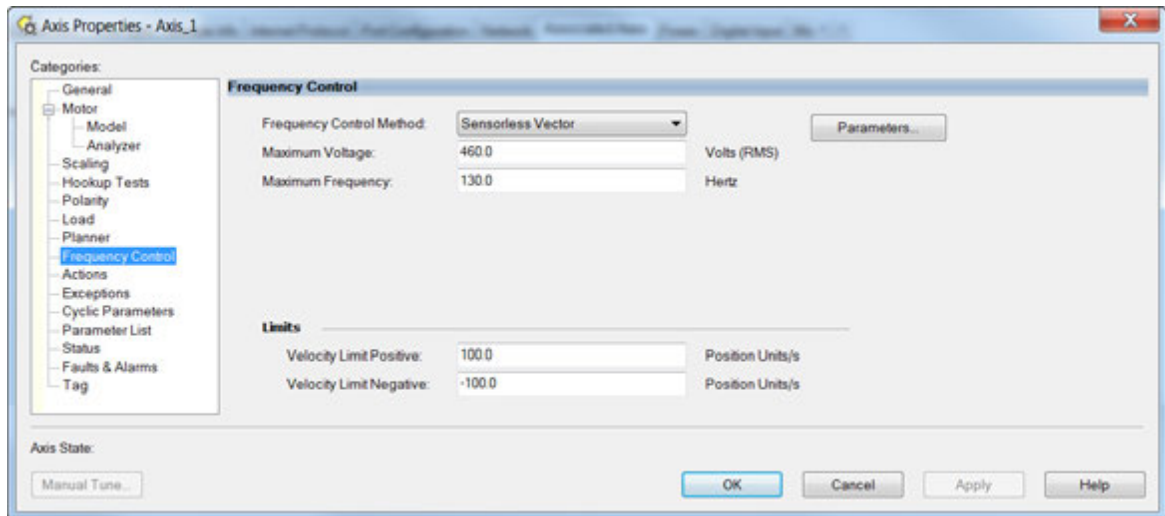
7. From the Parameter Group pull-down menu, choose Frequency Control.
8. Set the FluxUp, SkipSpeed, VelocityDroop, and CurrentVectorLimit attributes appropriate for your application.

See the corresponding section in Appendix D, beginning on [page 227](#), for information and configuration examples regarding all of these topics.

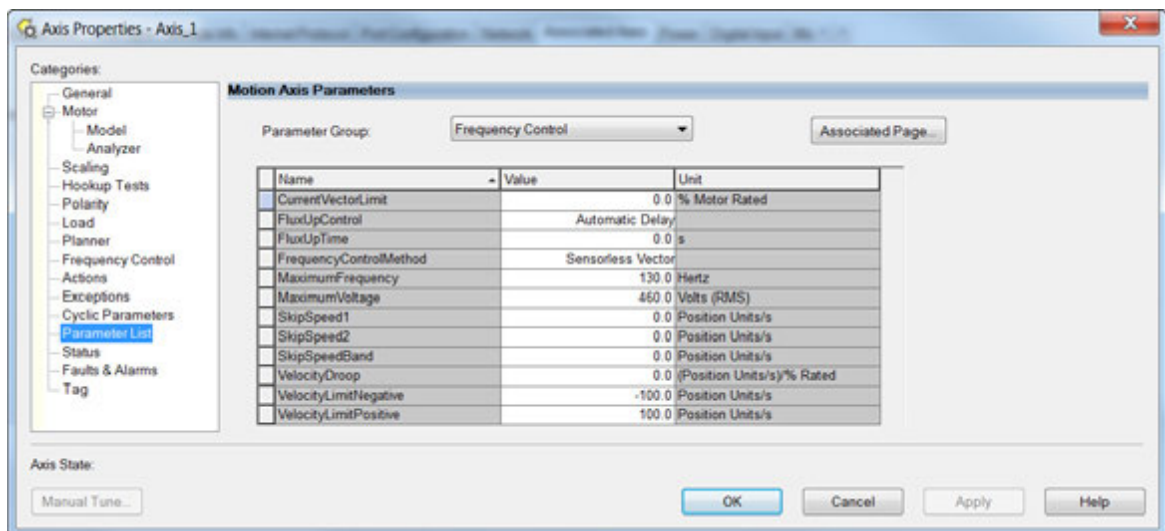
9. Click OK.

Sensorless Vector Method

1. Configure the General tab and Motor tab as shown in [General and Motor Categories](#) on [page 130](#).
2. Select the Frequency Control category.
3. From the Frequency Control Method pull-down menu, select Sensorless Vector.



4. Enter the Basic Volts/Hertz attribute values appropriate for your application.
Default values are shown.
5. Click Apply.
6. Select the Parameter List category.
7. The Motion Axis Parameters dialog box appears.



8. From the Parameter Group pull-down menu, choose Frequency Control.

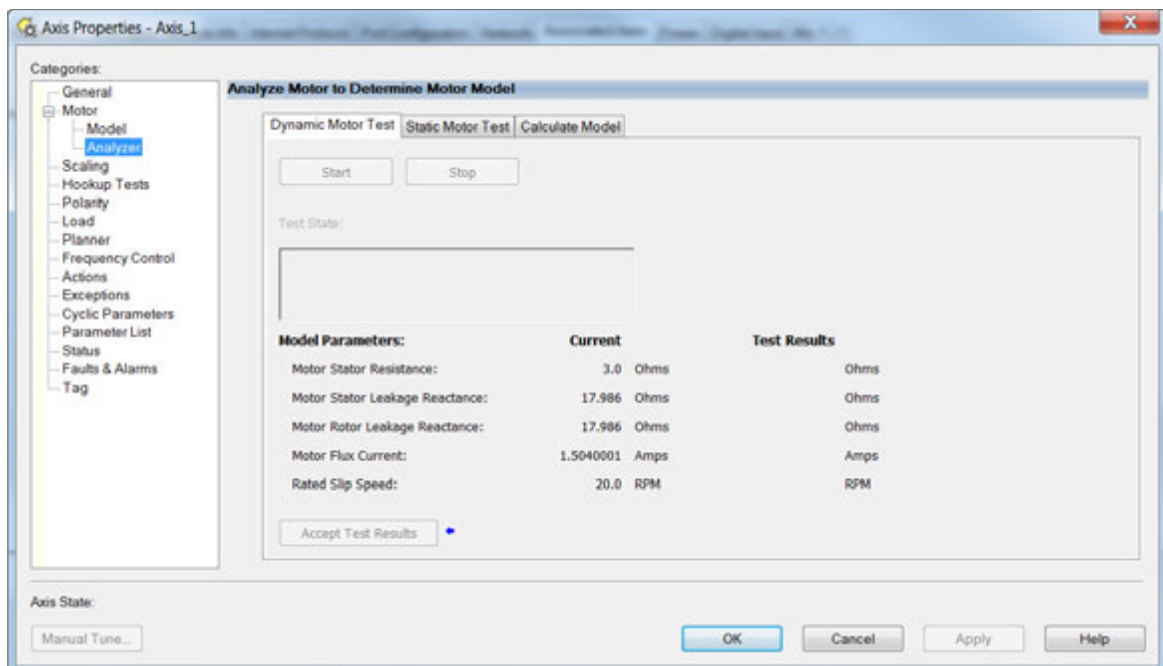
9. Set the FluxUp, SkipSpeed, VelocityDroop, MaximumFrequency, MaximumVoltage, and CurrentVectorLimit attributes appropriate for your application.

See the corresponding section in Appendix D, beginning on [page 227](#), for information and configuration examples regarding all of these topics.

10. Click Apply.
11. Select the Motor>Model category.

Motor model attributes are automatically estimated from the Nameplate/Datasheet parameters. For improved performance, motor tests can be run.

12. Select the Motor>Analyzer category.
13. The Analyze Motor to Determine Motor Model dialog box opens.



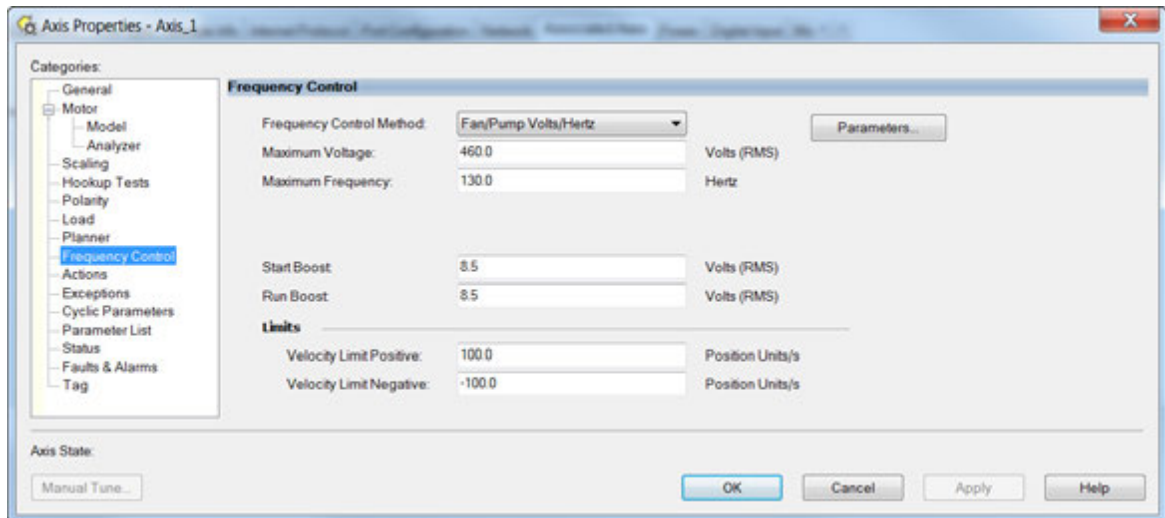
14. Click one of the motor test tabs.

In this example, Calculate Model is chosen. See [Motor Tests and Autotune Procedure](#) on [page 244](#) for information about each of the tests.

15. Click Start.
16. Click Accept Test Results.
17. Click OK.

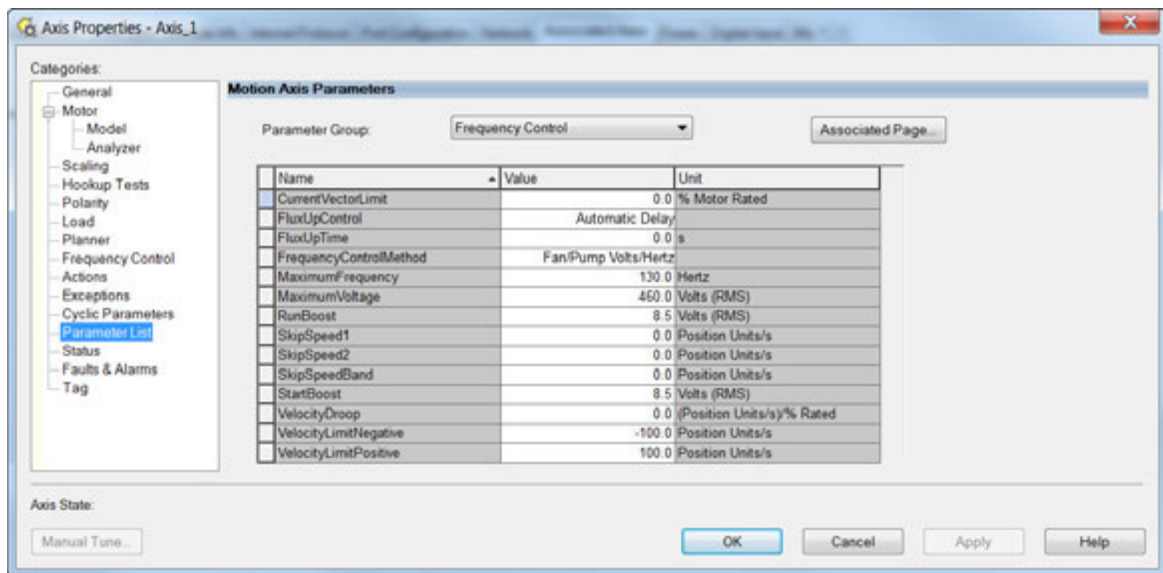
Fan/Pump Volts/Hertz Method

1. Configure the General tab and Motor tab as shown in [General and Motor Categories](#) on [page 130](#).
2. Select the Frequency Control category.
3. From the Frequency Control Method pull-down menu, select Fan/Pump Volts/Hertz.



4. Enter the Basic Volts/Hertz attribute values appropriate for your application.
Default values are shown.
5. Click Apply.
6. Select the Parameter List category.

The Motion Axis Parameters dialog box appears.



7. From the Parameter Group pull-down menu, choose Frequency Control.
8. Set the FluxUp, SkipSpeed, VelocityDroop, RunBoost, MaximumFrequency, MaximumVoltage and CurrentVectorLimit attributes appropriate for your application.

See the corresponding section in Appendix D, beginning on [page 227](#), for information and configuration examples regarding all of these topics.

9. Click OK.

Configure SPM Motor Closed-loop Control Axis Properties

Kinetix 5500 drives accept Hiperface and Hiperface DSL feedback from surface permanent magnet (SPM) motors when the appropriate feedback connector kit is used. [Table 55](#) lists the compatible Allen-Bradley motors and actuators.

Table 55 - Motor Feedback Compatibility

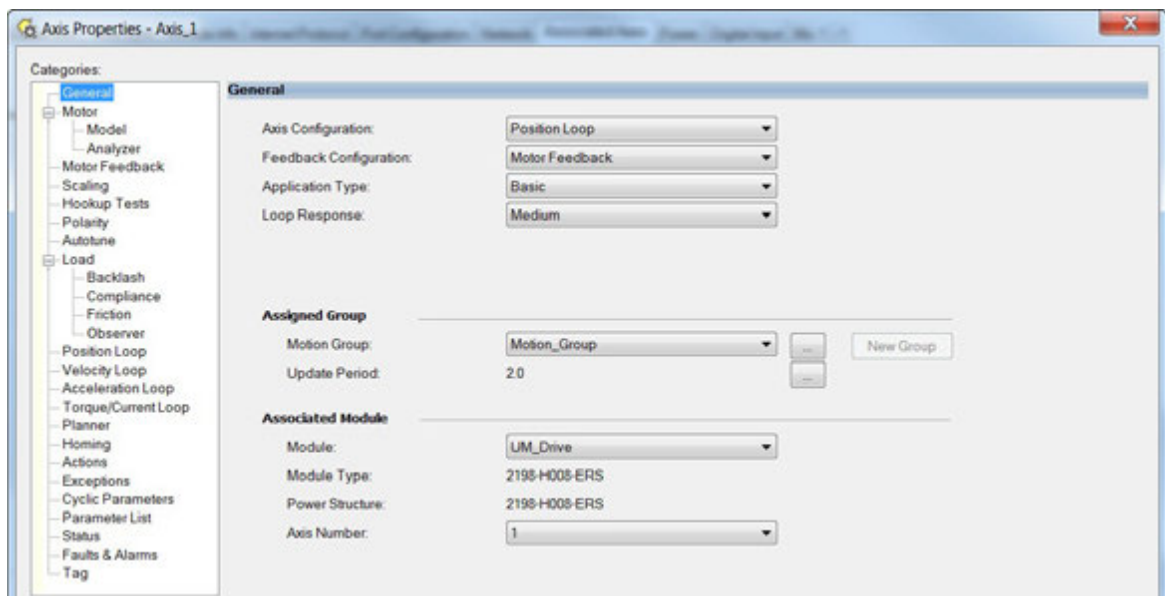
Feedback Type		Description	Feedback Connector
Hiperface	High-resolution single-turn and multi-turn, absolute	Applies to Allen-Bradley Kinetix MPL, MPM, MPF, MPS (-M/S or -V/E) rotary motors and Kinetix MPAS (ballscrew), MPAI linear actuators, and LDAT-Series (-xDx) linear thrusters, wired to the 2198-H2DCK converter kit.	2-pin motor feedback (MF)
Hiperface DSL		Applies to Allen-Bradley Kinetix VPL, VPF, VPH, and VPS rotary motors wired to the 2198-KITCON-DSL connector kit.	

IMPORTANT Unprogrammed Smart feedback devices (Hiperface Sin/Cos and Hiperface DSL) are not supported. Unprogrammed as load or feedback-only feedback types are supported. Contact your local distributor or Rockwell Automation sales representative for support options.

Follow these steps to configure surface permanent-magnet (SPM) motor closed-loop axis properties.

1. In the Controller Organizer, right-click an axis and choose Properties.
2. Select the General category.

The General and Associated Module dialog box appears.



3. From the General pull-down menus, change configuration settings as needed for your application.

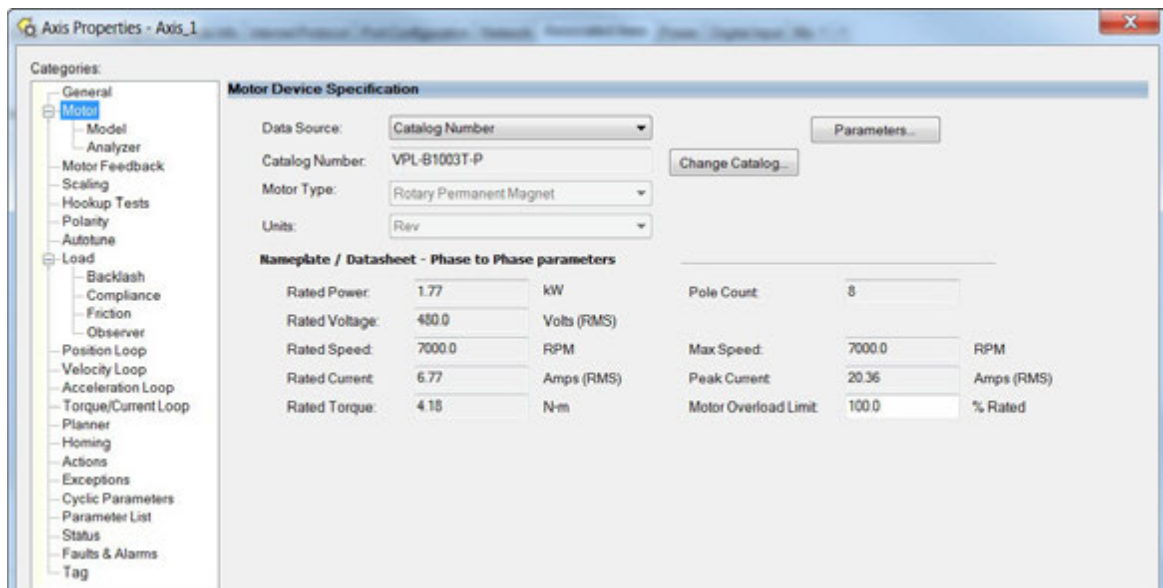
IMPORTANT Frequency Control is not supported for permanent magnet motors.

- From the Associated Module>Module pull-down menu, choose your Kinetix 5500 drive.

The drive catalog number populates the Module Type and Power Structure fields.

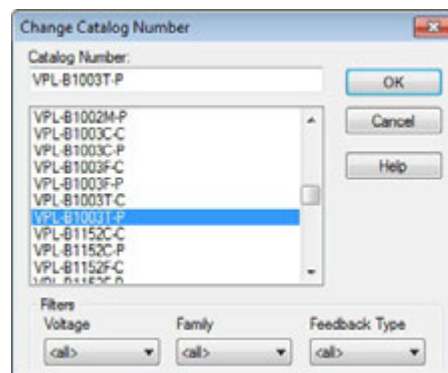
- Click Apply.
- Select the Motor category.

The Motor Device Specification dialog box appears.



- From the Data Source pull-down menu, choose Catalog Number.
- Click Change Catalog.

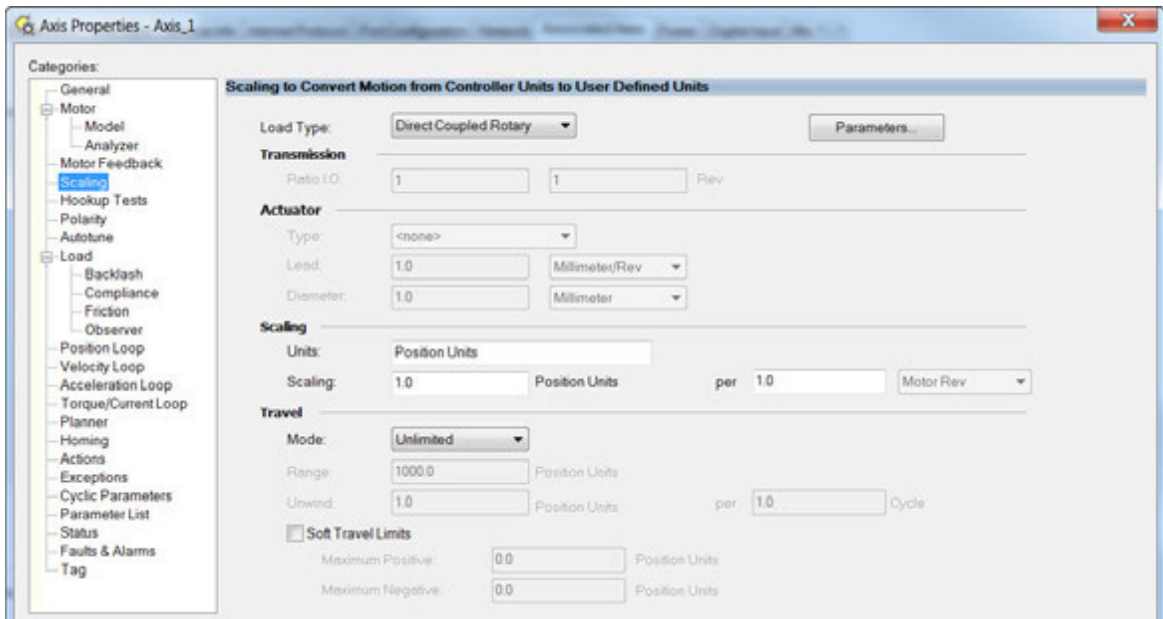
The Change Catalog Number dialog box appears.



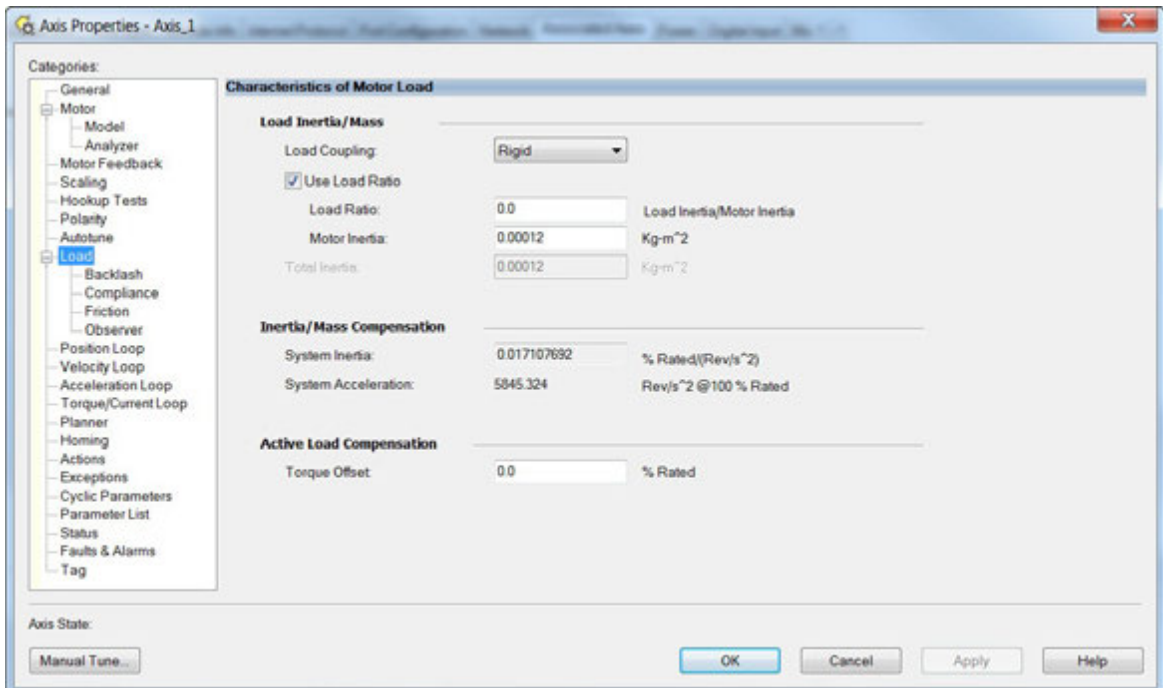
- Select the motor catalog number appropriate for your application.
To verify the motor catalog number, refer to the motor name plate.
- Click OK to close the Change Catalog Number dialog box.
- Click Apply.

Motor data specific to your motor appears in the Nameplate / Datasheet - Phase to Phase parameters field.

12. Select the Scaling category and edit the default values as appropriate for your application.

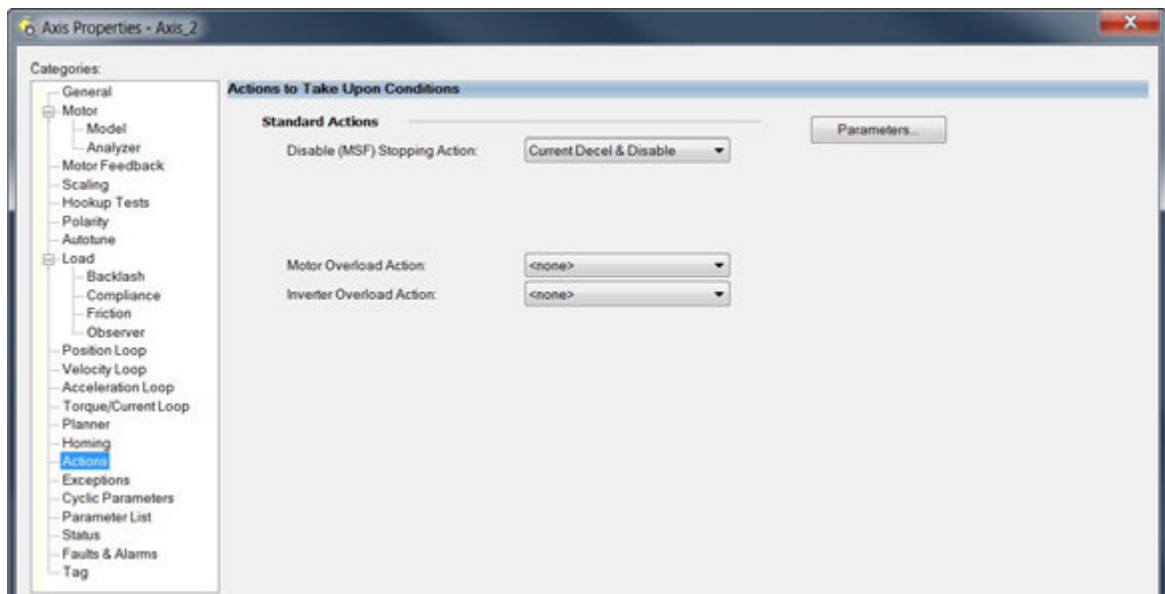


13. Click Apply, if you make changes.
14. Select the Load category and edit the default values as appropriate for your application.



15. Click Apply, if you make changes.
16. Select the Actions category.

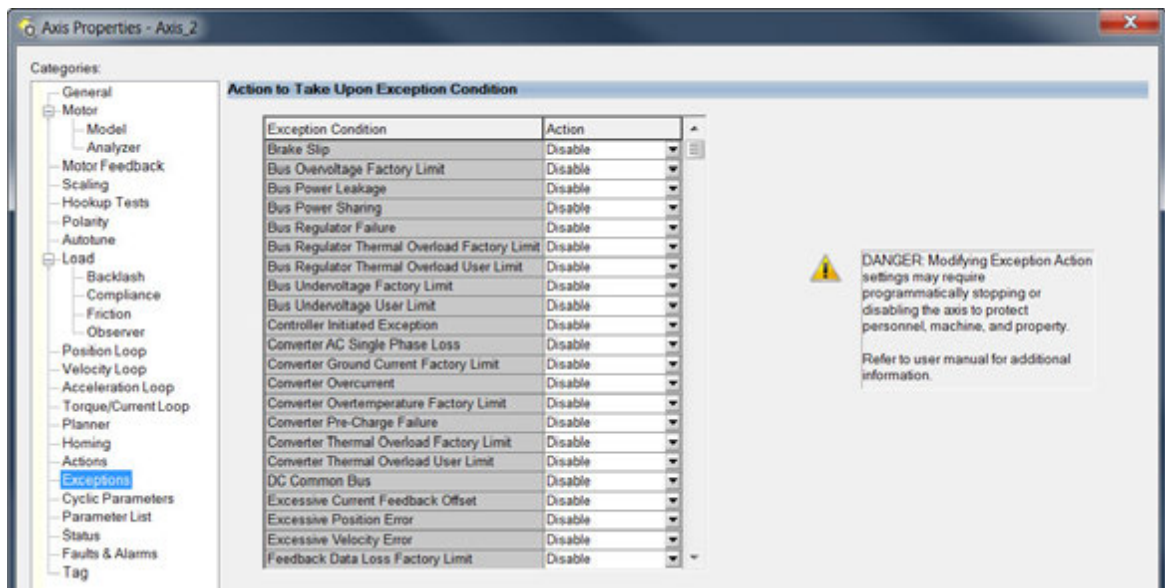
The Actions to Take Upon Conditions dialog box appears.



From this dialog box you can program actions for the drive module to take. Refer to [Logix 5000 Controller and Drive Behavior](#) on [page 161](#) for more information.

17. Select the Exceptions category.

The Action to Take Upon Exception Condition dialog box appears.

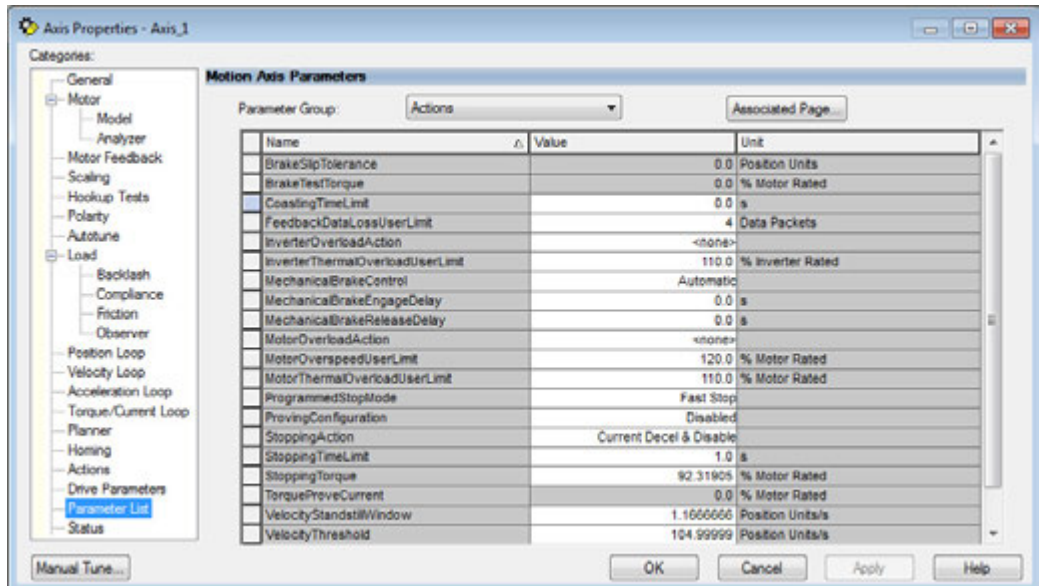


From this dialog box you can change the action for exceptions (faults). Refer to [Logix 5000 Controller and Drive Behavior](#) on [page 161](#) for more information.

TIP In the Logix Designer application, version 32.00 and later, Disable replaced StopDrive as the default Action.

18. Select the Parameter List category.

The Motion Axis Parameters dialog box appears.



From this dialog box you can set brake engage and release delay times for servo motors. For recommended motor brake delay times, refer to the Kinetix Rotary Motion Specifications Technical Data, publication [KNX-TD001](#).

19. Click OK.

20. Repeat [step 1](#) through [step 19](#) for each servo motor axis.

Download the Program

After completing the Logix Designer application and saving the file you must download your program to the Logix 5000 processor.

Apply Power to the Kinetix 5500 Drive

This procedure assumes that you have wired and configured your Kinetix 5500 system and your Logix 5000 controller.



SHOCK HAZARD: To avoid hazard of electrical shock, perform all mounting and wiring of the Bulletin 2198 servo drives prior to applying power. Once power is applied, connector terminals can have voltage present even when not in use.

Follow these steps to apply power to the Kinetix 5500 system.

1. Disconnect the load to the motor.



ATTENTION: To avoid personal injury or damage to equipment, disconnect the load to the motor. Make sure each motor is free of all linkages when initially applying power to the system.

2. Apply 24V DC control power.

The LCD display begins the startup sequence. Refer to [Startup Sequence](#) on [page 112](#). If the startup sequence does not begin, check the 24V control power connections.

3. When the startup sequence completes, verify that the two status indicators are steady green and the axis state is PRECHARGE.

If the axis state does not reach PRECHARGE and the two status indicators are not solid green, refer to [Kinetix 5500 Drive Status Indicators](#) on [page 158](#).

IMPORTANT Apply control power before applying three-phase AC power. This makes sure the shunt is enabled, which can prevent nuisance faults or Bus Overvoltage faults.

4. Apply mains input power and monitor the DC BUS voltage on the LCD display.

If the DC BUS does not reach the expected voltage level, check the three-phase input power connections. Also, it can take as many as 1.8 seconds after input power is applied before the drive can accept motion commands.

5. Verify that the axis state changes to STOPPED.

If the axis state does not change to STOPPED, refer to [Fault Code Overview](#) on [page 156](#).

Applying Power after Changing Input Voltage Range

This step applies to any drive or multi-axis drive configuration.



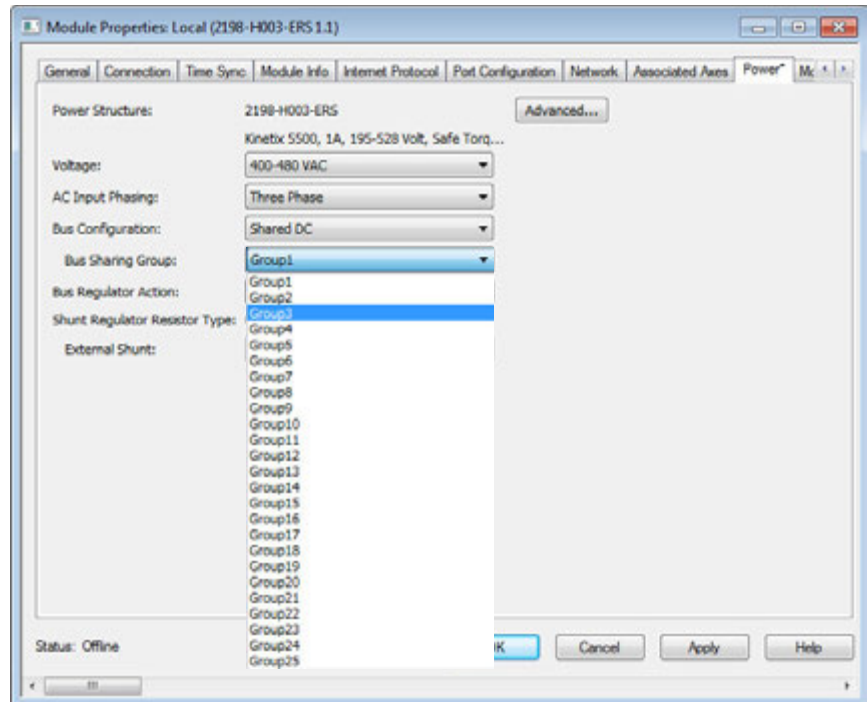
ATTENTION: To avoid damage to equipment when the configured input voltage range of the drive or drives changes from 230V AC to 460V AC or from 460V AC to 230V AC, the bus voltage needs to bleed down below 50V DC before the new configured input voltage is applied.

Understand Bus-sharing Group Configuration

When configuring Module Properties>Power tab for each Kinetix 5500 servo drive, you can breakout drives from one or more servo systems into multiple bus-sharing (power) groups.

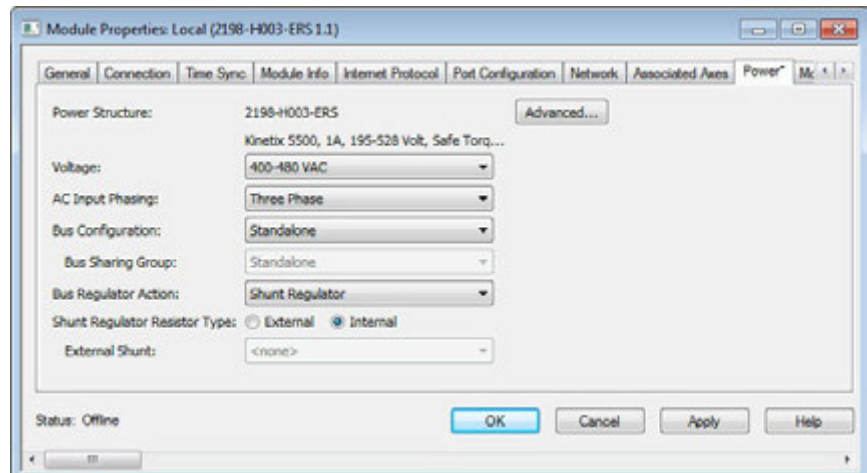
A drive that faults in Group 1 does not affect the operation of Group 2, even though all of the drives in Groups 1 and 2 are in the same Motion group in the Logix Designer application.

Figure 63 - 25 Bus-sharing Groups Are Possible



IMPORTANT Bus-sharing groups do not apply to drives with a Bus Configuration of Standalone. When Standalone is configured as the Bus Configuration, Standalone (dimmed) is also configured as the Bus Sharing Group.

Figure 64 - Standalone Bus Configuration

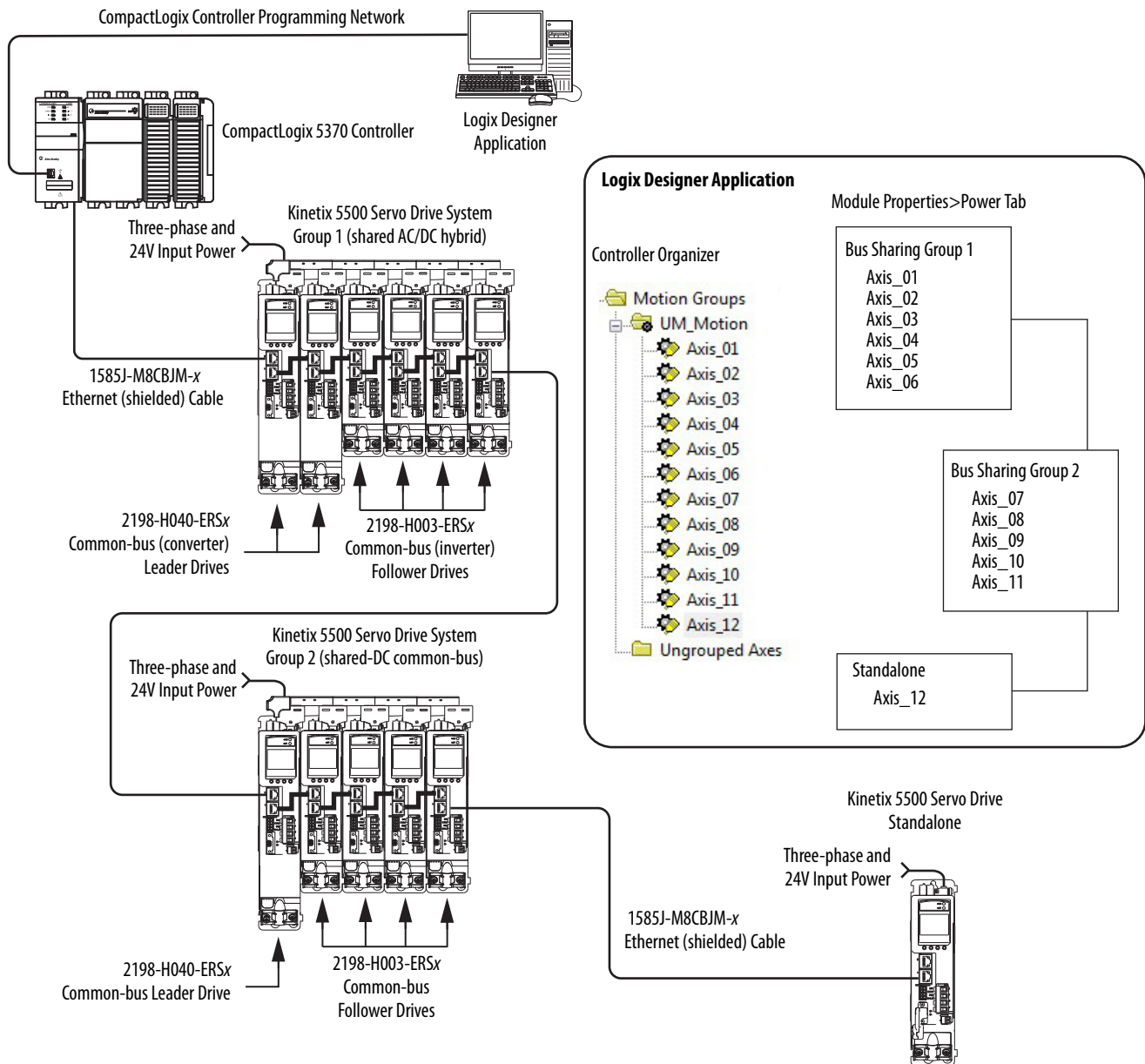


Bus-sharing Group Example

In this example, twelve axes are needed to support the motion application. All twelve axes are configured in the same Motion group in the Logix Designer application.

However, the twelve axes of motion are also configured as two bus-sharing groups and one standalone drive in Module Properties>Power tab. By creating two bus-sharing groups, a converter drive that faults in Group 1 only disables Group 1 drives, and has no effect on the drive operation of Group 2 or the Standalone drive.

Figure 65 - Bus-sharing Group Example



Configure Bus-sharing Groups

Group 1 is a shared AC/DC hybrid configuration. The Bus Configuration for the first two converter drives is Shared AC/DC. The Bus Configuration for the inverter drives is Shared DC.



ATTENTION: To avoid damage to equipment, all modules physically connected to the same shared-bus connection system must be part of the same Bus Sharing Group in the Logix Designer application.

Figure 66 - Group 1 Converter Drives Configuration

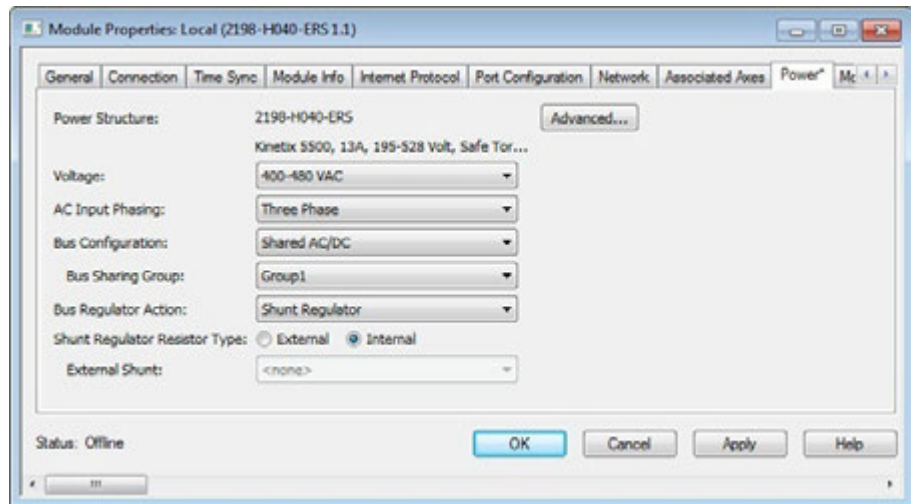
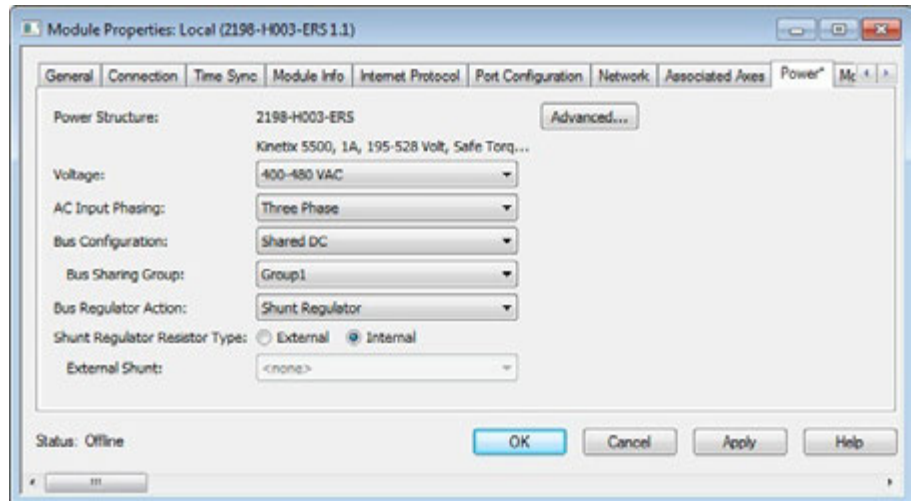


Figure 67 - Group 1 Inverter Drives Configuration



Group 2 is a shared DC (common-bus) configuration. The Bus Configuration for the leader drive is Shared AC/DC. The Bus Configuration for the follower drives is Shared DC.

Figure 68 - Group 2 Leader Drive Configuration

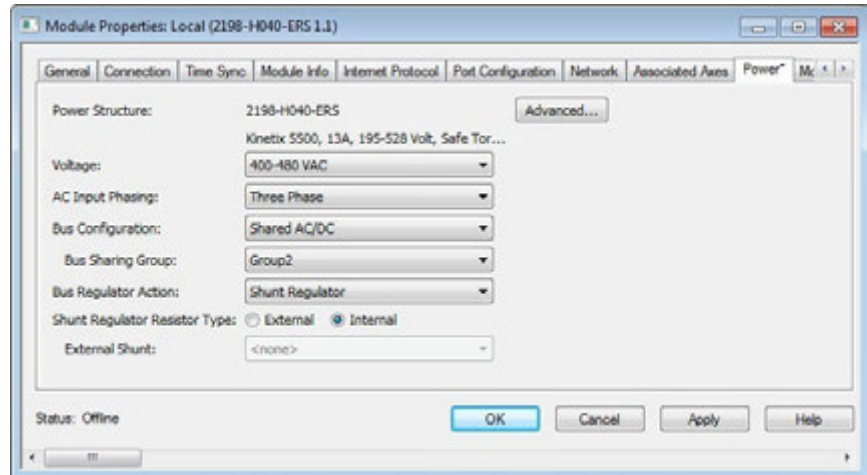


Figure 69 - Group 2 Follower Drives Configuration

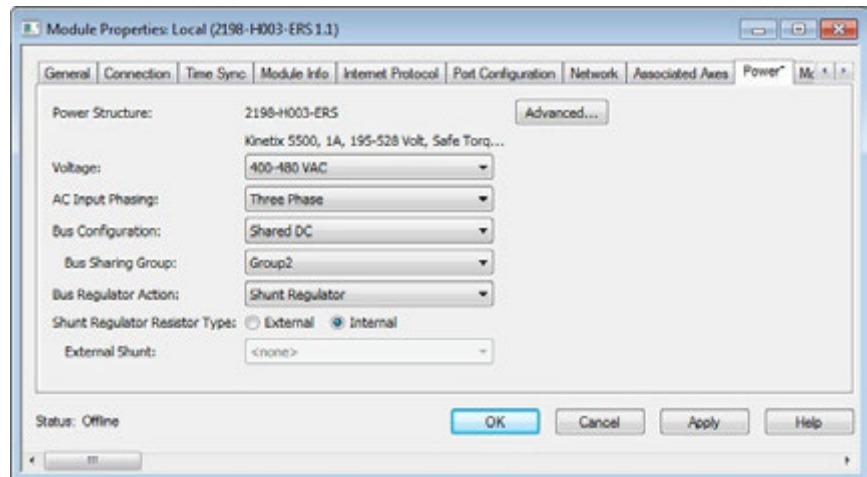
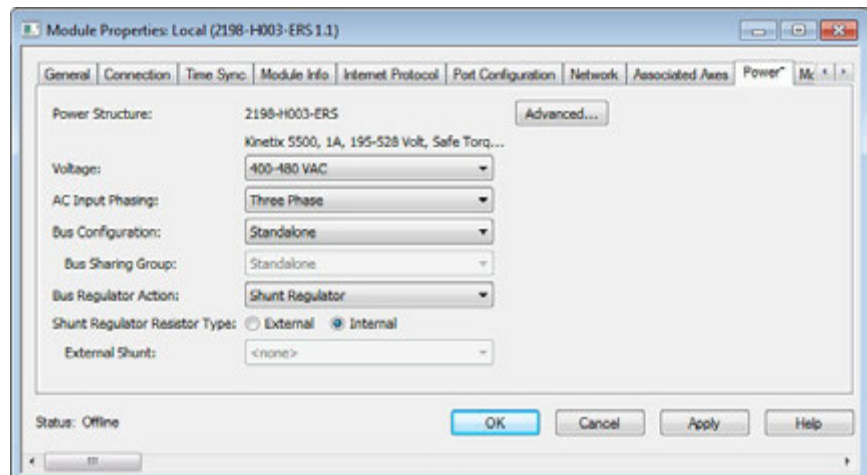


Figure 70 - Standalone Drive Configuration



Test and Tune the Axes

This procedure assumes that you have configured your Kinetix 5500 drive, your Logix 5000 controller, and applied power to the system.

IMPORTANT Before proceeding with testing and tuning your axes, verify that the MOD and NET status indicators are operating as described in [Kinetix 5500 Drive Status Indicators](#) on [page 158](#).

For help using the Logix Designer application as it applies to testing and tuning your axes with a Logix 5000 controller, refer to [Additional Resources](#) on [page 12](#).

Test the Axes

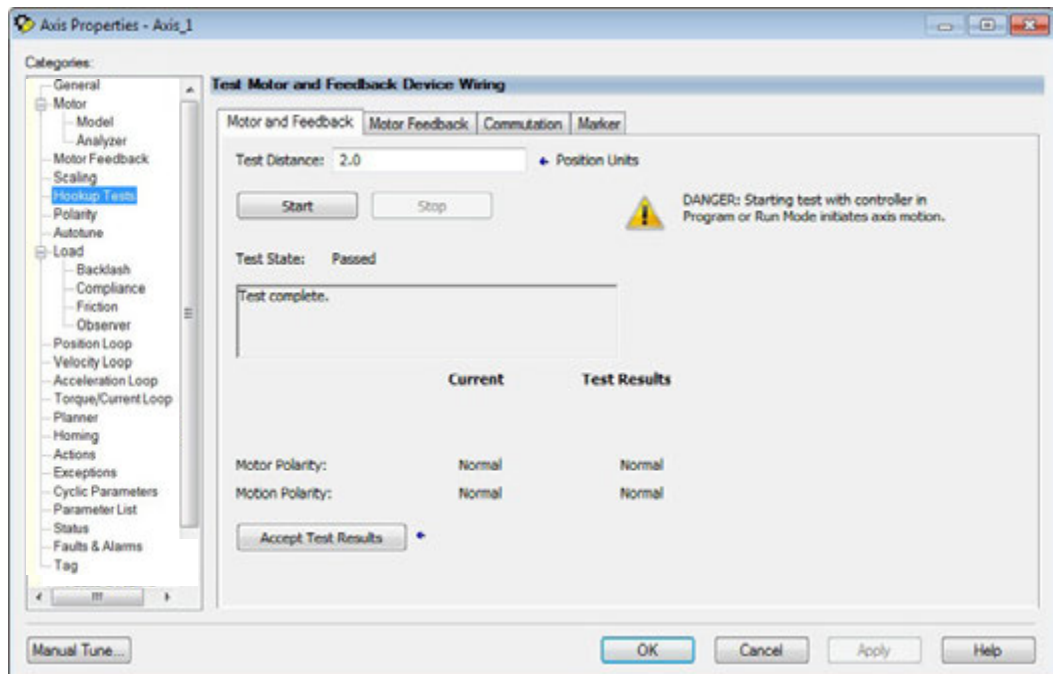
Follow these steps to test the axes.

1. Verify the load was removed from each axis.



ATTENTION: To avoid personal injury or damage to equipment, you must remove the load from each axis as uncontrolled motion can occur when an axis with an integral motor brake is released during the test.

2. In your Motion Group folder, right-click an axis and choose Properties. The Axis Properties dialog box appears.
3. Click the Hookup Tests category.



4. In the Test Distance field, enter the desired test distance.

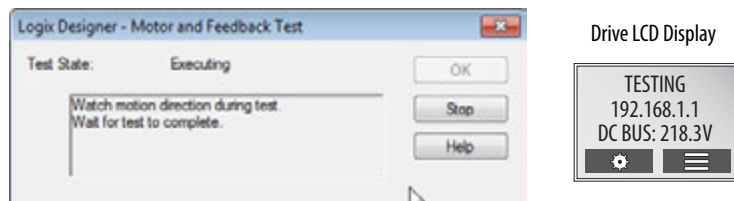
The Position Units are defined in the Axis Properties>Scaling tab.

5. Click the desired test to verify connections.

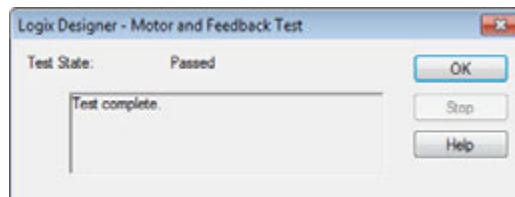
Hookup Test	Definitions
Marker	Verifies marker detection capability as you manually rotate the motor shaft. The test completes when the drive either detects the marker or when the motor moves the distance specified in the Test Distance field. If the marker remains undetected and the test completes successfully, it means the motor moved the full test distance. If the marker remains undetected and the test fails, the motor did not move the full test distance. Run this test after running the Motor Feedback and Motor and Feedback tests.
Commutation	Verifies the commutation offset and commutation polarity of the motor. For Kinetix 5500 drives, this test applies to only third-party motors. See Commutation Test on page page 262 .
Motor Feedback	Verifies feedback connections are wired correctly as you manually rotate the motor shaft. The test completes when the drive determines that the motor moved the full distance specified in the Test Distance field. Run this test before the Motor and Feedback Test to verify that the feedback can be read properly.
Motor and Feedback	Verifies motor power and feedback connections are wired correctly as the drive commands the motor to rotate. Because the drive is rotating the motor, this test requires full bus power to run. Run the Motor Feedback test before running this test to verify that the feedback is being read correctly.

6. Click Start.

The Logix Designer - Motor and Feedback Test dialog box appears. The Test State is Executing. TESTING appears on the drive LCD display.

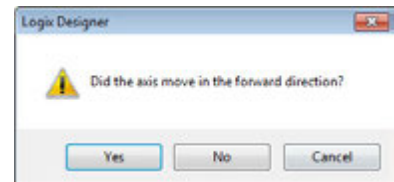


When the test completes successfully, the Test State changes from Executing to Passed.



7. Click OK.

This dialog box appears asking if the direction was correct.

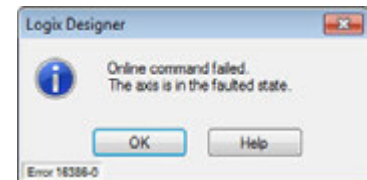


8. Click Yes.

9. Click Accept Test Results.

10. If the test fails, this dialog box appears.

- a. Click OK.
- b. Verify the DC bus voltage.
- c. Verify unit values entered in the Scaling category.
- d. Verify the motor power and feedback wiring.
- e. Return to [step 6](#) and run the test again.



Tune the Axes

Choose the tuning procedure best suited for your motor type.

Motor Type	Go directly to
Permanent magnet (PM)	Tune Permanent Magnet Motors
Induction	Tune Induction Motors on page 153

Tune Permanent Magnet Motors

The load observer feature provides high-performance motion control without having to manually tune your axis. Using load observer with a default set of gains can yield high-performance right out of the box. Most of the time, there is no need to perform an auto-tune procedure or further optimize gain settings.

Follow these steps to configure the drive for high-performance by using the load observer feature.

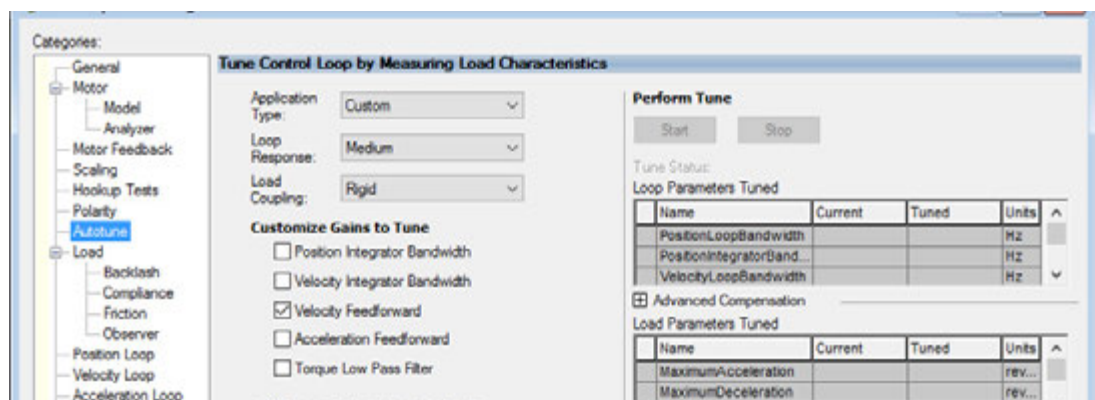
1. Verify that the load is connected.

Re-attach the load if it was disconnected for the Hookup Test.



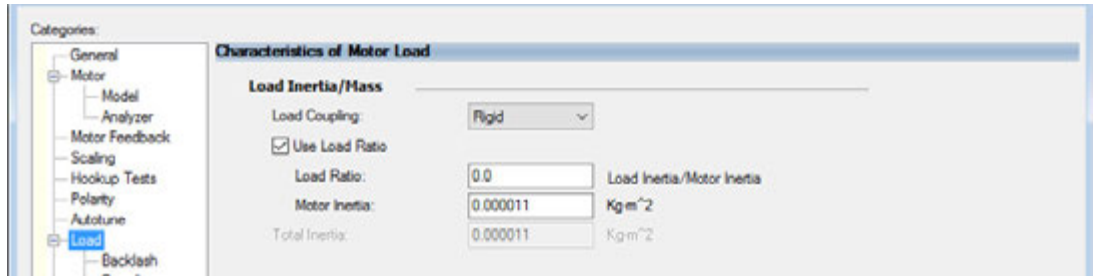
ATTENTION: If the drive has not been enabled before (new installation), verify that you have safeguards in place to safely remove power from the drive in the event of an unstable situation where the drive can produce undesired motion.

2. Click the Autotune tab in the Axis Properties dialog box.
 - a. From the pull-down menus for Application Type, Loop Response, and Load Coupling, choose Custom, Medium, and Rigid settings, respectively.
 - b. Verify that only the Velocity Feedforward box is checked.

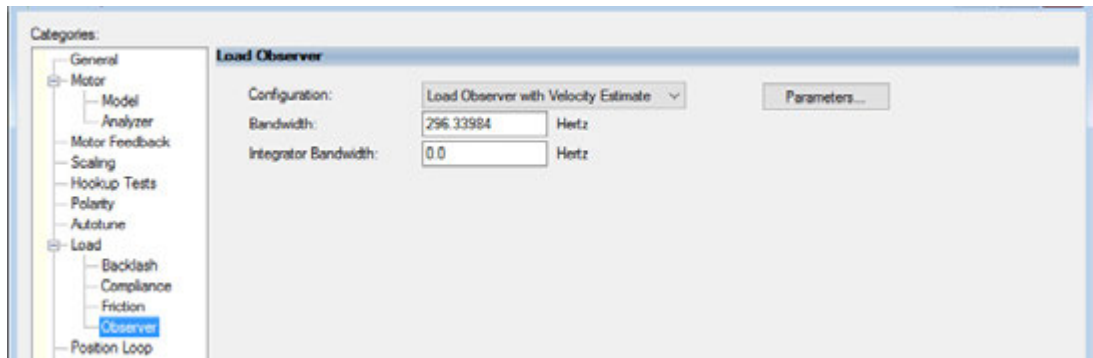


Uncheck Torque Low Pass Filter (that is checked by default).

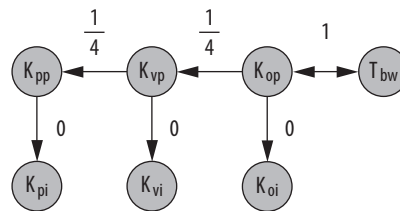
3. Click the Load category in the Axis Properties dialog box.
 - a. Check Use Load Ratio.
 - b. Set the Load Ratio = 0.



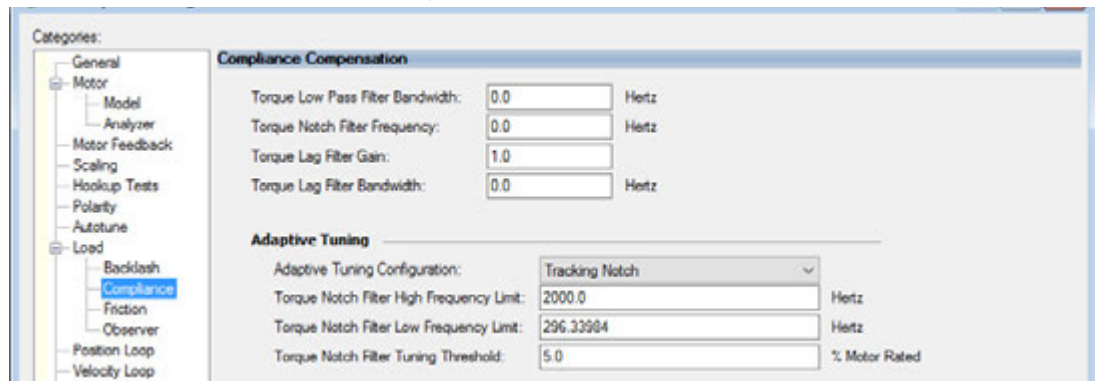
4. Click the Observer category in the Axis Properties dialog box.
 - a. From the Configuration pull-down menu, choose Load Observer with Velocity Estimate if the axis is configured for Position Loop control.
Choose Load Observer Only if the axis is configured for Velocity Loop control.
Load Observer is not available for Torque Loop control.



- b. Click Apply and click Yes to update all dependent attributes.
The Load Observer Bandwidth and other gains are set automatically.



5. Click the Compliance category in the Axis Properties dialog box.
 - a. From the Adaptive Tuning Configuration pull-down menu, choose Tracking Notch.



- b. Click Apply.
6. Enable the drive for a few seconds with an MSO instruction or motion direct command, followed by an MSF instruction or motion direct command, to make sure that no audible squealing noise is present.

IMPORTANT If an audible squealing noise is heard, go to Axis Properties>Load>Compliance category and set the Torque Notch Filter Frequency field (Hz) to remove the noise. Refer to Motion System Tuning Application Techniques, publication [MOTION-AT005](#) (Compensating for High Frequency Resonances), for information on how to set the Torque Notch Filter Frequency field.

7. Repeat [Test and Tune the Axes](#) for each axis.

Tune Induction Motors

IMPORTANT The Automatic FluxUpControl setting is recommended for best Autotune results.

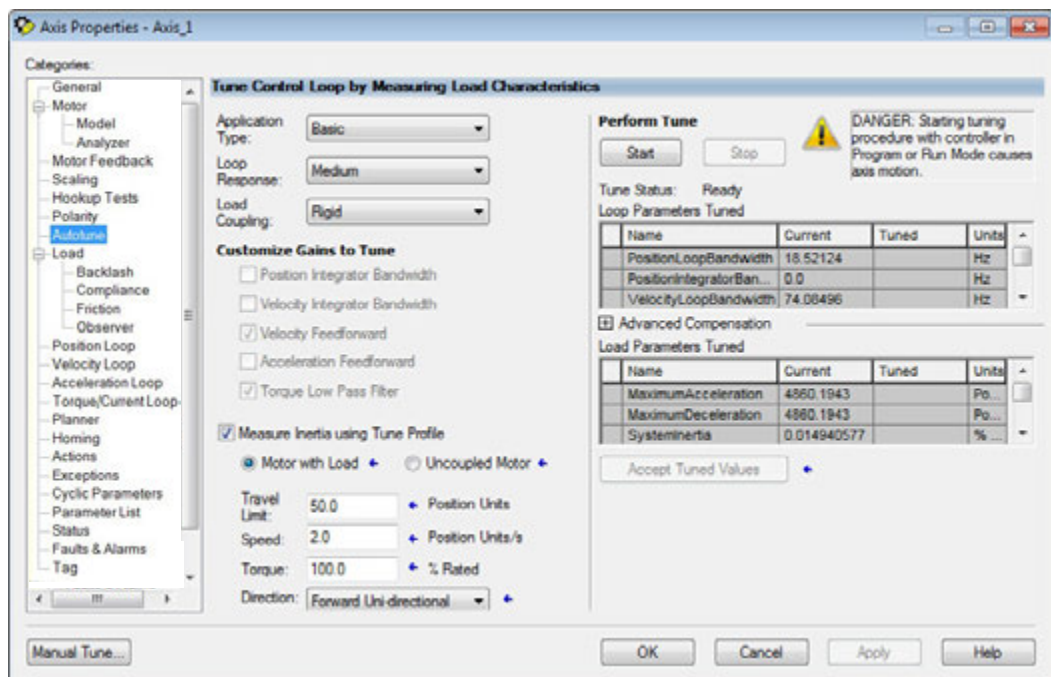
Follow these steps to tune the induction motor axes.

1. Verify the load is removed from the axis being tuned.



ATTENTION: To reduce the possibility of unpredictable motor response, tune your motor with the load removed first, then re-attach the load and perform the tuning procedure again to provide an accurate operational response.

2. Select the Autotune category.



3. Type values for Travel Limit and Speed.

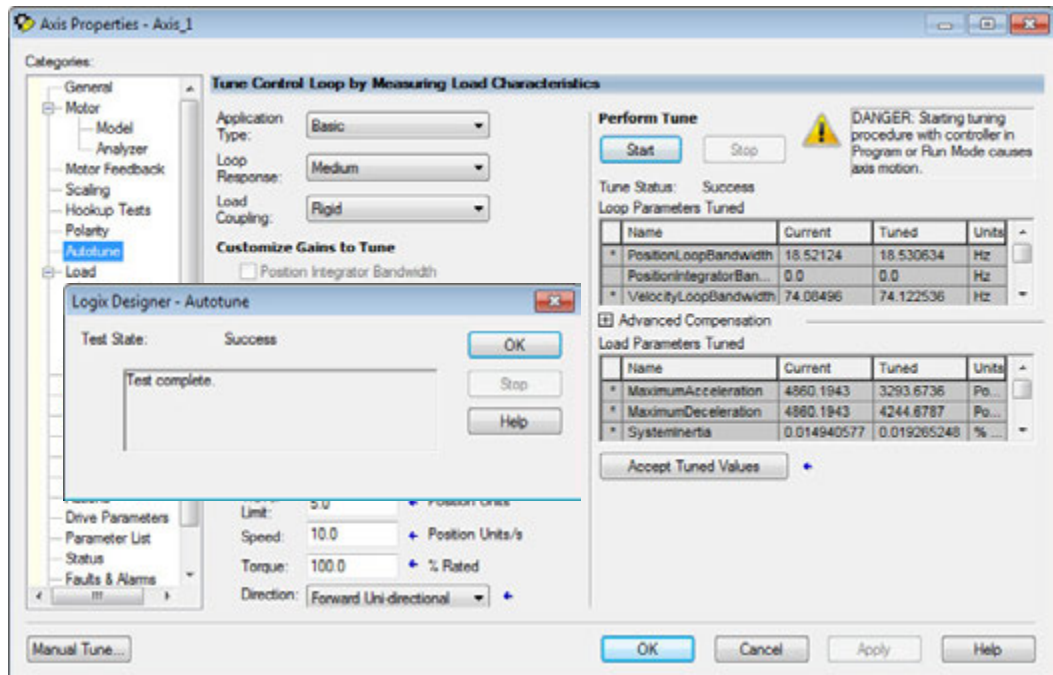
In this example, Travel Limit = 50.0 and Speed = 2.0. The actual value of programmed units depend on your application.

4. From the Direction pull-down menu, choose a setting appropriate for your application.

Forward Uni-directional is default.

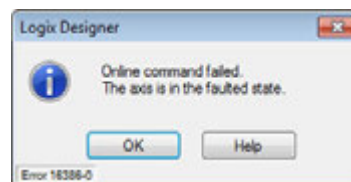
5. Edit other fields as appropriate for your application.
6. Click Start.

The Logix Designer - Autotune dialog box appears. When the test completes, the Test State changes from Executing to Success.



Tuned values populate the Loop and Load parameter tables. Actual bandwidth values (Hz) depend on your application and can require adjustment once motor and load are connected.

7. Click Accept Tuned Values.
8. Click OK to close the Logix Designer - Autotune dialog box.
9. Click OK to close the Axis Properties dialog box.
10. If the test fails, this dialog box appears.



- a. Click OK.
- b. Make an adjustment to motor velocity.
- c. Refer to the controller user manual for more information.
- d. Return to [step 6](#) and run the test again.
11. Repeat [Test and Tune the Axes](#) for each axis.

Troubleshoot the Kinetix 5500 Drive System

This chapter provides troubleshooting tables and related information for your Kinetix® 5500 servo drives.

Topic	Page
Safety Precautions	155
Interpret Status Indicators	156
General Troubleshooting	159
Logix 5000 Controller and Drive Behavior	161

Safety Precautions

Observe the following safety precautions when troubleshooting your Kinetix 5500 servo drive.



ATTENTION: Capacitors on the DC bus can retain hazardous voltages after input power has been removed. Before working on the drive, measure the DC bus voltage to verify that it has reached a safe level or wait the full-time interval as indicated in the warning on the front of the drive. Failure to observe this precaution could result in severe bodily injury or loss of life.



ATTENTION: Do not attempt to defeat or override the drive fault circuits. You must determine the cause of a fault and correct it before you attempt to operate the system. Failure to correct the fault could result in personal injury and/or damage to equipment as a result of uncontrolled machine operation.



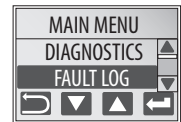
ATTENTION: Provide an earth ground for test equipment (oscilloscope) used in troubleshooting. Failure to ground the test equipment could result in personal injury.

Interpret Status Indicators




Refer to these troubleshooting tables to identify faults, potential causes, and the appropriate actions to resolve the fault. If the fault persists after attempting to troubleshoot the system, contact your Rockwell Automation sales representative for further assistance.

Display Interface

The LCD display provides fault messages and troubleshooting information by using the soft menu items and navigation buttons.



Under the Main Menu, select FAULT LOG by using the up/down arrows.

	Press to display the list of active fault codes.
	Press again to display the fault details (the problem in troubleshooting tables).
	Press to display the fault help (possible solutions in troubleshooting tables).

Refer to [Understand the Kinetix 5500 Display](#) on [page 108](#) for more information on navigating the LCD display menu.

Fault Code Overview

The fault code tables are designed to help you determine the source of the fault or exception. When a fault condition is detected, the drive performs the appropriate fault action, the fault is displayed, and the fault is added to a persistent fault log (along with diagnostics data). The earlier faults have priority to be displayed.

The drive removes the fault text from the display when a Fault Reset service is sent from the controller and the fault is no longer active. If a fault is still active following a Fault Reset service, the fault is again posted to the display and written to the fault log.

However, there is a delay before the fault is posted again. In a Studio 5000 Logix Designer® application, this delay results as the AxisFault tag on the drive axis being cleared until the fault is posted again. During this delay, the AxisState tag continues to indicate that the axis is faulted. Use the AxisState tag on the axis object and only to determine if an axis is faulted.

Although software overtravel fault codes do not exist, software overtravel detection for the AXIS_CIP_DRIVE axis type is determined in the Logix 5000™ controller. For more information, see Integrated Motion on the EtherNet/IP™ Network Reference Manual, publication [MOTION-RM003](#).

The drive maintains a log of the last 128 faults with time stamps and is stored in persistent memory. However, the fault log cannot be cleared on the drive.

Table 56 - Fault Code Summary

Fault Code Type ⁽¹⁾ ⁽²⁾	Description
FLT Sxx	Standard runtime axis exceptions. The exception can apply to an individual axis or to all axes.
FLT Mxx	Manufacturer-specific runtime axis exception. The exception can apply to an individual axis or to all axes.
INIT FLT Sxx	Exceptions that prevent normal operation and occur during the initialization process.
INIT FLT Mxx	
NODE FLTxx	Exceptions that can prevent normal operation of the drive module and apply to the entire module and affect all axes.
NODE ALARM xx	Exceptions that can prevent normal operation of the drive module, but do not result in any action other than reporting the alarm to the controller.
INHIBIT Sxx	Conditions that prevent normal operation and indicate that the drive module is prevented from being enabled.
INHIBIT Mxx	
ALARM Sxx	An underlying exception condition that does not result in any action other than reporting the alarm to the controller.
ALARM Mxx	
SAFE FLTxx	Exception that is generated by a fault condition that is detected in the safety function.

(1) Sxx refers to Standard exceptions.

(2) Mxx refers to Manufacturer-specific exceptions.

TIP Fault codes that are triggered by conditions that fall outside factory-set limits are identified by FL at the end of the display message. For example, FLT S07 – MTR OVERLOAD FL.

Fault codes that are triggered by conditions that fall outside user-set limits are identified by UL at the end of the display message. For example, FLT S08 – MTR OVERLOAD UL.

Fault Codes

For Kinetix 5500 fault codes and descriptions, see the Knowledgebase Answer ID: [1091726](#).

Kinetix 5500 Drive Status Indicators

The module status and network status indicators are just above the LCD status display.

IMPORTANT Status indicators are not reliable for safety functions. Use them only for general diagnostics during commissioning or troubleshooting. Do not attempt to use status indicators to determine operational status.

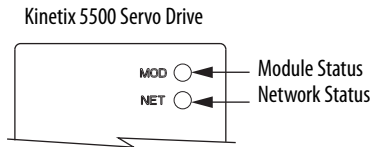


Table 57 - Module Status Indicator

Condition	Status
Steady Off	No power applied to the drive.
Steady Green	Drive is operational. No faults or failures.
Flashing Green	Standby (drive not configured).
Flashing Red	Major recoverable fault. The drive detected a recoverable fault, for example, an incorrect or inconsistent configuration.
Steady Red	Major fault. The drive detected a non-recoverable fault.
Flashing Green/Red	Self-test. The drive performs self-test during powerup.

Table 58 - Network Status Indicator

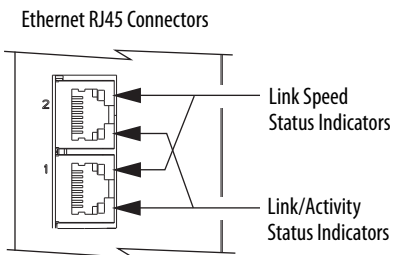
Condition	Status
Steady Off	No power applied to the drive or IP address is not configured.
Flashing Green	Drive connection is not established, but has obtained an IP address.
Steady Green	Drive connection is established. Normal operation.
Flashing Red	Connection timeout. One or more of the connections, for which this drive is the target, has timed out.
Steady Red	Duplicate IP address. IP address specified is already in use.
Flashing Green/Red	Self-test. The drive performs self-test during powerup.

Table 59 - Ethernet Link Speed Status Indicator

Condition	Status
Steady Off	10 Mbit
Steady On	100 Mbit

Table 60 - Ethernet Link/Activity Status Indicator

Condition	Status
Steady Off	No link
Steady On	Link established
Blinking	Network activity



Kinetix 5500 Capacitor Module Status Indicators

The capacitor module status indicator and module status (MS) connector are on the front of the module. The module status connector is a relay output suitable for wiring to the Logix 5000 controller.

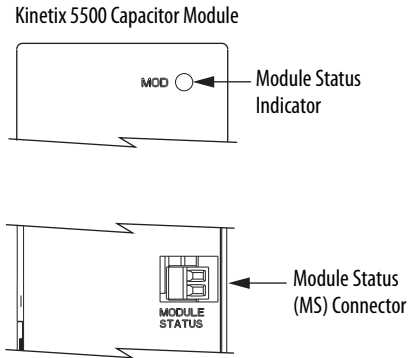


Table 61 - Module Status Indicator and Relay Output

Module Status Indicator	Relay Output (1)	Status	Resolution
Steady Green	Closed	Bus is fully charged and no faults exist.	N/A
Flashing Green	Open	Control power is present and bus is waiting to charge up.	N/A
Flashing Red	Open	Recoverable fault (precharge or overvoltage fault).	<ul style="list-style-type: none"> • Cycle control and bus power • Verify that AC input meets specifications
Steady Red	Open	Internal, non-recoverable fault condition inside the module.	<ul style="list-style-type: none"> • Cycle control and bus power • Verify that AC input meets specifications • Replace the module if fault persists

(1) Wiring the module status relay output to the Logix 5000 controller is optional.

General Troubleshooting

These conditions do not always result in a fault code, but can require troubleshooting to improve performance.

Condition	Potential Cause	Possible Resolution
Axis or system is unstable.	The position feedback device is incorrect or open.	Check wiring.
	Unintentionally in Torque mode.	Check to see what primary operation mode was programmed.
	Motor tuning limits are set too high.	Run Tune in the Logix Designer application.
	Position loop gain or position controller accel/decel rate is improperly set.	Run Tune in the Logix Designer application.
	Improper grounding or shielding techniques are causing noise to be transmitted into the position feedback or velocity command lines, causing erratic axis movement.	Check wiring and ground.
	Motor Select limit is incorrectly set (servo motor is not matched to axis module).	<ul style="list-style-type: none"> • Check setups. • Run Tune in the Logix Designer application.
	Mechanical resonance.	<ul style="list-style-type: none"> • Notch filter or output filter can be required (refer to Axis Properties dialog box, Output tab in the Logix Designer application). • Enable adaptive tuning. See Adaptive Tuning on page 262 for more notch filter information.
You cannot obtain the motor acceleration/deceleration that you want.	Torque Limit limits are set too low.	Verify that torque limits are set properly.
	Incorrect motor selected in configuration.	Select the correct motor and run Tune in the Logix Designer application again.
	The system inertia is excessive.	<ul style="list-style-type: none"> • Check motor size versus application need. • Review servo system sizing.
	The system friction torque is excessive.	Check motor size versus application need.
	Available current is insufficient to supply the correct accel/decel rate.	<ul style="list-style-type: none"> • Check motor size versus application need. • Review servo system sizing.
	Acceleration limit is incorrect.	Verify limit settings and correct them, as necessary.
	Velocity Limit limits are incorrect.	Verify limit settings and correct them, as necessary.
	The motor is operating in the field-weakening range of operation.	Reduce the commanded acceleration or deceleration.

Condition	Potential Cause	Possible Resolution
Motor does not respond to a command.	The axis cannot be enabled until stopping time has expired.	Disable the axis, wait for 1.5 seconds, and enable the axis.
	The motor wiring is open.	Check the wiring.
	The motor cable shield connection is improper.	<ul style="list-style-type: none"> Check feedback connections. Check cable shield connections.
	The motor has malfunctioned.	Repair or replace the motor.
	The coupling between motor and machine has broken (for example, the motor moves, but the load/machine does not).	Check and correct the mechanics.
	Primary operation mode is set incorrectly.	Check and properly set the limit.
	Velocity or torque limits are set incorrectly.	Check and properly set the limits.
	Brake connector not wired	Check brake wiring
Presence of noise on command or motor feedback signal wires.	Recommended grounding per installation instructions have not been followed.	<ul style="list-style-type: none"> Verify grounding. Route wire away from noise sources. Refer to System Design for Control of Electrical Noise, publication GMC-RM001.
	Line frequency can be present.	<ul style="list-style-type: none"> Verify grounding. Route wire away from noise sources.
	Variable frequency can be velocity feedback ripple or a disturbance caused by gear teeth or ballscrew, and so forth. The frequency can be a multiple of the motor power transmission components or ballscrew speeds resulting in velocity disturbance.	<ul style="list-style-type: none"> Decouple the motor for verification. Check and improve mechanical performance, for example, the gearbox or ballscrew mechanism.
No rotation	The motor connections are loose or open.	Check motor wiring and connections.
	Foreign matter is lodged in the motor.	Remove foreign matter.
	The motor load is excessive.	Verify the servo system sizing.
	The bearings are worn.	Return the motor for repair.
	The motor brake is engaged (if supplied).	<ul style="list-style-type: none"> Check brake wiring and function. Return the motor for repair.
	The motor is not connect to the load.	Check coupling.
Motor overheating	The duty cycle is excessive.	Change the command profile to reduce accel/decel or increase time.
	The rotor is partially demagnetized causing excessive motor current.	Return the motor for repair.
Abnormal noise	Motor tuning limits are set too high.	Run Tune in the Logix Designer application.
	Loose parts are present in the motor.	<ul style="list-style-type: none"> Remove the loose parts. Return motor for repair. Replace motor.
	Through bolts or coupling is loose.	Tighten bolts.
	The bearings are worn.	Return motor for repair.
	Mechanical resonance.	Notch filter can be required (refer to Axis Properties dialog box, Output tab in the Logix Designer application).
Erratic operation - Motor locks into position, runs without control or with reduced torque.	Motor power phases U and V, U and W, or V and W reversed.	Check and correct motor power wiring.

Logix 5000 Controller and Drive Behavior

By using the Logix Designer application, you can configure how the Kinetix 5500 drives respond when a drive fault/exception occurs.

TIP The INIT FLT *xxx* faults are always generated after powerup, but before the drive is enabled, so the stopping behavior does not apply.

NODE ALARM *xxx* faults do not apply because they do not trigger stopping behavior.

The drive supports fault actions for Ignore, Alarm, Minor Fault, and Major Fault as defined in [Table 62](#). The drive also supports three configurable stopping actions as defined in [Table 64](#).

Refer to the drive behavior tables beginning on [page 163](#) to see how the fault and stopping actions apply to each of the exception fault codes.

Table 62 - Kinetix 5500 Drive Exception Action Definitions

Exception Action	Definition
Ignore	The drive completely ignores the exception condition. For some exceptions that are fundamental to the operation of the planner, Ignore is not an available option.
Alarm	The drive sets the associated bit in the Motion Alarm Status word, but does not otherwise affect axis behavior. Like Ignore, if the exception is so fundamental to the drive, Alarm is not an available option. When an exception action is set to Alarm, the Alarm goes away by itself when the exceptional condition has cleared.
Minor Fault	The drive latches the exception condition but the drive does not execute any exception action.
Major Fault	The drive latches the exception condition and executes the configured exception action.

You can configure exception behavior in the Logix Designer application from the Axis Properties dialog box, Actions category. These controller exception actions are mapped to the drive exception actions.

Table 63 - Logix Designer Exception Action Definitions

Exception Action	Definition
Ignore	The controller completely ignores the exception condition. For some exceptions that are fundamental to the operation of the planner, Ignore is not an available option.
Alarm	The controller sets the associated bit in the Motion Alarm Status word, but does not otherwise affect axis behavior. Like Ignore, if the exception is so fundamental to the drive, Alarm is not an available option. When an exception action is set to Alarm, the Alarm goes away by itself when the exceptional condition has cleared.
Fault Status Only	Like Alarm, Fault Status Only instructs the controller to set the associated bit in the Motion Fault Status word, but does not otherwise affect axis behavior. However, unlike Alarm an explicit Fault Reset is required to clear the fault once the exceptional condition has cleared. Like Ignore and Alarm, if the exception is so fundamental to the drive, Fault Status Only is not an available option.
Stop Planner	The controller sets the associated bit in the Motion Fault Status word and instructs the Motion Planner to perform a controlled stop of all planned motion at the configured maximum deceleration rate. An explicit Fault Reset is required to clear the fault once the exceptional condition has cleared. If the exception is so fundamental to the drive, Stop Planner is not an available option.
StopDrive (v31 and earlier) Disable (v32 and later)	When the exception occurs, the associated bit in the Fault Status word is set and the axis comes to a stop by using the stopping action defined by the drive for the particular exception that occurred. There is no controller based configuration to specify what the stopping action is, the stopping action is device dependent.
Shutdown	When the exception occurs, the drive brings the motor to a stop by using the stopping action defined by the drive (as in Stop Drive) and the power module is disabled. An explicit Shutdown Reset is required to restore the drive to operation.

For Kinetix 5500 drives, only selected exceptions are configurable. In the drive behavior tables, the controlling attribute is given for programmable fault actions.

Table 64 - Configurable Stopping Actions

Stopping Action	Description	
Decel and hold	Most control	The best available stopping action is the one that maintains the most control over the motor. However, not all faults support every stopping action.
Decel and disable ⁽¹⁾	Less control	
Disable and coast	Least control	

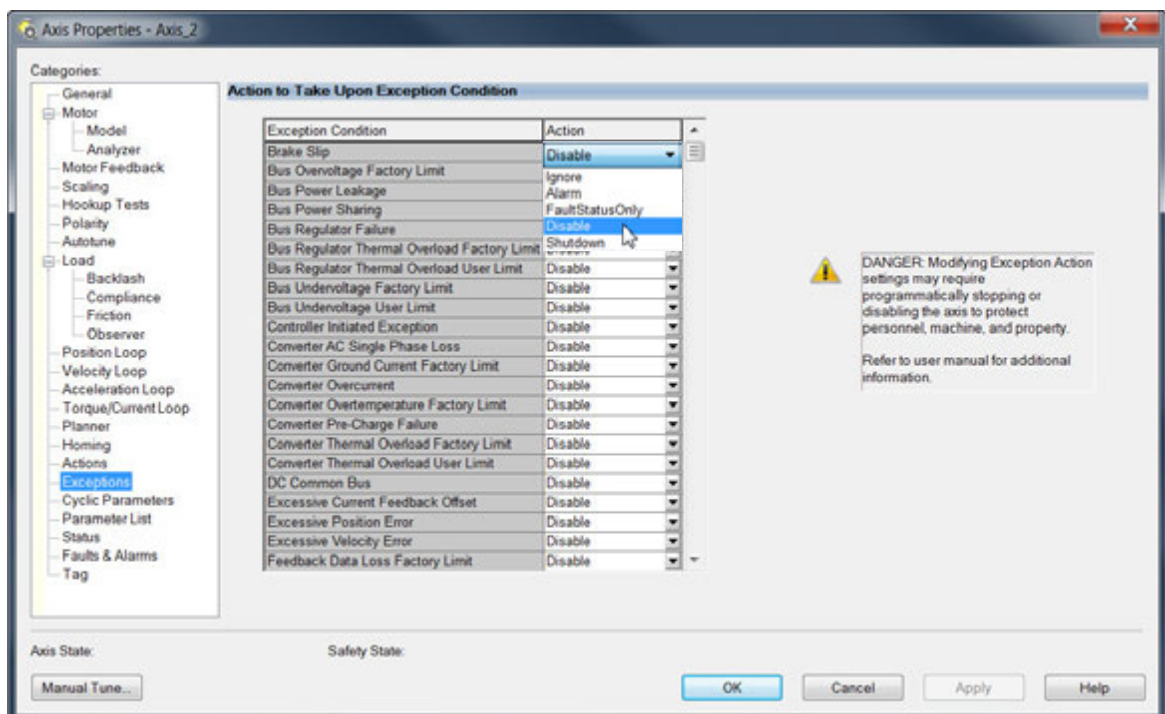
(1) When configured for Frequency Control (induction motors only), select Decel and disable only when the Current Limiting feature is enabled. For more information on this feature, see [Current Limiting for Frequency Control](#) on [page 232](#).

When configured for Frequency Control (IM motors only), Decel and disable should only be selected when the Current Limiting feature has been enabled. For more information on this feature, refer to [Appendix D](#).

Only selected drive exceptions are configurable. In the drive behavior tables, the controlling attribute is given for programmable fault actions.

TIP In the Logix Designer application, version 32.00 and later, Disable replaced StopDrive as the default Action.

Figure 71 - Logix Designer Axis Properties - Actions Category



This dialog box applies to Kinetix 5500 (EtherNet/IP network) servo drives.

Table 65 - Drive Behavior, FLT Sxx Fault Codes

Exception Fault Code	Exception Text	Permanent Magnet Motor	Induction Motor	Fault Action				Best Available Stopping Action (applies to major faults)
				Ignore	Alarm	Minor Fault	Major Fault	
FLT S02 – MTR COMMUTATION	Motor Commutation Fault	X	–	–	–	–	X	Disable/Coast
FLT S03 – MTR OVERSPEED FL	Motor Overspeed Factory Limit Fault	X	X	–	–	–	X	Disable/Coast
FLT S04 – MTR OVERSPEED UL	Motor Overspeed User Limit Fault	X	X	X	X	X	X	Decel/Hold
FLT S05 – MTR OVERTEMP FL	Motor Overtemperature Factory Limit Fault	X	–	–	–	–	X	Disable/Coast
FLT S07 – MTR OVERLOAD FL	Motor Thermal Overload Factory Limit Fault	X	X	–	–	–	X	Decel/Disable
FLT S08 – MTR OVERLOAD UL	Motor Thermal OverLoad User Limit Fault	X	X	X	X	X	X	Decel/Hold
FLT S10 – INV OVERCURRENT	Inverter Overcurrent Fault	X	X	–	–	–	X	Disable/Coast
FLT S11 – INV OVERTEMP FL	Inverter Overtemperature Factory Limit Fault	X	X	–	–	–	X	Disable/Coast
FLT S13 – INV OVERLOAD FL	Inverter Thermal Overload Factory Limit Fault	X	X	–	–	–	X	Disable/Coast
FLT S14 – INV OVERLOAD UL	Inverter Thermal Overload User Limit Fault	X	X	X	X	X	X	Decel/Hold
FLT S15 – CONV OVERCURRENT	Converter Overcurrent Fault	X	X	–	–	–	X	Disable/Coast
FLT S16 – GROUND CURRENT	Ground Current Factory Limit Fault	X	X	–	–	–	X	Disable/Coast
FLT S18 – CONV OVERTEMP FL	Converter OverTemp Factory Limit Fault	X	X	–	–	–	X	Disable/Coast
FLT S20 – CONV OVERLOAD FL	Converter Thermal OverLoad Factory Limit Fault	X	X	–	–	–	X	Disable/Coast
FLT S21 – CONV OVERLOAD UL	Converter Thermal Overload User Limit Fault	X	X	X	X	X	X	Decel/Hold
FLT S23 – AC PHASE LOSS	AC Single Phase Loss Fault	X	X	X	X	X	X	Decel/Disable
FLT S25 – PRECHARGE FAILURE	Pre-charge Failure Fault	X	X	–	–	–	X	Disable/Coast
FLT S29 – BUS OVERLOAD FL	Bus Regulator Thermal OverLoad Factory Limit Fault	X	X	–	–	–	X	Disable/Coast
FLT S30 – BUS OVERLOAD UL	Bus Regulator Thermal Overload User Limit Fault	X	X	X	X	X	X	Decel/Hold
FLT S31 – BUS REG FAILURE	Bus Regulator Failure	X	X	–	–	–	X	Disable/Coast
FLT S33 – BUS UNDERVOLT FL	Bus Undervoltage Factory Limit Fault	X	X	–	–	–	X	Decel/Disable
FLT S34 – BUS UNDERVOLT UL	Bus Undervoltage User Limit Fault	X	X	X	X	X	X	Decel/Hold
FLT S35 – BUS OVERVOLT FL	Bus Overvoltage Factory Limit Fault	X	X	–	–	–	X	Disable/Coast
FLT S39 – BUS POWER LEAKAGE	Bus Power Leakage Fault	X	X	–	–	–	X	Decel/Disable
FLT S45 – FDBK COMM FL ⁽¹⁾	Motor Feedback Data Loss Factory Limit Fault	X	–	–	–	–	X	Disable/Coast
FLT S47 – FDBK DEVICE FAILURE	Feedback Device Failure	X	–	–	–	–	X	Disable/Coast
FLT S49 – BRAKE SLIP FLT	Brake Slip Exception	X	–	X	X	X	X	Decel/Hold
FLT S50 – POS HW OTRAVEL	Hardware Overtravel - Positive	X	X	X	X	X	X	Decel/Hold

Table 65 - Drive Behavior, FLT Sxx Fault Codes (continued)

Exception Fault Code	Exception Text	Permanent Magnet Motor	Induction Motor	Fault Action				Best Available Stopping Action (applies to major faults)
				Ignore	Alarm	Minor Fault	Major Fault	
FLT S51 – NEG HW OTRAVEL	Hardware Overtravel - Negative	X	X	X	X	X	X	Decel/Hold
FLT S54 – POSN ERROR ⁽¹⁾	Excessive Position Error Fault	X	–	X	X	X	X	Disable/Coast
FLT S55 – VEL ERROR ⁽¹⁾	Excessive Velocity Error Fault	X	–	X	X	X	X	Disable/Coast
FLT S56 – OVERTORQUE LIMIT ⁽¹⁾	Overtorque Limit Fault	X	–	X	X	X	X	Decel/Hold
FLT S57 – UNDERTORQUE LIMIT ⁽¹⁾	Undertorque Limit Fault	X	–	X	X	X	X	Decel/Hold

(1) Does not apply to induction motors in frequency control mode.

Table 66 - Drive Behavior, FLT Mxx Fault Codes

Exception Fault Code	Exception Text	Permanent Magnet Motor	Induction Motor	Fault Action				Best Available Stopping Action (applies to major faults)
				Ignore	Alarm	Minor Fault	Major Fault	
FLT M02 – MOTOR VOLTAGE	Motor Voltage Mismatch Fault	X	X	X	X	X	X	Disable/Coast
FLT M25 – COMMON BUS	DC Common Bus Fault	X	X	–	–	–	X	Decel/Disable
FLT M26 – RUNTIME ERROR	Runtime Error	X	X	–	–	–	X	Disable/Coast
FLT M28 – SAFETY COMM (2198-Hxxx-ERS2 drives only)	Safety Module Communication Error	X	X	–	–	–	X	Disable/Coast

Table 67 - Drive Behavior, NODE FLT Fault Codes

Exception Fault Code	Exception Text	Permanent Magnet Motor	Induction Motor	Fault Action				Best Available Stopping Action (applies to major faults)
				Ignore	Alarm	Minor Fault	Major Fault	
NODE FLT 01 – LATE CTRL UPDATE	Control Connection Update Fault	X	X	–	–	–	X	Decel/Disable
NODE FLT 02 – PROC WATCHDOG	Processor Watchdog Fault	X	X	–	–	–	X	Disable/Coast
NODE FLT 03 – HARDWARE	Hardware Fault	X	X	–	–	–	X	Disable/Coast
NODE FLT 05 – CLOCK SKEW FLT	Clock Skew Fault	X	X	–	–	–	X	Disable/Coast
NODE FLT 06 – LOST CTRL CONN	Lost Controller Connection Fault	X	X	–	–	–	X	Decel/Disable
NODE FLT 07 – CLOCK SYNC	Clock Sync Fault	X	X	–	–	–	X	Disable/Coast
NODE FLT 09 – DUPLICATE IP ADDRESS	Duplicate IP Address Fault	X	X	–	–	–	X	Disable/Coast

Remove and Replace Servo Drives

This chapter provides remove and replace procedures for Kinetix® 5500 drives.

Topic	Page
Before You Begin	165
Remove and Replace Kinetix 5500 Servo Drives	166
Start and Configure the Drive	168



ATTENTION: This drive contains electrostatic discharge (ESD) sensitive parts and assemblies. You are required to follow static-control precautions when you install, test, service, or repair this assembly. If you do not follow ESD control procedures, components can be damaged. If you are not familiar with static control procedures, refer to *Guarding Against Electrostatic Damage*, publication [8000-4.5.2](#), or any other applicable ESD awareness handbook.

Before You Begin

When each drive is installed, network settings are configured from the setup screens. Before removing the drive, revisit the Network menu and make note of the static IP or DHCP settings. Refer to [Configure the Drive](#) on [page 113](#) to access those settings.

IMPORTANT If you intend to use the same Logix Designer application after replacing your drive, the new drive must be the same catalog number as the old drive.

You also need these tools available before you begin removal and replacement procedures:

- Screwdrivers (to loosen/remove screws)
- Voltmeter (to make sure no voltage exists on drive connectors)
- Non-conductive probe for removing DC bus T-connectors

Remove and Replace Kinetix 5500 Servo Drives

Follow these steps to remove and replace servo drives from the panel.

Remove Power and All Connections

1. Verify that all control and input power has been removed from the system.



ATTENTION: To avoid shock hazard or personal injury, make sure that all power has been removed before proceeding. This system can have multiple sources of power. More than one disconnect switch can be required to de-energize the system.

2. Wait five minutes for the DC bus to discharge completely before proceeding.



SHOCK HAZARD: This product contains stored energy devices. To avoid the hazard of electrical shock, verify that voltage on capacitors has been discharged before attempting to service, repair, or remove this unit. Do not attempt the procedures in this document unless you are qualified to do so and are familiar with solid-state control equipment and the safety procedures in publication NFPA 70E.

3. Label and remove all wiring connectors from the drive you are removing. To identify each connector, refer to [Kinetix 5500 Connector Data](#) on [page 62](#).

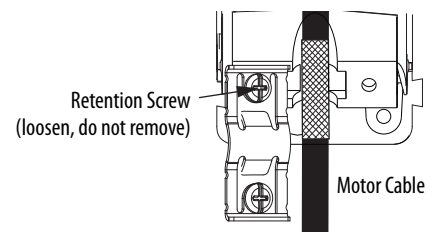
TIP You do not need to remove the shunt (RC) connector, unless there is an external shunt wired to it.

4. Remove the shared-bus input wiring connectors, T-connectors, and bus-bars from the drive you are removing.

IMPORTANT DC bus T-connectors latch on both sides when inserted into the drive. To remove the DC bus T-connector, at least one latch must be pried away with a non-conductive probe.

Refer to [Shared-bus Connection System](#) on [page 51](#).

5. Use a screwdriver to loosen the two cable clamp screws, removing the screw on the right.



6. Remove the single motor cable from the cable shield clamp.
7. Remove the ground screw and braided ground strap.

Refer to [Ground the System Subpanel](#) on [page 80](#).

Remove the Servo Drive

You can remove single-axis drives from the panel or any single drive from a multi-axis configuration by using the same procedure.

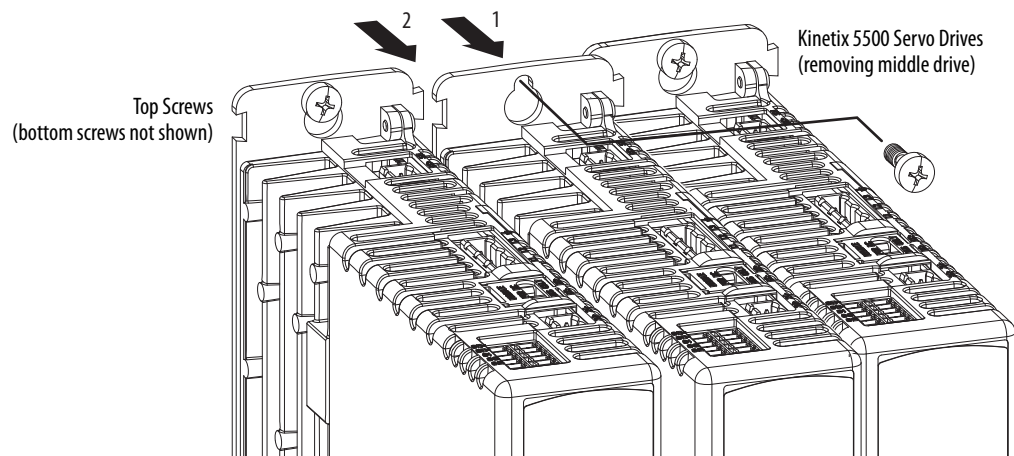
IMPORTANT This procedure applies to any 2198-Hxxx-ERSx drive in any configuration.

Follow these steps to remove Kinetix 5500 servo drives from the panel.

1. Loosen the top and bottom screws of the drive to remove.

Frame 1 and 2 drives have one top and bottom screw. Frame 3 drives have two top and bottom screws.

2. Grasp the top and bottom of the drive with both hands and pull the drive straight out and away from the panel, clearing the zero-stack mounting tabs and cutouts.



Replace the Servo Drive

To replace the servo drive, reverse the steps shown above or refer to [Mount Your Kinetix 5500 Drive](#) on [page 60](#):

- Torque mounting, shield clamp, and ground screws to 2.0 N•m (17.7 lb•in), max
- Reconnect the feedback connector kit and torque the mounting screws to 0.4 N•m (3.5 lb•in), max

Start and Configure the Drive

Follow these steps to configure the replacement drive.

IMPORTANT If you intend to use the same Logix Designer application after replacing your drive, the new drive must be the same catalog number as the old drive.

IMPORTANT If a 2198-Hxxx-ERS2 drive was previously configured by a safety controller, reset the drive to the Out of Box state. Refer to [Out-of-Box State](#) on [page 182](#).

1. Reapply power to the drive/system.
Refer to [Apply Power to the Kinetix 5500 Drive](#) on [page 143](#) for the procedure.
2. Configure the network settings for the drive.
 - a. If your old drive was configured as Static IP, you need to set the IP address, gateway, and subnet mask in the new drive identical to the old drive.
Refer to [Configure the Drive](#) on [page 113](#) to access those settings.
 - b. If you replaced a 2198-Hxxx-ERS2 servo drive in an integrated safety application, review [Understand Integrated Safety Drive Replacement](#) on [page 183](#) and follow the appropriate procedure in [Replace an Integrated Safety Drive in a GuardLogix System](#) on [page 184](#) to properly set the safety network number for the new drive.
3. Download the Logix Designer application to the controller.
4. Verify the drive/system is working properly.

Kinetix 5500 Safe Torque-off - Hardwired Safety

The 2198-Hxxx-ERS servo drives are equipped for hardwired safe torque-off (STO). The hardwired STO function meets the requirements of Performance Level d (PLd) and safety category 3 (CAT 3) per ISO 13849-1 and SIL 2 per IEC 61508, IEC 61800-5-2 and IEC 62061.

Topic	Page
Certification	169
Description of Operation	171
Probability of Dangerous Failure Per Hour	173
Safe Torque-off Connector Data	173
Wire the Safe Torque-off Circuit	174
Safe Torque-off Feature	175
Safe Torque-off Specifications	176

A ControlLogix® 5570, ControlLogix 5580, CompactLogix™ 5370, or CompactLogix 5380 controller is required for hardwired safety control of the Kinetix® 5500 safe torque-off function. The 2198-Hxxx-ERS servo drives use the STO connector for wiring external safety devices and cascading hardwired safety connections from one drive to another.

Certification

The TÜV Rheinland group has approved 2198-Hxxx-ERS servo drives with hardwired safe torque-off for use in safety-related applications up to ISO 13849-1, Performance Level d (PL d) and Category 3, SIL CL 2 per IEC 61508, IEC 61800-5-2, and IEC 62061, in which removing the motion producing power is considered to be the safe state.

For product certifications currently available from Rockwell Automation, go to website rok.auto/certifications.

Important Safety Considerations

The system user is responsible for the following:

- Validation of any sensors or actuators connected to the system
- Completing a machine-level risk assessment
- Certification of the machine to the desired ISO 13849-1 performance level or IEC 62061 SIL level
- Project management and proof testing in accordance with ISO 13849

Category 3 Requirements According to ISO 13849-1

Safety-related parts are designed with these attributes:

- A single fault in any of these parts does not lead to the loss of the safety function.
- A single fault is detected whenever reasonably practicable.
- Accumulation of undetected faults can lead to the loss of the safety function and a failure to remove motion producing power from the motor.

Stop Category Definition

Stop Category 0 as defined in IEC 60204 or safe torque-off as defined by IEC 61800-5-2 is achieved with immediate removal of motion producing power to the actuator.

IMPORTANT In the event of a malfunction, the most likely stop category is Stop Category 0. When designing the machine application, timing and distance must be considered for a coast to stop. For more information regarding stop categories, refer to IEC 60204-1.

Performance Level (PL) and Safety Integrity Level (SIL)

For safety-related control systems, Performance Level (PL), according to ISO 13849-1, and SIL levels, according to IEC 61508 and IEC 62061, include a rating of the systems ability to perform its safety functions. All of the safety-related components of the control system must be included in both a risk assessment and the determination of the achieved levels.

Refer to the ISO 13849-1, IEC 61508, and IEC 62061 standards for complete information on requirements for PL and SIL determination.

Description of Operation

The safe torque-off feature provides a method, with sufficiently low probability of failure, to force the power-transistor control signals to a disabled state. When disabled, or any time power is removed from the safety enable inputs, all of the drive output-power transistors are released from the ON-state. This results in a condition where the drive performs a Category 0 Stop. Disabling the power transistor output does not provide mechanical isolation of the electrical output that is required for some applications.

Under normal operation, the safe torque-off inputs are energized. If either of the safety enable inputs are de-energized, then all of the output power transistors turn off. The safe torque-off response time is less than 12 ms.

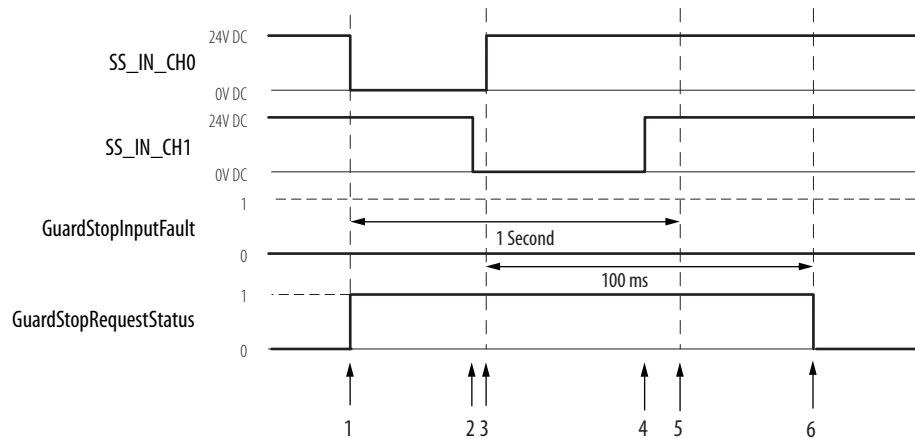


ATTENTION: Permanent magnet motors can, in the event of two simultaneous faults in the IGBT circuit, result in a rotation of up to 180 electrical degrees.



ATTENTION: If any of the safety enable inputs de-energize, the Start Inhibit field indicates SafeTorqueOffInhibit and GuardStopRequestStatus bit of AxisGuardStatus tag set to 1. Both inputs must be de-energized within 1 second and re-energized within 1 second to avoid GuardStopInputFault conditions.

Figure 72 - System Operation when Inputs are Meeting Timing Requirements



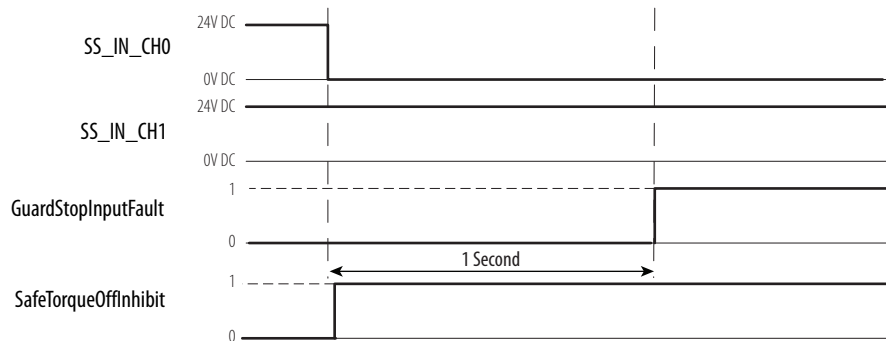
Event	Description
1	At least one input is switched-off. GuardStopRequestStatus bit is set to 1.
2	Second input is switched-off within 1 second. This event must always occur prior to Event 3 to prevent GuardStopInputFault.
3	First input is switched-on.
4	Second input is switched-on within 1 second of event 3.
5	Both inputs are in OFF state simultaneously within 1 second. As a result, GuardStopInputFault is not posted.
6	The GuardStopRequestStatus bit sets back to 0 if event 4 occurs within a 100 ms interval after event 3. If event 4 is outside of the 100 ms interval, but within the a 1 second interval after event 3, then the GuardStop RequestStatus bit sets back to 0 after the 1 second interval following event 3 (not immediately following event 4).

Fault Codes

For Kinetix 5500 fault codes and descriptions, see the Knowledgebase Answer ID: [1091726](#).

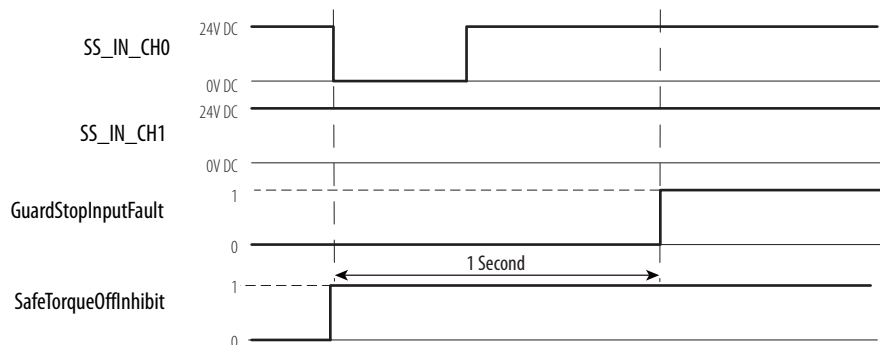
[Figure 73](#) demonstrates when the safe torque-off mismatch is detected and a GuardStopInputFault is posted.

Figure 73 - System Operation in the Event that the Safety Enable Inputs Mismatch



When one safety input is turned off, the second input must also be turned off, otherwise a fault is asserted (see [Figure 74](#)). The fault is asserted even if the first safety input is turned on again, without the second input transitioning to the ON state.

Figure 74 - System Operation in the Event that the Safety Enable Inputs Mismatch Momentarily



ATTENTION: The safe torque-off fault is detected upon demand of the safe torque-off function. After troubleshooting the STO function or performing maintenance that might affect the STO function, the STO function must be executed to verify correct operation.

IMPORTANT The GuardStopInputFault can be reset only if both inputs are in the OFF-state for more than 1 second. After the fault reset requirement is satisfied, an MAFR command in the Logix Designer application must be issued to reset the GuardStopInputFault.

Probability of Dangerous Failure Per Hour

Safety-related systems are classified as operating in a High-demand/continuous mode. The SIL value for a High-demand/continuous mode safety-related system is directly related to the probability of a dangerous failure occurring per hour (PFH).

PFH calculation is based on the equations from IEC 61508 and show worst-case values. [Table 68](#) provides data for a 20-year proof test interval and demonstrates the worst-case effect of various configuration changes on the data.

IMPORTANT Determination of safety parameters is based on the assumptions that the system operates in High-demand mode and that the safety function is requested at least once every three months.

Table 68 - PFH for 20-year Proof Test Interval

Attribute	Value
PFH (1e-9)	0.35
Proof test (years)	20

Safe Torque-off Connector Data

The 10-pin connector consists of two parallel 5-pin rows for cascading safety connections from drive-to-drive in multi-axis configurations.

Figure 75 - Pin Orientation for 10-pin Safe Torque-off (STO) Connector

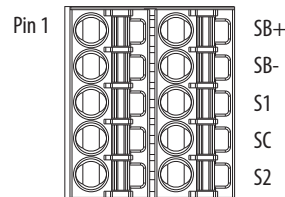


Table 69 - Safe Torque-off (STO) Connector Pinouts

STO Pin	Description	Signal
1	Safety bypass plus signal. Connect to both safety inputs to disable the STO function.	SB+
2	Safety bypass minus signal. Connect to safety common to disable the STO function.	SB-
3	STO input 1 (SS_IN_CH0).	S1
4	STO input common (SCOM).	SC
5	STO input 2 (SS_IN_CH1).	S2

Wire the Safe Torque-off Circuit

This section provides guidelines for wiring your Kinetix 5500 safe torque-off drive connections.

-
- IMPORTANT** The National Electrical Code and local electrical codes take precedence over the values and methods provided.
-
- IMPORTANT** To improve system performance, run wires and cables in the wireways as established in [Establishing Noise Zones](#) beginning on [page 44](#).
-
- IMPORTANT** Pins STO-1 and STO-5 (SB+ and SB-) are used to disable the safe torque-off function. When wiring to the STO connector, use an external 24V supply for the external safety device that triggers the safe torque-off request. To avoid jeopardizing system performance, do not use pin STO-1 as a power supply for the external safety device.
-

Safe Torque-off Wiring Requirements

The safe torque-off (STO) connector uses spring tension to secure the wire. Depress the tab, along side each pin, to insert or release the wire. Two rows of pins are provided for drive-to-drive connections. Wire must be copper with 75 °C (167 °F) minimum rating.

-
- IMPORTANT** Stranded wires must terminate with ferrules to prevent short circuits, per table D7 of ISO 13849-1.
-

Figure 76 - Safe Torque-off (STO) Terminal Plug

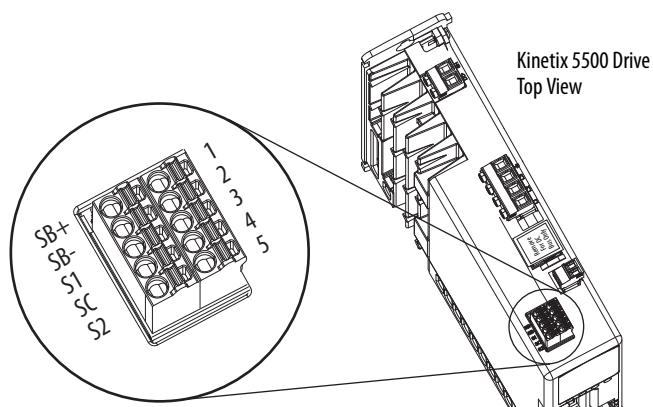


Table 70 - Safe Torque-off (STO) Terminal Plug Wiring

Safe Torque-off (STO) Connector		Recommended Wire Size mm ² (AWG)	Strip Length mm (in.)	Torque Value N·m (lb·in)
Pin	Signal			
STO-1	SB+	0.2...1.5 (24...16)	10 (0.39)	N/A ⁽¹⁾
STO-2	SB-			
STO-3	S1			
STO-4	S2			
STO-5	S2			

(1) This connector uses spring tension to hold the wires in place.

Safe Torque-off Feature

The safe torque-off circuit, when used with suitable safety components, provides protection according to ISO 13849-1 (PLd), Category 3 or according to IEC 61508, IEC 61800-5-2, and IEC 62061 (SIL CL2). All components in the system must be chosen and applied correctly to achieve the desired level of operator safeguarding.

The safe torque-off circuit is designed to safely turn off all of the output-power transistors. You can use the safe torque-off circuit in combination with other safety devices to achieve Stop Category 0 and protection-against-restart as specified in IEC 60204-1.



ATTENTION: This option is suitable only for performing mechanical work on the drive system or affected area of a machine. It does not provide electrical safety.



SHOCK HAZARD: In Safe Torque-off mode, hazardous voltages can still be present at the drive. To avoid an electric shock hazard, disconnect power to the system and verify that the voltage is zero before performing any work on the drive.



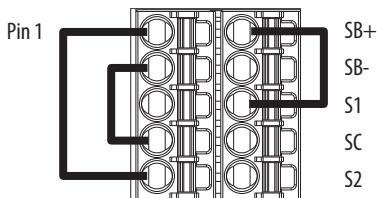
ATTENTION: Personnel responsible for the application of safety-related programmable electronic systems (PES) shall be aware of the safety requirements in the application of the system and shall be trained in using the system.

Safe Torque-off Feature Bypass

The 2198-Hxxx-ERS drives do not operate without a safety circuit or safety bypass wiring. For applications that do not require the safe torque-off feature you must install jumper wires to bypass the safe torque-off circuitry.

Each 2198-Hxxx-ERS drive includes one 10-pin wiring plug for wiring to safety devices. To bypass the safety function, wire these signals as shown in [Figure 77](#). With the jumper wires installed, the safe-off feature is not used.

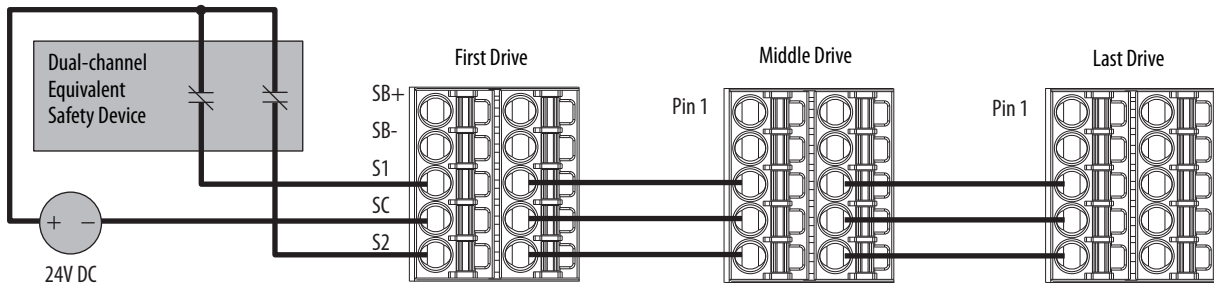
Figure 77 - Safe Torque-off Bypass Wiring



Cascade the Safe Torque-off Signal

The total number of drives in a single cascaded safety circuit is limited by the current carrying capacity of the cascaded safety wiring. Refer to [Table 71](#) for current rating per channel, per drive.

Figure 78 - Cascaded Safe Torque-off Wiring



Safe Torque-off Specifications

To maintain safety rating, Kinetix 5500 drives must be installed inside protected control panels or cabinets appropriate for the environmental conditions of the industrial location. The protection class of the panel or cabinet must be IP54 or higher.

Table 71 - Safe Torque-off Signal Specifications

Attribute		Value
Safety inputs (per channel)	Input current	< 10 mA
	Input ON voltage range	18...26.4V DC
	Input OFF voltage, max	5V DC
	Input ON current, per input, max	10 mA, each drive ⁽¹⁾
	Input OFF current, max (@ V in < 5V DC)	2 mA
	Pulse rejection width	700 μs
	External power supply	SELV/PELV
	Input type	Optically isolated and reverse voltage protected

(1) The maximum number of drives cascaded with safe torque-off wiring is 50.

For additional information regarding Allen-Bradley® safety products, including safety relays, light curtain, and gate interlock applications, refer to <https://ab.rockwellautomation.com/Safety>.

Kinetix 5500 Safe Torque-off - Integrated Safety

The 2198-Hxxx-ERS2 servo drives are equipped for integrated safe torque-off (STO). The integrated STO function meets the requirements of Performance Level e (PLe) and safety category 3 (CAT 3) per ISO 13849-1 and SIL 3 per IEC 61508, IEC 61800-5-2 and IEC 62061.

With integrated safety, the GuardLogix® 5570 or Compact GuardLogix 5570 safety controller issues the safe torque-off (STO) command over the EtherNet/IP™ network and the 2198-Hxxx-ERS2 servo drive executes the STO command.

Topic	Page
Certification	177
Description of Operation	179
Probability of Dangerous Failure Per Hour	181
Safe Torque-off Feature	181
Out-of-Box State	182
Understand Integrated Safety Drive Replacement	183
Replace an Integrated Safety Drive in a GuardLogix System	184
Motion Direct Commands in Motion Control Systems	186
Safe Torque-off Specifications	192
Safe Torque-off Specifications	192

Certification

The TÜV Rheinland group has approved 2198-Hxxx-ERS2 servo drives with integrated safe torque-off for use in safety-related applications up to ISO 13849-1, Performance Level e (PL e) and Category 3, SIL CL 3 per IEC 61508, IEC 61800-5-2, and IEC 62061, in which removing the motion producing power is considered to be the safe state.

For product certifications currently available from Rockwell Automation, go to website rok.auto/certifications.

Important Safety Considerations

The system user is responsible for the following:

- Validation of any sensors or actuators connected to the system
- Completing a machine-level risk assessment
- Certification of the machine to the desired ISO 13849-1 performance level or IEC 62061 SIL level
- Project management and proof testing performed in accordance with ISO 13849

Safety Application Requirements

Safety application requirements include evaluating probability of failure rates (PFH), system reaction time settings, and functional verification tests that fulfill SIL 3 criteria. Refer to [Probability of Dangerous Failure Per Hour](#) on [page 181](#) for more PFH information.

Creating, recording, and verifying the safety signature is also a required part of the safety application development process. Safety signatures are created by the safety controller. The safety signature consists of an identification number, date, and time that uniquely identifies the safety portion of a project. This includes all safety logic, data, and safety I/O configuration.

For safety system requirements, including information on the safety network number (SNN), verifying the safety signature, and functional verification tests refer to the GuardLogix 5570 Controller Systems Safety Reference Manual, publication [1756-RM099](#).

IMPORTANT You must read, understand, and fulfill the requirements detailed in publication [1756-RM099](#) prior to operating a safety system that uses a GuardLogix controller and 2198-Hxxx-ERS2 servo drive.

Category 3 Requirements According to ISO 13849

Safety-related parts are designed with these attributes:

- A single fault in any of these parts does not lead to the loss of the safety function.
- A single fault is detected whenever reasonably practicable.
- Accumulation of undetected faults can lead to the loss of the safety function and a failure to remove motion producing power from the motor.

Stop Category Definition

Stop Category 0 as defined in IEC 60204 or safe torque-off as defined by IEC 61800-5-2 is achieved with immediate removal of motion producing power to the actuator.

IMPORTANT In the event of a malfunction, the most likely stop category is Stop Category 0. When designing the machine application, timing and distance must be considered for a coast to stop. For more information regarding stop categories, refer to IEC 60204-1.

Performance Level (PL) and Safety Integrity Level (SIL)

For safety-related control systems, Performance Level (PL), according to ISO 13849-1, and SIL levels, according to IEC 61508 and IEC 62061, include a rating of the systems ability to perform its safety functions. All of the safety-related components of the control system must be included in both a risk assessment and the determination of the achieved levels.

Refer to the ISO 13849-1, IEC 61508, and IEC 62061 standards for complete information on requirements for PL and SIL determination.

Description of Operation

The safe torque-off (STO) feature provides a method, with sufficiently low probability of failure, to force the power-transistor control signals to a disabled state. When the command to execute the STO function is received from the GuardLogix controller, all of the drive output-power transistors are released from the ON-state. This results in a condition where the drive is coasting. Disabling the power transistor output does not provide mechanical isolation of the electrical output that is required for some applications.

The 2198-Hxxx-ERS2 drive STO function response time is less than 10 ms. Response time is the delay between the time the drive STO function receives the integrated safety packet with an STO request and the time when motion producing power is removed from the motor.

STO State Reset

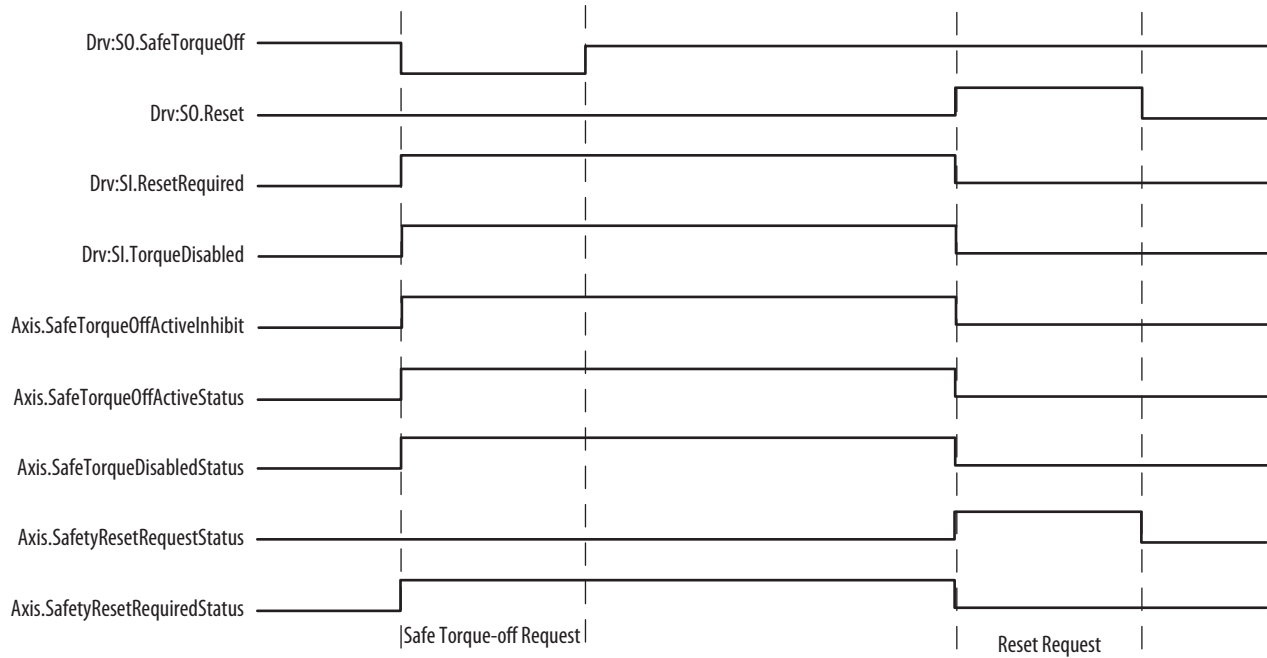
The 2198-Hxxx-ERS2 servo drives support both manual and automatic restart types for exiting the STO state.

- Manual restart indicates a transition from 0 to 1 on the SO.Reset tag is required to allow torque after the SO.SafeTorqueOff tag has transitioned from 0 to 1.
- Automatic restart indicates torque will be allowed only by transitioning the SO.SafeTorqueOff tag from 0 to 1. The SO.Reset tag is used only for resetting safety faults.

IMPORTANT 2198-Hxxx-ERS2 servo drives enter the STO state if any STO function fault is detected.

Refer to [Figure 79](#) for an understanding of the 2198-Hxxx-ERS2 STO-state manual restart functionality.

Figure 79 - Kinetix 5500 STO Timing Diagram - Manual Restart



Fault Codes

For Kinetix 5500 fault codes and descriptions, see the Knowledgebase Answer ID: [1091726](#).

Probability of Dangerous Failure Per Hour

Safety-related systems are classified as operating in a High-demand/continuous mode. The SIL value for a High-demand/continuous mode safety-related system is directly related to the probability of a dangerous failure occurring per hour (PFH).

PFH calculation is based on the equations from IEC 61508 and show worst-case values. [Table 72](#) provides data for a 20-year proof test interval and demonstrates the worst-case effect of various configuration changes on the data.

IMPORTANT Determination of safety parameters is based on the assumptions that the system operates in High-demand mode and that the safety function is requested at least once every three months.

Table 72 - PFH for 20-year Proof Test Interval

Attribute	Value
PFH (1e-9)	1.54
Proof test (years)	20

Safe Torque-off Feature

The safe torque-off feature, when used with suitable safety components, provides protection according to ISO 13849-1 (PL_e), Category 3 or according to IEC 61508, IEC 61800-5-2, and IEC 62061 (SIL CL3). All components in the system must be chosen and applied correctly to achieve the desired level of operator safeguarding.

The safe torque-off feature is designed to safely turn off all of the output power transistors. You can use the safe torque-off feature in combination with other safety devices to achieve Stop Category 0 and protection-against-restart as specified in IEC 60204-1.



ATTENTION: This option is designed to restrict motion producing power on the drive system or affected area of a machine. It does not provide electrical safety.



SHOCK HAZARD: In Safe Torque-off mode, hazardous voltages can still be present at the drive. To avoid an electric shock hazard, disconnect power to the system and verify that the voltage is zero before performing any work on the drive.



ATTENTION: Personnel responsible for the application of safety-related programmable electronic systems (PES) shall be aware of the safety requirements in the application of the system and shall be trained in using the system.

Out-of-Box State

The 2198-Hxxx-ERS2 servo drives ship in the out-of-box state.



ATTENTION: In the out-of-box state, motion producing power is allowed by the safe torque-off (STO) function unless an integrated safety connection configuration has been applied to the drive at least once.

In the out-of-box state, you can configure 2198-Hxxx-ERS2 servo drives:

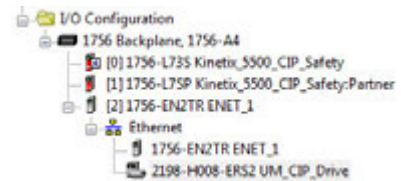
- Without a GuardLogix 5570 safety controller for a non-safety application.
- With a GuardLogix 5570 safety controller when the safe torque-off (STO) function is not required.

Out-of-Box State Support

After the integrated safety connection configuration is applied to the 2198-Hxxx-ERS2 servo drive at least once, you can restore the drive to the out-of-box state.

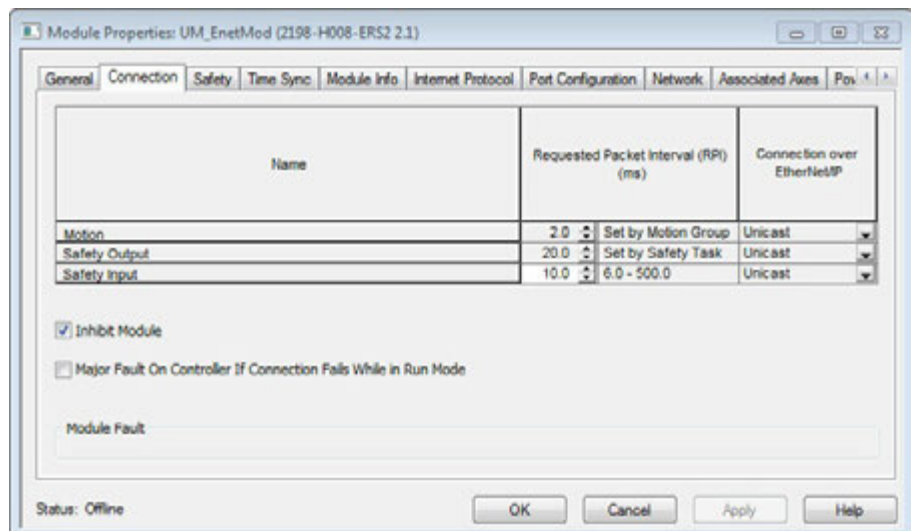
Follow these steps to restore your 2198-Hxxx-ERS2 servo drive to the out-of-box state.

1. Right-click the 2198-Hxxx-ERS2 servo drive you created and choose Properties.



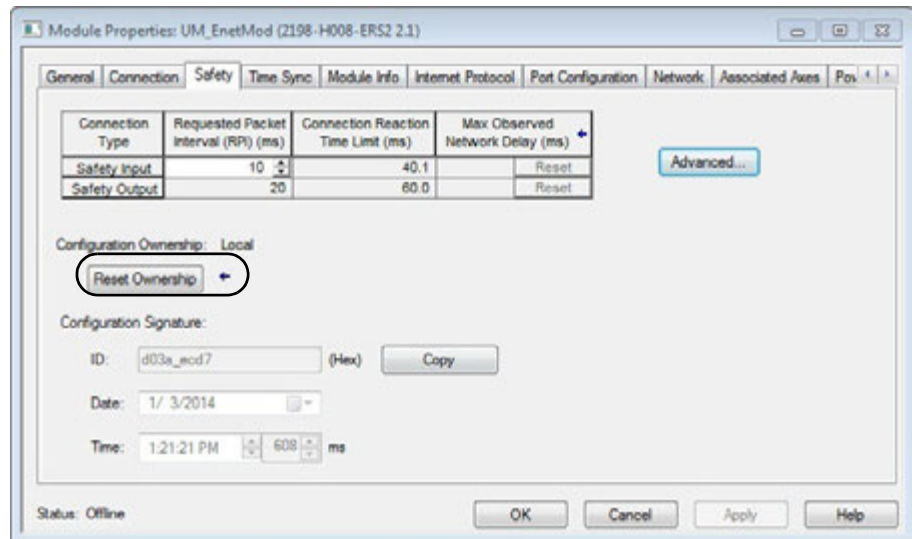
2. Click the Connection tab.

The Connection tab appears.



3. Check Inhibit Module.
4. Click Apply and click the Safety tab.

The Safety tab appears.



- In the Configuration Ownership field, click Reset Ownership.

IMPORTANT Only authorized personnel should attempt Reset Ownership.

If any active connection is detected, the reset is rejected.

- Cycle drive power.

The drive is in the out-of-box state.

IMPORTANT If power to the drive is not cycled after [step 5](#), the drive does not transition to the out-of-box state and maintains STO function.

IMPORTANT When the drive returns to the out-of-box state, STO safety integrity is lost.

Understand Integrated Safety Drive Replacement

GuardLogix controllers retain I/O device configuration on-board and are able to download the configuration to the replacement device.

IMPORTANT If a 2198-Hxxx-ERS2 servo drive was used previously, clear the existing configuration before installing it on a safety network by resetting the drive to its out-of-box condition. To see how this is done, refer to [Out-of-Box State Support](#) on [page 182](#).

Replacing a 2198-Hxxx-ERS2 servo drive that sits on an integrated safety network is more complicated than replacing standard devices because of the safety network number (SNN).

The device number and SNN make up the safety device's DeviceID. Safety devices require this more complex identifier to make sure that duplicate device numbers do not compromise communication between the correct safety devices. The SNN is also used to provide integrity on the initial download to the 2198-Hxxx-ERS2 servo drive.

When the Logix Designer application is online, the Safety tab of the Module Properties dialog box displays the current configuration ownership. When the opened project owns the configuration, Local is displayed.

Configuration Ownership: Local

Communication error is displayed if the module read fails. Refer to [Replace an Integrated Safety Drive in a GuardLogix System](#) on page 184 for integrated safety drive replacement information.

Replace an Integrated Safety Drive in a GuardLogix System

When you replace an integrated safety drive, the replacement device must be configured properly and the replacement drives operation be user-verified.

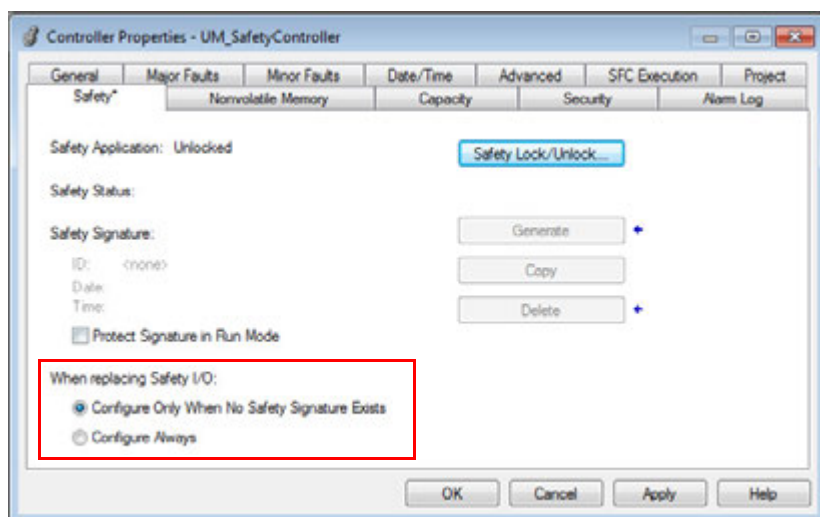


ATTENTION: During drive replacement or functional test, the safety of the system must not rely on any portion of the affected drive.

Two options for safety drive replacement are available on the Safety tab of the Controller Properties dialog box in the Logix Designer application:

- Configure Only When No Safety Signature Exists
- Configure Always

Figure 80 - Safety Drive Replacement Options



Configure Only When No Safety Signature Exists

This setting instructs the GuardLogix controller to automatically configure a safety drive only when the safety task does not have a safety task signature, and the replacement drive is in an out-of-box condition, meaning that a safety network number does not exist in the safety drive.

If the safety task has a safety task signature, the GuardLogix controller automatically configures the replacement CIP Safety™ I/O device only if the following is true:

- The device already has the correct safety network number.
- The device electronic keying is correct.
- The node or IP address is correct.

For detailed information, see the GuardLogix 5570 Controllers User Manual, publication [1756-UM022](#) or Compact GuardLogix 5370 Controllers User Manual, publication [1769-UM022](#).

Configure Always

When the Configure Always feature is enabled, the controller automatically checks for and connects to a replacement drive that meets all of the following requirements:

- The controller has configuration data for a compatible drive at that network address
- The drive is in Hardwired STO mode or has an SNN that matches the configuration



ATTENTION: Enable the Configure Always feature only if the entire integrated safety control system is not being relied on to maintain SIL 3 behavior during the replacement and functional testing of a Kinetix 5500 drive. Do not place drives that are in Hardwired STO mode on an integrated safety network when the Configure Always feature is enabled.

If other parts of the integrated safety control system are being relied upon to maintain SIL 3, make sure that the controller's Configure Always feature is disabled.

It is your responsibility to implement a process to make sure proper safety functionality is maintained during device replacement.



ATTENTION: Do not place any devices in the out-of-box condition on any integrated safety network when the Configure Always feature is enabled, except while following the device replacement procedure in the GuardLogix user manual appropriate for your Logix 5000™ controller:

- GuardLogix 5570 Controllers User Manual, publication [1756-UM022](#)
- Compact GuardLogix 5370 Controllers User Manual, publication [1769-UM022](#).

Motion Direct Commands in Motion Control Systems

You can use the Motion Direct Command (MDC) feature to initiate motion while the controller is in Program mode, independent of application code that is executed in Run mode. These commands let you do a variety of functions, for example, move an axis, jog an axis, or home an axis.

A typical use might involve a machine integrator testing different parts of the motion system while the machine is being commissioned or a maintenance engineer, under certain restricted scenarios in accordance with safe machine operating procedures, wanting to move an axis (like a conveyor) to clear a jam before resuming normal operation.



ATTENTION: To avoid personal injury or damage to equipment, follow these rules regarding Run mode and Program mode.

- Only authorized, trained personnel with knowledge of safe machine operation should be allowed to use Motion Direct Commands
 - Additional supervisory methods, like removing the controller key switch, should be used to maintain the safety integrity of the system after returning the safety controller to RUN mode
-

Understand STO Bypass When Using Motion Direct Commands

If a Safety-only connection between the GuardLogix safety controller and the 2198-Hxxx-ERS2 servo drive was established at least once after the drive was received from the factory, the drive does not allow motion while the safety controller is in Program mode by default.

This is because the safety task is not executed while the GuardLogix safety controller is in Program mode. This applies to applications running in a single-safety controller (with Motion and Safety connections). When an integrated safety drive has a Motion connection to a standard controller and a separate Safety connection to a dual-safety controller, the standard controller can transition to Program mode while the safety controller stays in Run mode and continues to execute the safety task.

However, 2198-Hxxx-ERS2 drive systems are designed with a bypass feature for the STO function in single-safety controller configurations. You can use the MDC feature to allow motion while following all the necessary and prescribed steps per machine safety operating procedures.



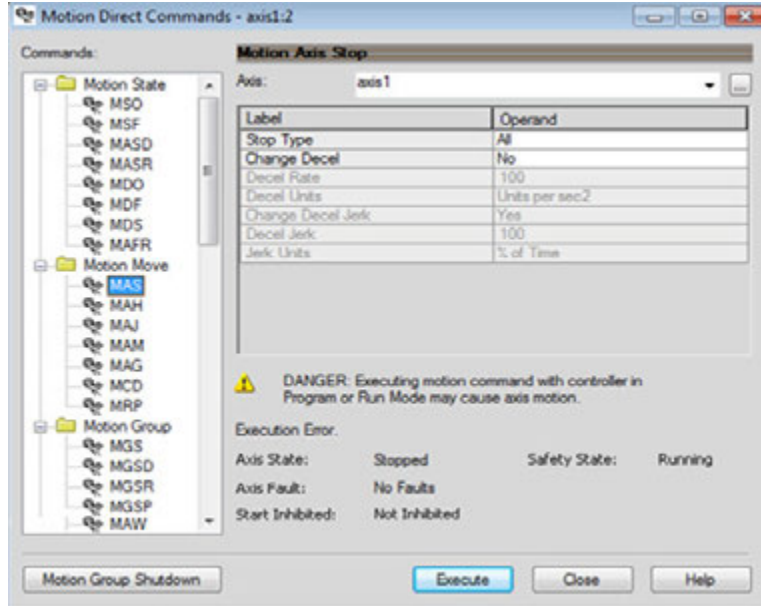
ATTENTION: Consider the consequences of allowing motion through the use of MDC when the controller is in Program mode. You must acknowledge warning messages in the Logix Designer application that warn of the drive bypassing the STO function and unintended motion can occur. The integrated safety drive does not respond to the request of STO function if MDC mode is entered.

ATTENTION: It is your responsibility to maintain machine safety integrity while executing motion direct commands. One alternative is to provide ladder logic for Machine Maintenance mode that leaves the controller in Run mode with safety functions executing.

Logix Designer Application Warning Messages

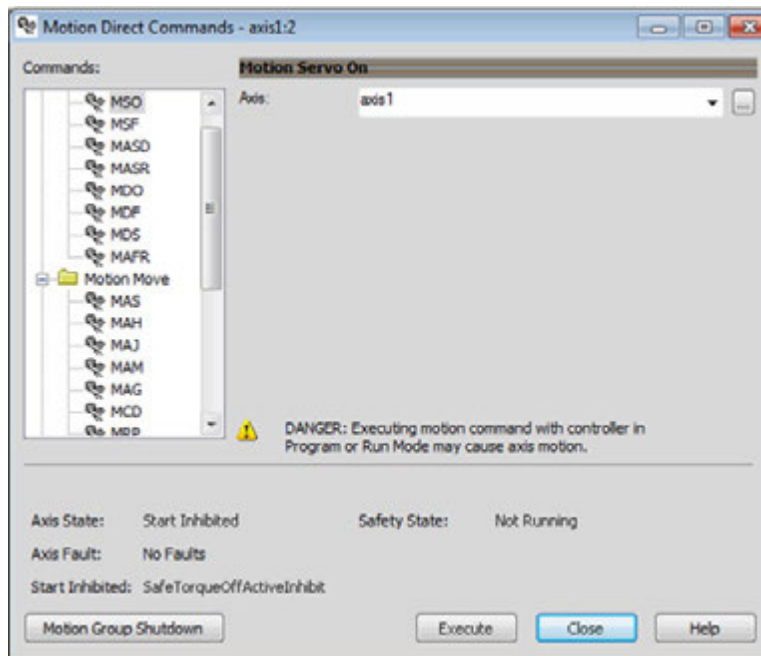
When the controller is in Run mode, executing safety functions, the 2198-Hxxx-ERS2 drive follows the commands that it receives from the safety controller. Safety state = Running, Axis state = Stopped/Running, as shown in [Figure 81](#).

Figure 81 - Safety State Indications When Controller is in Run Mode (safety task executing)



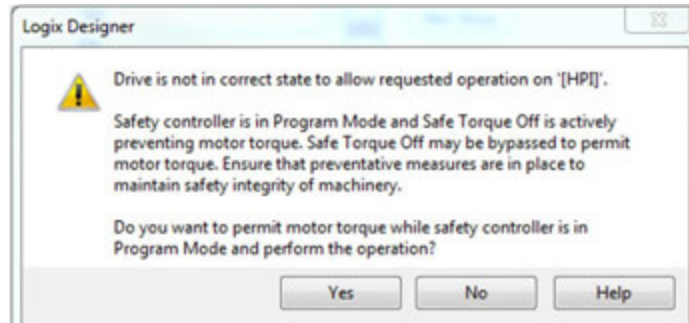
When the controller transitions to Program mode, the integrated safety drive is in the safe state (torque not permitted). Safety state = Not Running, Axis state = Start Inhibited, as shown in [Figure 82](#).

Figure 82 - Safety State Indications After Controller Transitions to Program Mode



When you issue a motion direct command to an axis to produce torque in Program mode, for example MSO or MDS, with the safety connection present to the drive, a warning message is presented before the motion direct command is executed, as shown in [Figure 83](#).

Figure 83 - STO Bypass Prompt When the Safety Controller is in Program Mode

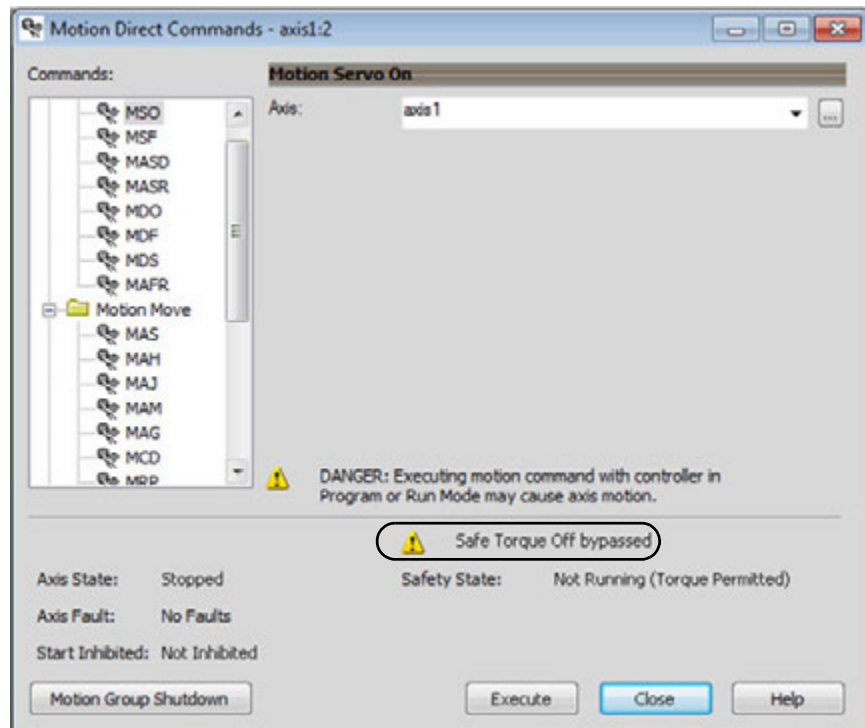


The warning in [Figure 83](#) is displayed the first time a motion direct command is issued.

After you acknowledge the warning message by clicking Yes, torque is permitted by the drive and a warning message is indicated in the software as shown in [Figure 84](#). Safety state = Not Running (torque permitted), Axis state = Stopped/Running, Persistent Warning = Safe Torque Off Bypassed.

IMPORTANT Switch the controller to Run mode to exit Motion Direct Command mode with STO function bypassed.

Figure 84 - Safety State Indications After Controller Transitions to Program Mode (MDC executing)



IMPORTANT The persistent warning message text Safe Torque Off bypassed appears when a motion direct command is executed.

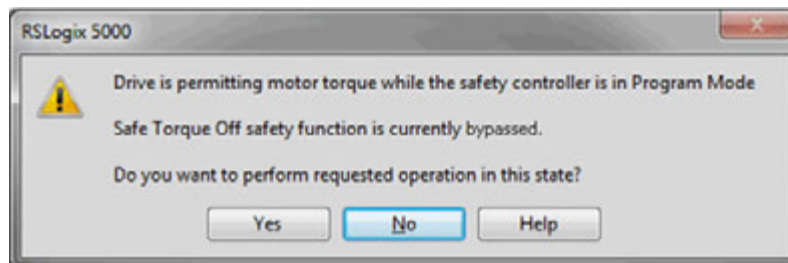
Warning message persists even after the dialog is closed and reopened as long as the integrated safety drive is in STO Bypass mode.

The persistent warning message is removed only after the integrated safety drive is restored to the Safe state.

Torque Permitted in a Multi-workstation Environment

The warning in [Figure 85](#) is displayed to notify a second user working in a multi-workstation environment that the first user has placed the integrated safety drive in the STO state and that the current action is about to bypass the STO state and permit torque.

Figure 85 - STO Bypass Prompt When MDC is Issued in Multi-workstation Environment



Warning Icon and Text in Axis Properties

In addition to the other warnings that require your acknowledgment, the Logix Designer application also provides warning icons and persistent warning messages in other Axis Properties dialog boxes when the integrated safety drive is in STO Bypass mode.

Figure 86 - Axis and Safe State Indications on the Hookup Services Dialog Box

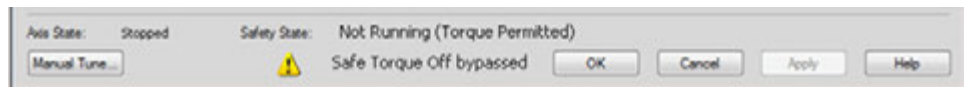


Figure 87 - Axis and Safe State Indications on Motion Direct Commands Dialog Box

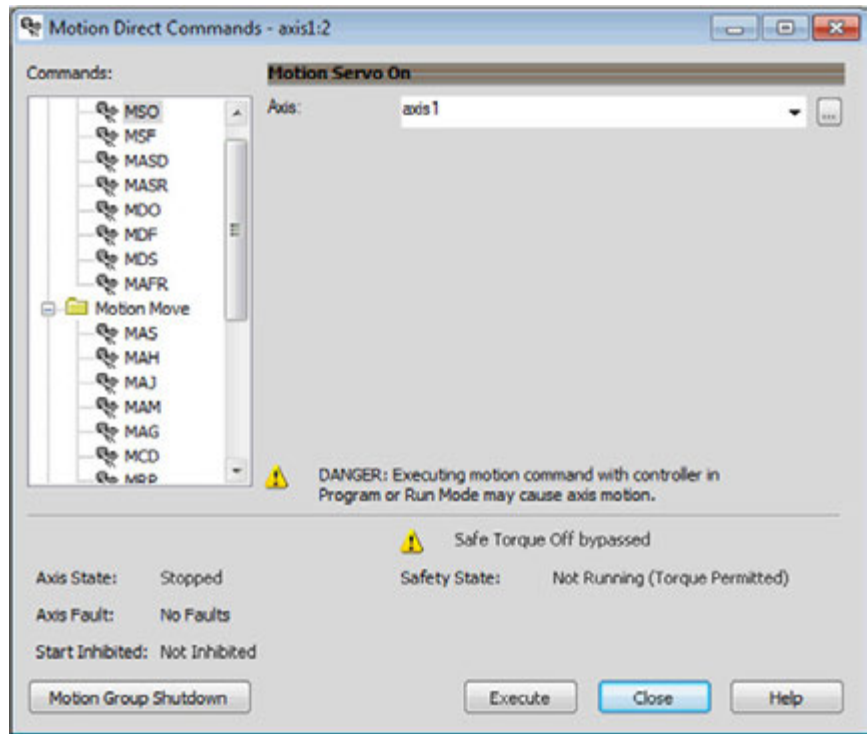
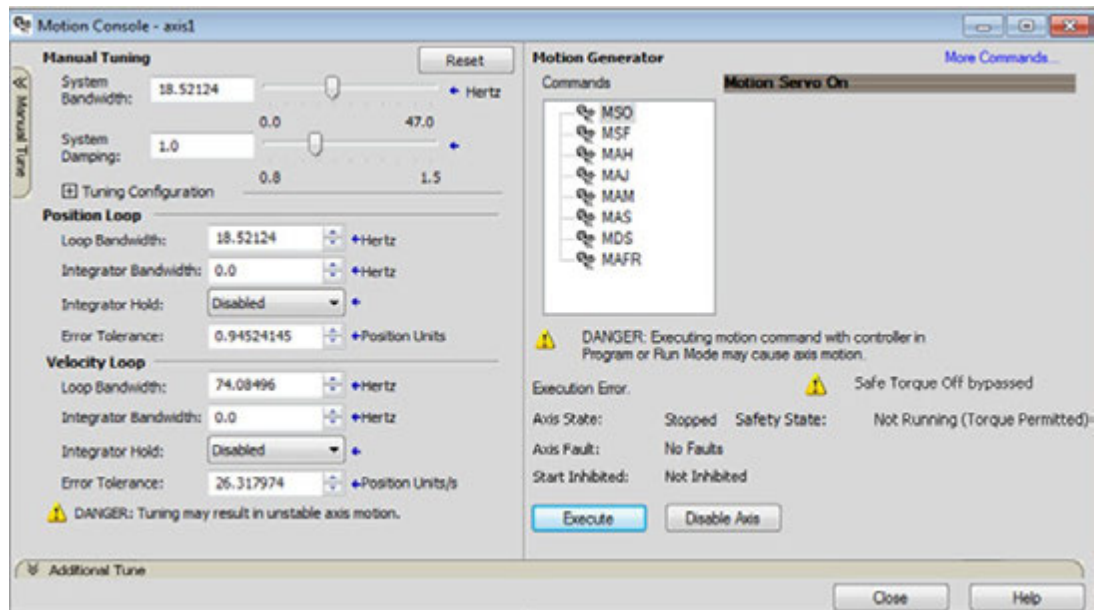


Figure 88 - Axis and Safe State Indications on the Motion Console Dialog Box



Functional Safety Considerations



ATTENTION: Before maintenance work can be performed in Program mode, the developer of the application must consider the implications of allowing motion through motion direct commands and should consider developing logic for run-time maintenance operations to meet the requirements of machine safety operating procedures.



ATTENTION: Motion is allowed when motion direct commands are used in Program mode and STO function is not available. Motion direct commands issued when the controller is in Program mode causes the drive to bypass the STO Active condition. It is your responsibility to implement additional preventive measures to maintain safety integrity of the machinery during execution of motion direct commands in Program mode.



ATTENTION: To avoid personal injury and damage to equipment in the event of unauthorized access or unexpected motion during authorized access, return the controller to RUN mode and remove the key before leaving the machine unattended.

Safe Torque-off Specifications

To maintain safety rating, Kinetix 5500 drives must be installed inside protected control panels or cabinets appropriate for the environmental conditions of the industrial location. The protection class of the panel or cabinet must be IP54 or higher.

Table 73 - Safe Torque-off Network Specifications

Attribute	Value	Logix Designer Tag Name
Safety connection RPI, min	6 ms	N/A
Input assembly connections	3	N/A
Output assembly connections	1	N/A
Integrated safety open request support	Type 1 and Type 2 requests	N/A
Axis safety status	Bit 0: Safety fault	Axis.SafetyFaultStatus
	Bit 1: Safety reset request	Axis.SafetyResetRequestStatus
	Bit 2: Safety Reset Required	Axis.SafetyResetRequiredStatus
	Bit 3: Safe torque-off active	Axis.SafeTorqueOffActiveStatus
	Bit 4: Safe torque disabled	Axis.SafeTorqueDisabledStatus
	Bit 5 . . . 31: Undefined (0)	N/A
Axis safety faults	Bit 1: Safety core fault	Axis.SafetyCoreFault
	Bit 3: Safe torque-off fault	Axis.SafeTorqueOffFault
	All others: Undefined (0)	N/A

Table 74 - Safe Torque-off Assembly Specifications

Attribute	Instance Attribute	Value	Logix Designer Tag Name
Safety input assembly	0X1A0	Bit 0: Torque disabled	Drv:SI.TorqueDisabled
		Bit 6: Safety fault	Drv:SI.SafetyFault
		Bit 7: Reset required	Drv:SI.ResetRequired
Safety output assembly	0X180	Bit 0: Safe torque-off output	Drv:SO.SafeTorqueOff
		Bit 7: Reset request	Drv:SO.Reset

Interconnect Diagrams

This appendix provides wiring examples and system block diagrams for your Kinetix® 5500 system components.

Topic	Page
Interconnect Diagram Notes	193
Power Wiring Examples	194
Bus-sharing Wiring Examples	196
Shunt Resistor Wiring Example	198
Kinetix 5500 Servo Drive and Rotary Motor Wiring Examples	199
Kinetix 5500 Drive and Linear Actuator Wiring Examples	201
System Block Diagrams	205

Interconnect Diagram Notes

This appendix provides wiring examples to assist you in wiring the Kinetix 5500 drive system. These notes apply to the wiring examples on the pages that follow.

Table 75 - Interconnect Diagram Notes


Note	Information
1	For power wiring specifications, refer to Wiring Requirements on page 82 .
2	For input fuse and circuit breaker sizes, refer to Circuit Breaker/Fuse Selection on page 34 .
3	AC (EMC) line filter is required for EMC compliance. Place line filter as close to the drive as possible and do not route very dirty wires in wireway. If routing in wireway is unavoidable, use shielded cable with shields grounded to the drive chassis and filter case. For AC line filter specifications, refer to Kinetix Servo Drives Specifications Technical Data, publication KNX-TD003 .
4	Terminal block is required to make connections.
5	Cable shield clamp must be used to meet CE requirements.
6	PE ground connection bonded to the panel must be used to meet CE requirements.
7	DC connector covered with protective knockout is default configuration. Remove knockout to insert DC bus T-connector and bus-bars. Do not attach discrete wiring to the DC bus terminals is.
8	Internal shunt wired to the RC connector is default configuration. Remove internal shunt wires to attach external shunt wires.
9	Default configuration for ground screws is for grounded power at user site. For ungrounded or corner-grounded power, remove the screws. Refer to Determine the Input Power Configuration on page 75 for more information.
10	 ATTENTION: Implementation of safety circuits and risk assessment is the responsibility of the machine builder. Please reference international standards ISO 14121-1 and ISO 13849-1 estimation and safety performance categories. For more information refer to Understanding the Machinery Directive , publication SHB-900 .
11	For motor cable specifications, refer to Kinetix Motion Accessories Specifications Technical Data, publication KNX-TD004 .
12	Kinetix motor catalog numbers: MPL-A15xx...MPL-A45xx, MPM-A115xx...MPM-A130xx, MPF-A3xx...MPF-A45xx, MPS-Axxx, MPAR-Axxx, MPAS-Axxx, and LDAT-Sxx-xBx encoders use the +5V DC supply.

Table 75 - Interconnect Diagram Notes (continued)

Note	Information
13	Kinetix motor catalog numbers: MPL-Bxx, MPL-A5xx, MPM-Bxx, MPM-A165xx... MPM-A215xx, MPF-Bxx, MPF-A5xx, MPS-Bxxx, MPAR-Bxxx, MPAS-Bxxx, and LDAT-Sxx-xDx encoders use the +9V DC supply.
14	Brake connector pins are labeled plus (+) and minus (-) or F and G respectively. Power connector pins are labeled U, V, W, and $\underline{\text{GND}}$ (GND) or A, B, C, and $\underline{\text{D}}$ (D) respectively.
15	LDAT-Series linear thrusters do not have a brake option, so only the 2090-CPWM7DF-xxAAxx or 2090-CPWM7DF-xxAFxx motor power cables apply.

Power Wiring Examples

You must supply input power components. The single-phase and three-phase line filters are wired downstream of the circuit protection.

Single-axis Drive Wiring Examples

Figure 89 - Kinetix 5500 Drives Power Wiring (three-phase operation)

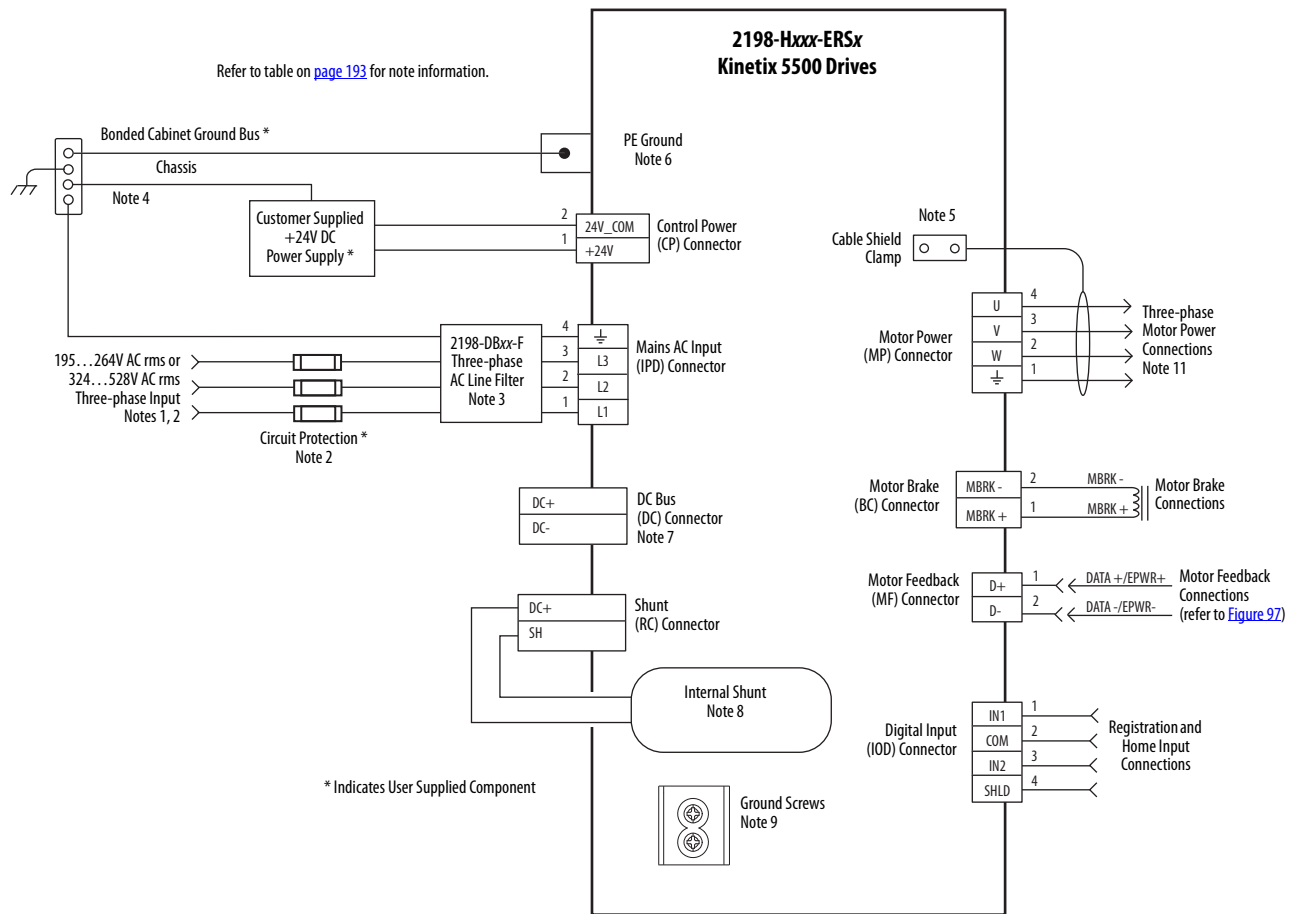


Figure 90 - Kinetix 5500 Drives Power Wiring (single-phase operation)

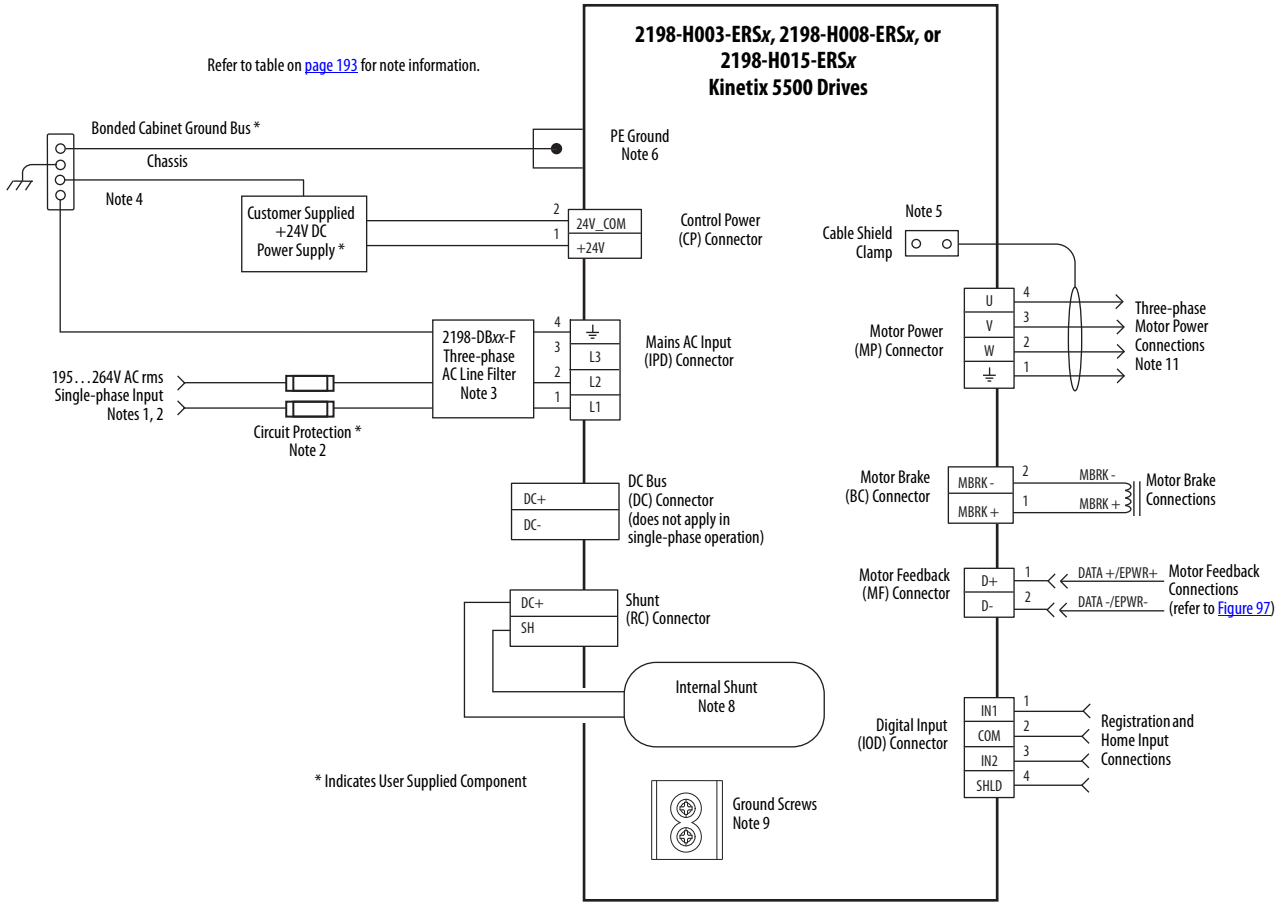
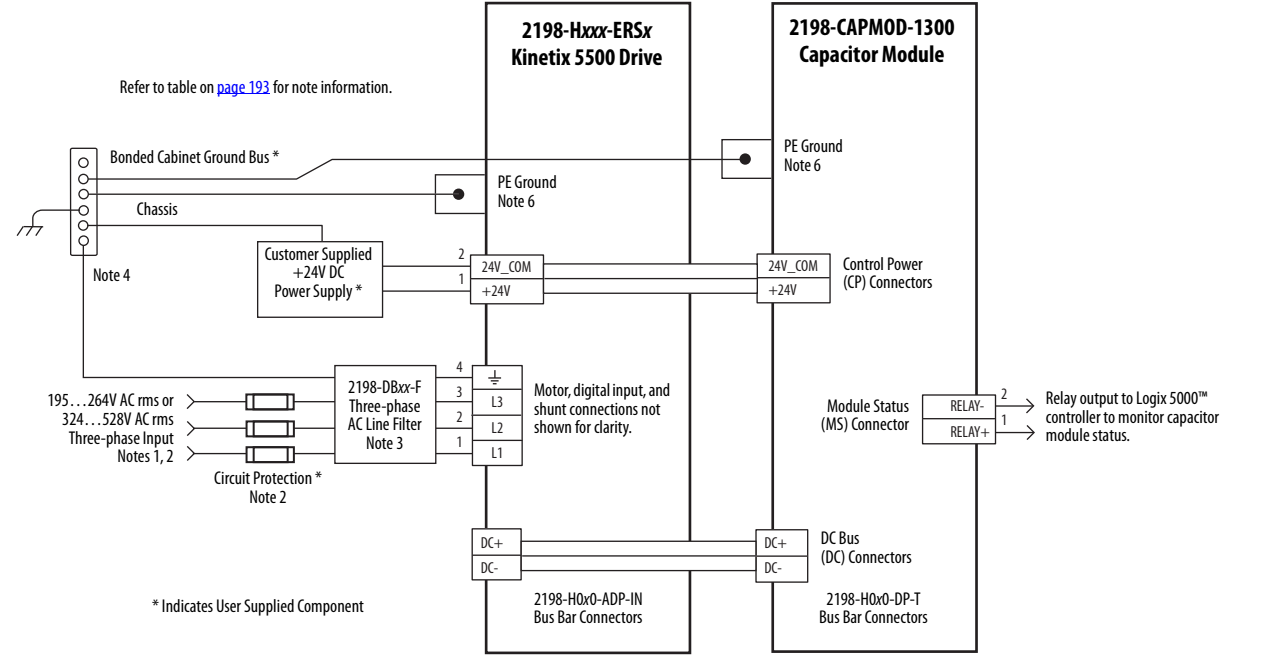


Figure 91 - Kinetix 5500 Capacitor Module



Bus-sharing Wiring Examples

For bus-sharing configurations, use the 2198-H0x0-xx-x shared-bus connection system to extend power from drive to drive.

Figure 92 - Kinetix 5500 Drives with Shared AC Bus

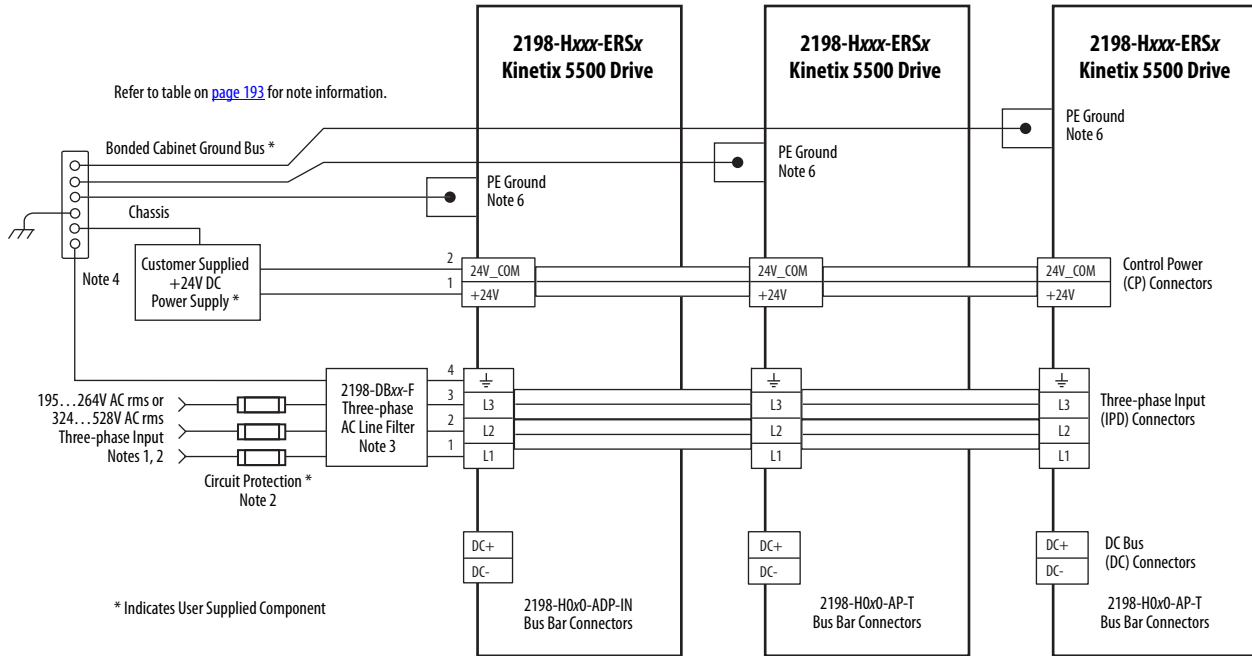


Figure 93 - Kinetix 5500 Drives with Shared AC/DC Bus

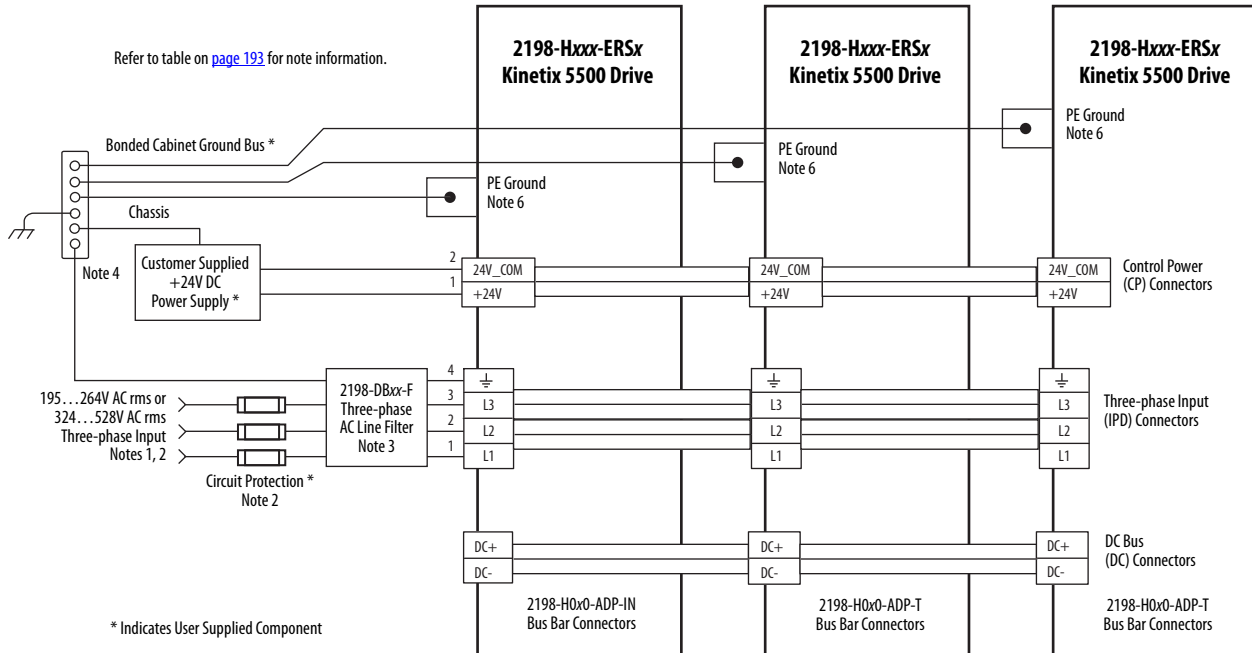


Figure 94 - Kinetix 5500 Drives with Shared DC (common bus)

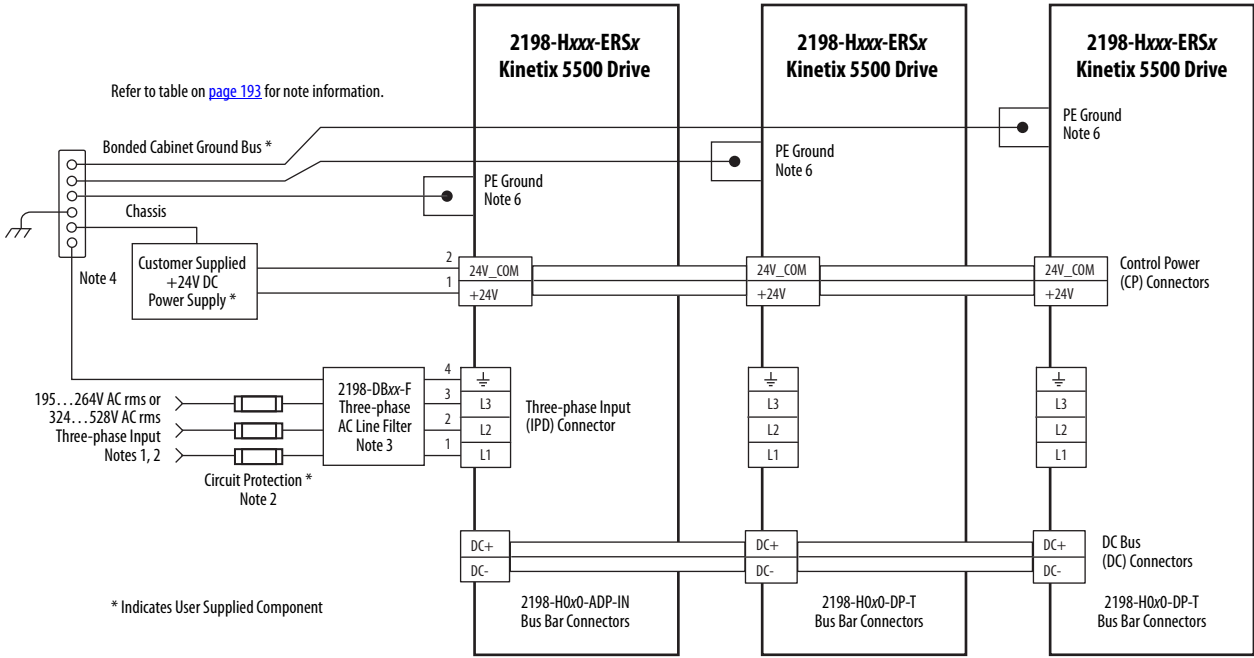
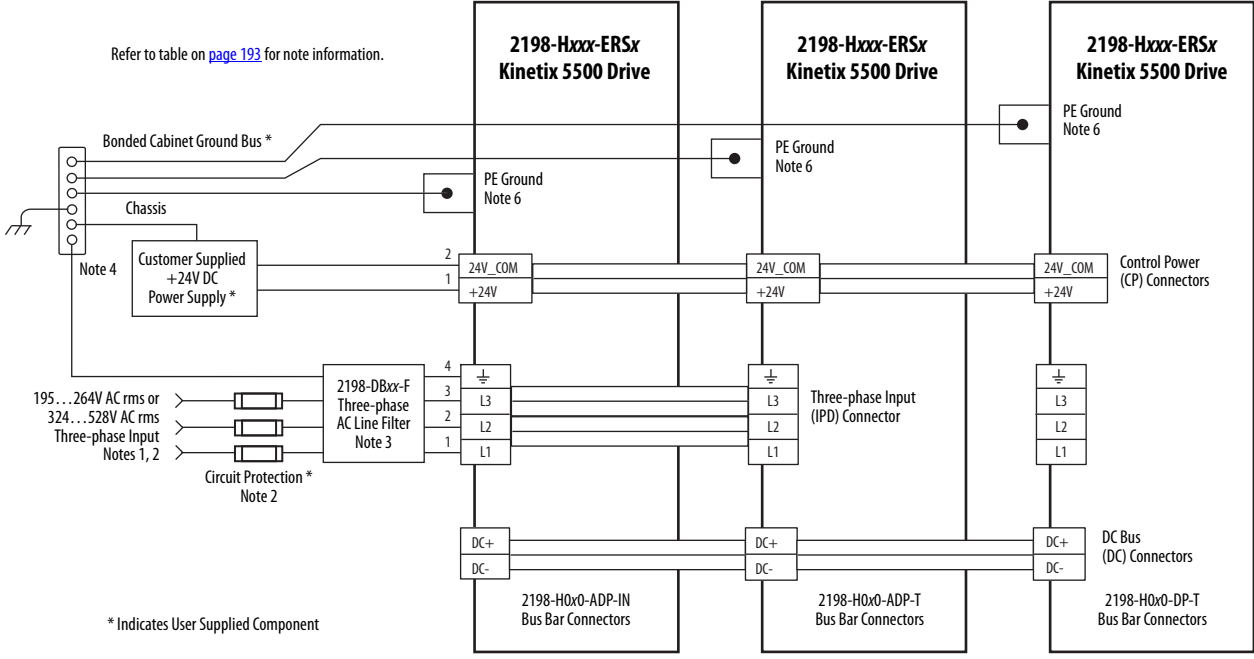


Figure 95 - Kinetix 5500 Drives with Shared AC/DC Hybrid Bus

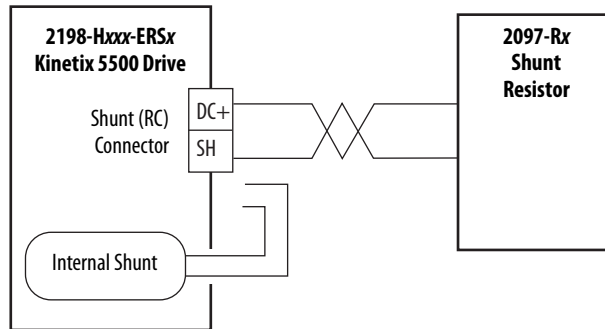


Shunt Resistor Wiring Example

Refer to the [External Passive-shunt Resistor Connections](#) on [page 105](#) for the Bulletin 2097 external shunt resistor catalog numbers available for Kinetix 5500 servo drives.

IMPORTANT Before wiring the Bulletin 2097 external shunt to the RC connector, remove the wires from the servo drive internal shunt. Do not connect internal and external shunt resistors to the drive.

Figure 96 - Shunt Resistor Wiring Example

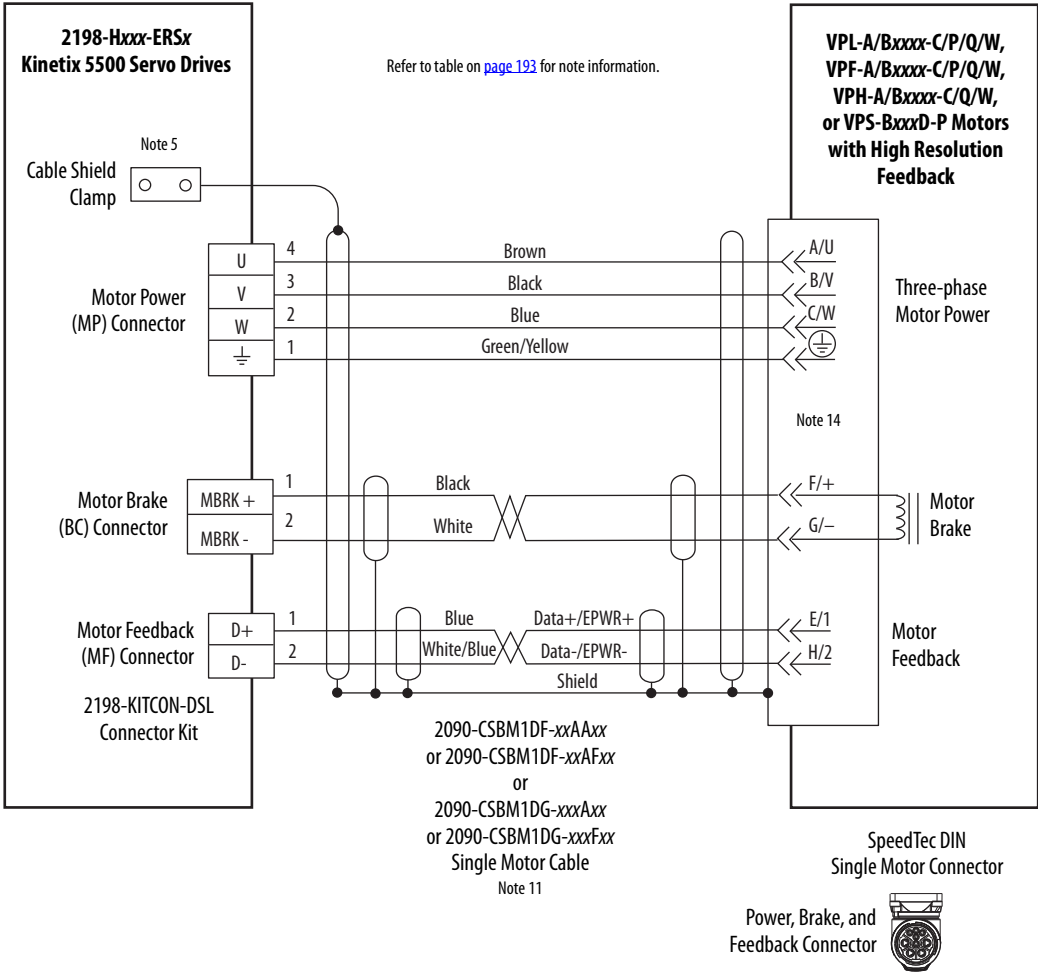


Refer to the Kinetix 300 Shunt Resistor Installation Instructions, publication [2097-IN002](#), for shunt resistor installation instructions.

Kinetix 5500 Servo Drive and Rotary Motor Wiring Examples

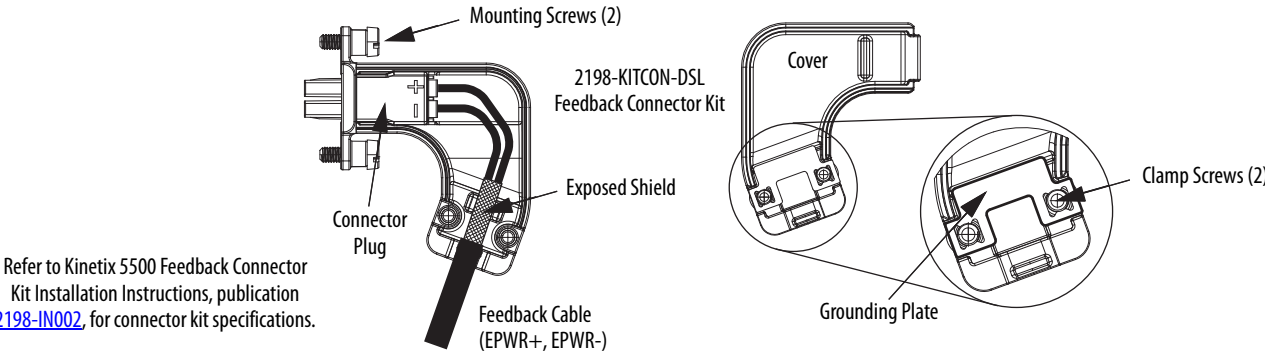
These compatible Kinetix VP rotary motors use single cable technology. The motor power, brake, and feedback wires are all packaged in a single cable.

Figure 97 - Kinetix 5500 Drives with Kinetix VPL, VPF, VPH, and VPS Motors



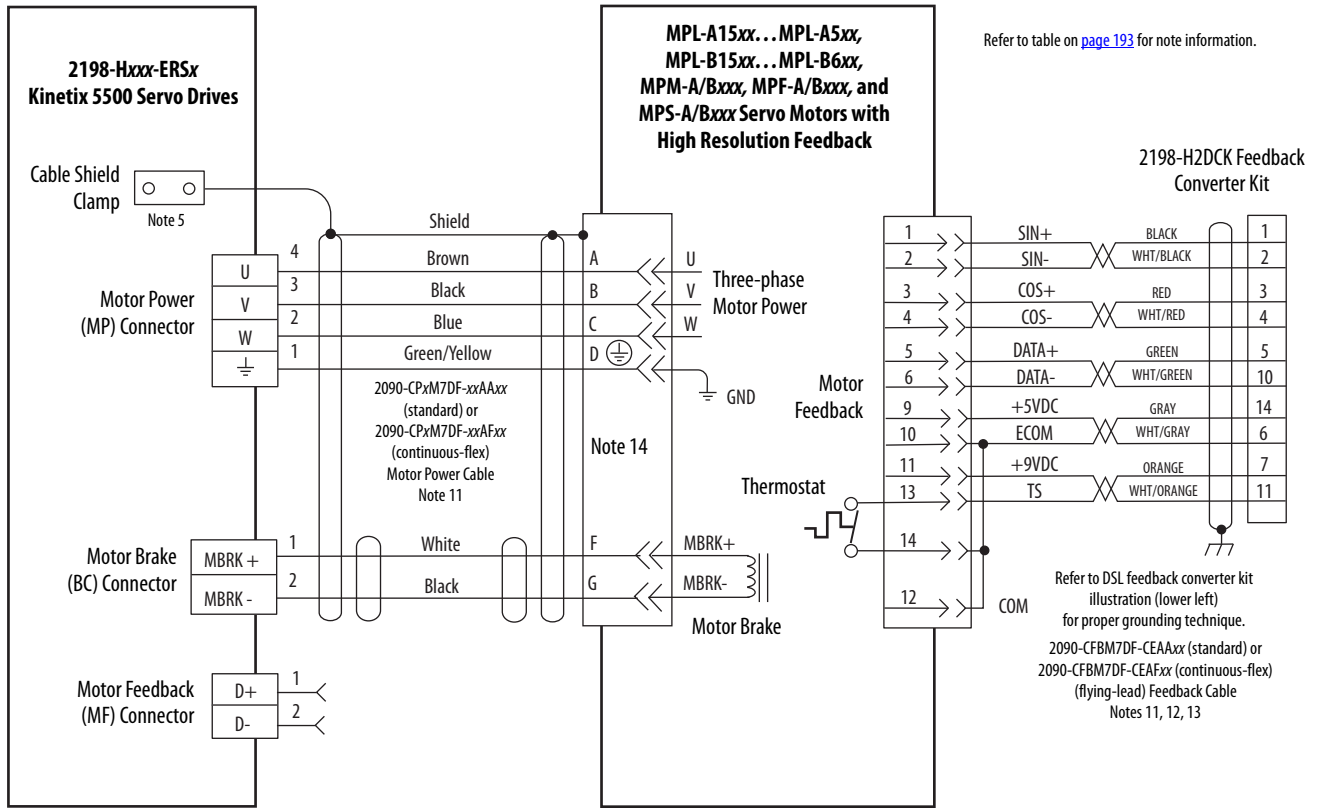
2090-CSxM1DF single cables have flying-lead conductors designed specifically for Kinetix 5500 servo drives. 2090-CSxM1DG cables have flying-leads that are longer than 2090-CSxM1DF cables to accommodate Kinetix 5500 or Kinetix 5700 servo drives.

Figure 98 - Grounding Technique for Feedback Cable Shield

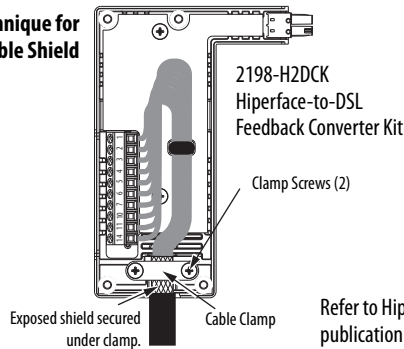


These compatible Kinetix MP rotary motors have separate connectors and cables for power/brake and feedback connections.

Figure 99 - Kinetix 5500 with Kinetix MP Rotary Motors



Grounding Technique for Feedback Cable Shield



Refer to Hiperface to DSL Feedback Converter Kit Installation Instructions, publication [2198-IN006](#), for converter kit specifications.

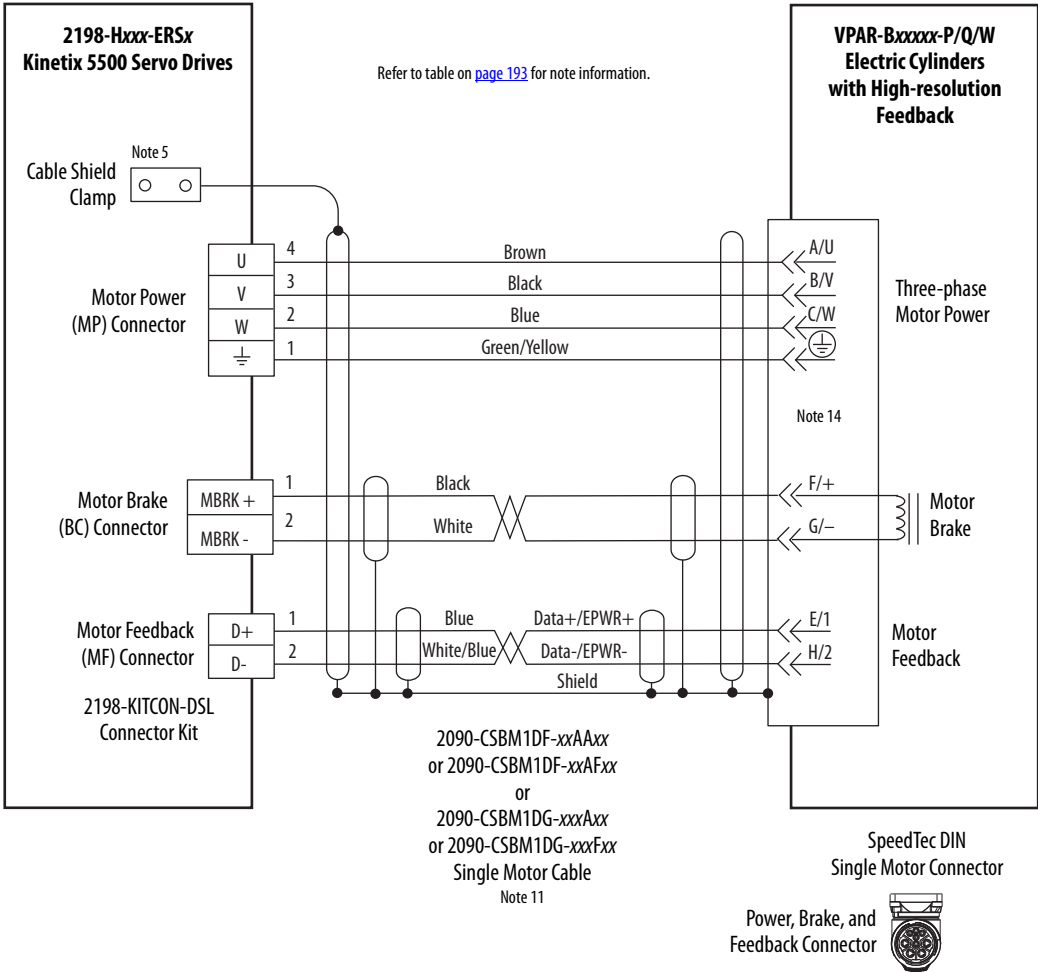
SpeedTec DIN Motor Connectors



Kinetix 5500 Drive and Linear Actuator Wiring Examples

These Kinetix VPAR linear actuators use single cable technology. The motor power, brake, and feedback wires are all packaged in a single cable.

Figure 100 - Kinetix 5700 Drives with Kinetix VPAR Electric Cylinders

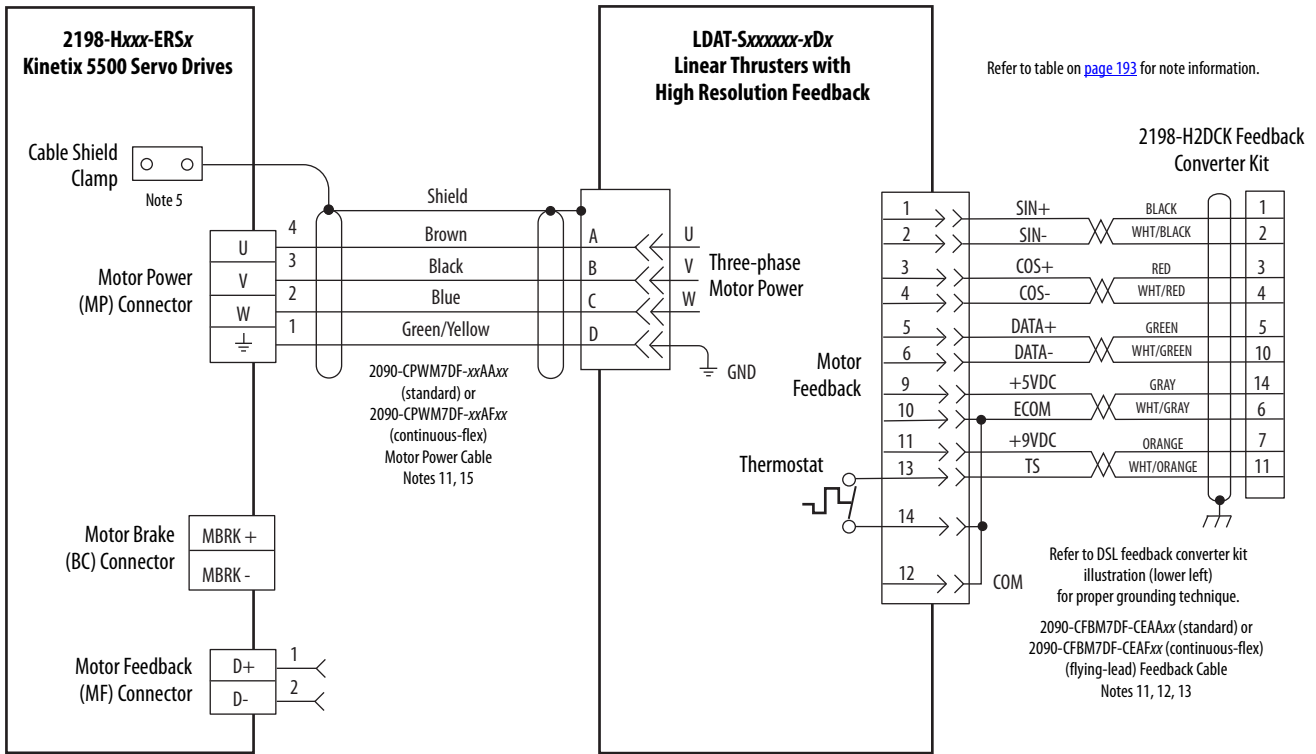


2090-CSxM1DF single cables have flying-lead conductors designed specifically for Kinetix 5500 servo drives. 2090-CSxM1DG cables have flying-leads that are longer than 2090-CSxM1DF cables to accommodate Kinetix 5500 or Kinetix 5700 servo drives.

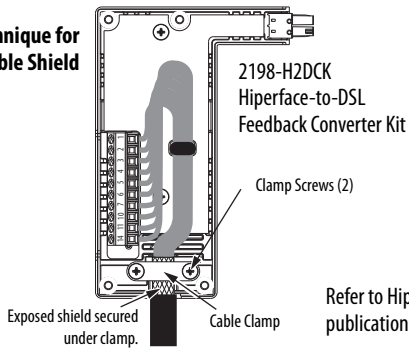
See the cable-shield grounding technique for single cables on [page 199](#).

These compatible linear actuators have separate connectors and cables for power/brake and feedback connections.

Figure 101 - Kinetix 5500 with LDAT-Series Linear Thrusters



Grounding Technique for Feedback Cable Shield



Refer to Hiperface to DSL Feedback Converter Kit Installation Instructions, publication [2198-IN006](#), for converter kit specifications.

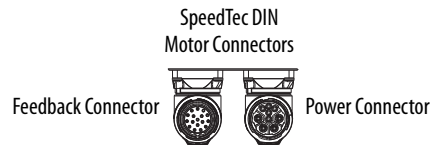
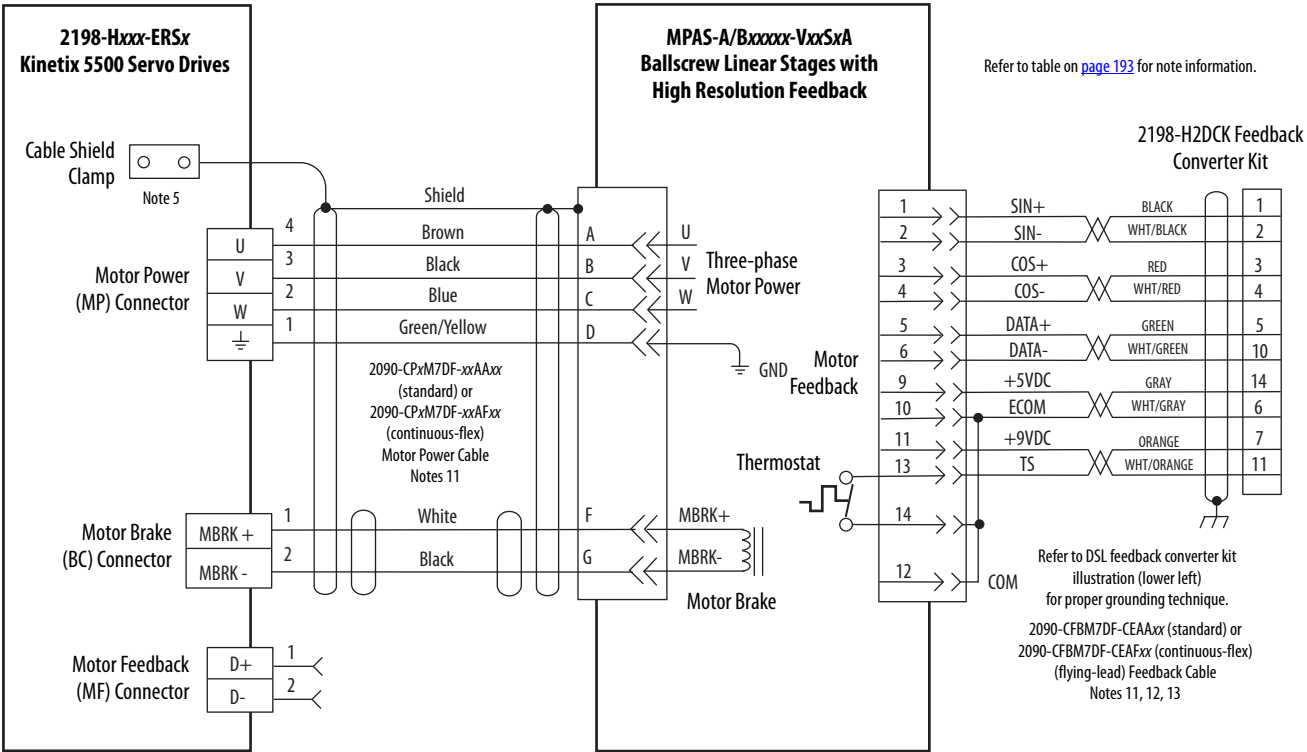
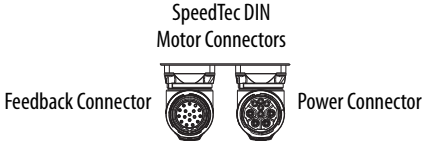
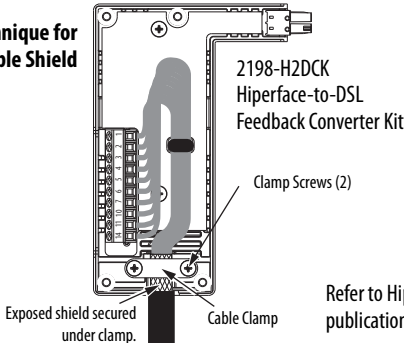


Figure 102 - Kinetix 5500 with Kinetix MPAS Linear Stages

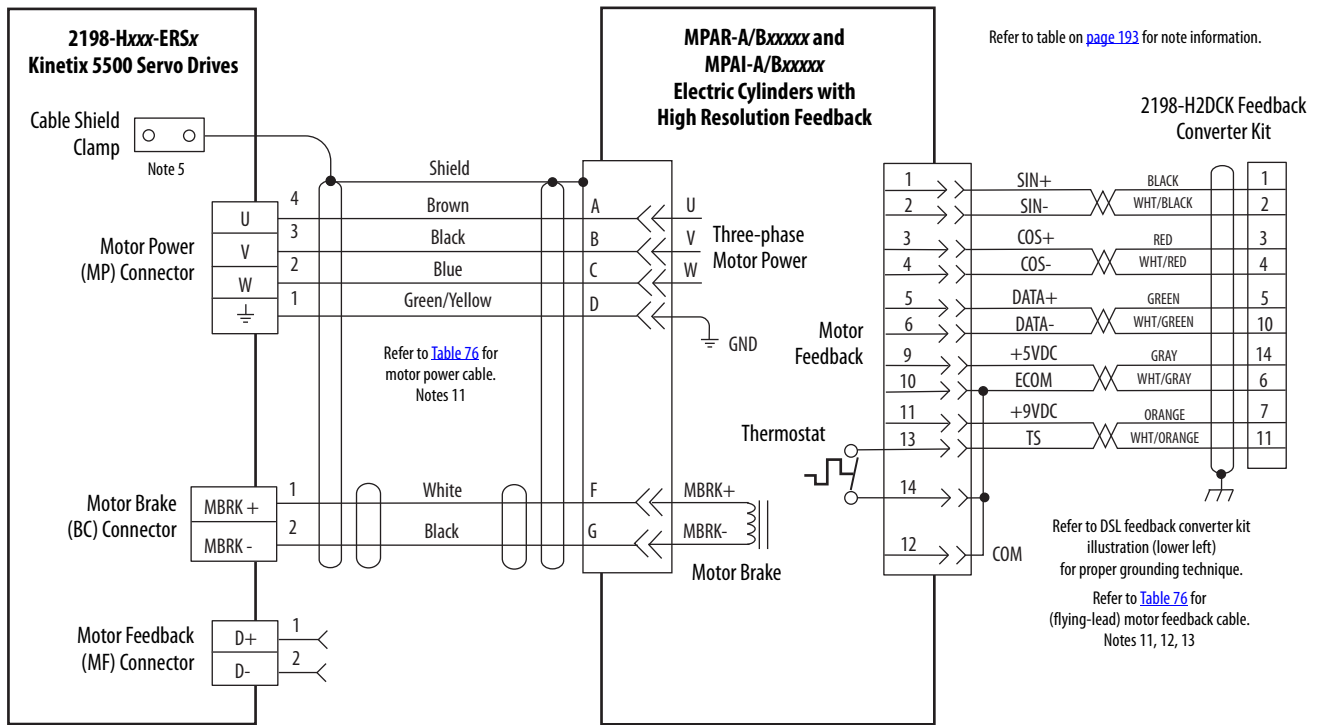


Grounding Technique for Feedback Cable Shield

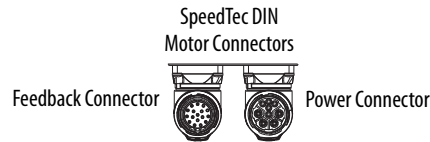
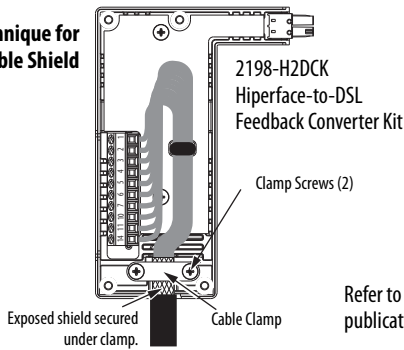


Refer to Hiperface to DSL Feedback Converter Kit Installation Instructions, publication [2198-IN006](#), for converter kit specifications.

Figure 103 - Kinetix 5500 with Kinetix MPAR and MPAI Electric Cylinders



Grounding Technique for Feedback Cable Shield



Refer to Hiperface to DSL Feedback Converter Kit Installation Instructions, publication 2198-IN006, for converter kit specifications.

Table 76 - Kinetix MPAR and MPAI Electric Cylinder Power and Feedback Cables

Electric Cylinder Cat. No.	Frame	Power Cable Cat. No.	Feedback Cable Cat. No.
MPAR-A/B1xxx (series A)	32	2090-XXNPMF-16Sxx (standard) or 2090-CPxM4DF-16AFxx (continuous-flex)	2090-XXNFMF-Sxx (standard) or 2090-CFBM4DF-CEAFxx (continuous-flex)
MPAR-A/B2xxx (series A)	40		
MPAR-A/B1xxx (series B)	32		
MPAR-A/B2xxx (series B)	40		
MPAR-A/B3xxx	63		
MPAI-A/B2xxxx	64	2090-CPxM7DF-16AAxx (standard) or 2090-CPxM7DF-16AFxx (continuous-flex)	2090-CFBM7DF-CEAAxx (standard) or 2090-CFBM7DF-CEAFxx (continuous-flex)
MPAI-A/B3xxxx	83		
MPAI-A/B4xxxx	110		
MPAI-B5xxxx	144		
MPAI-A5xxxx	144	2090-CPxM7DF-14AAxx (standard) or 2090-CPxM7DF-14AFxx (continuous-flex)	2090-CFBM7DF-CEAAxx (standard) or 2090-CFBM7DF-CEAFxx (continuous-flex)

System Block Diagrams

This section provides block diagrams of the Kinetix 5500 drive modules.

Figure 104 - Kinetix 5500 Drive Block Diagram

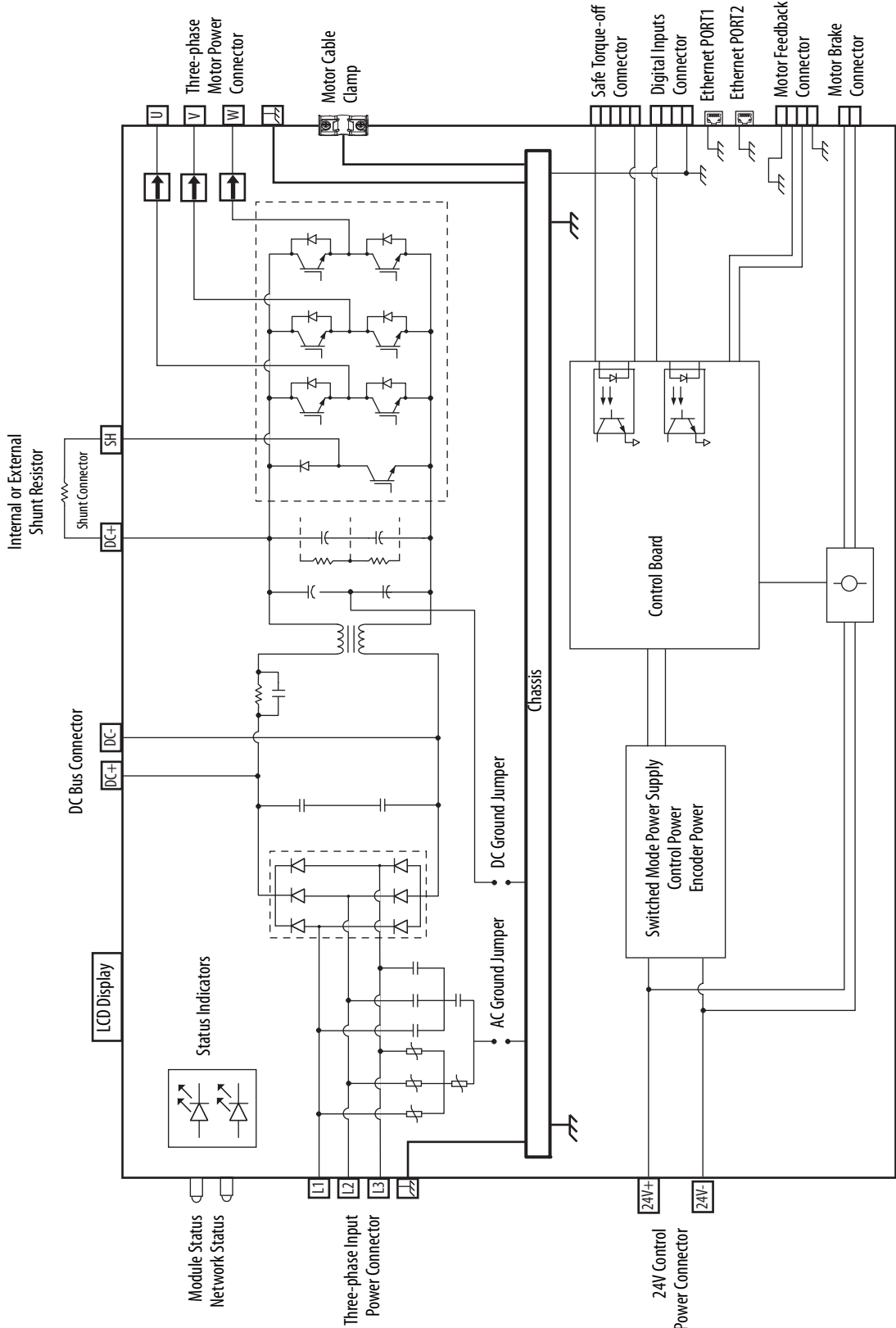
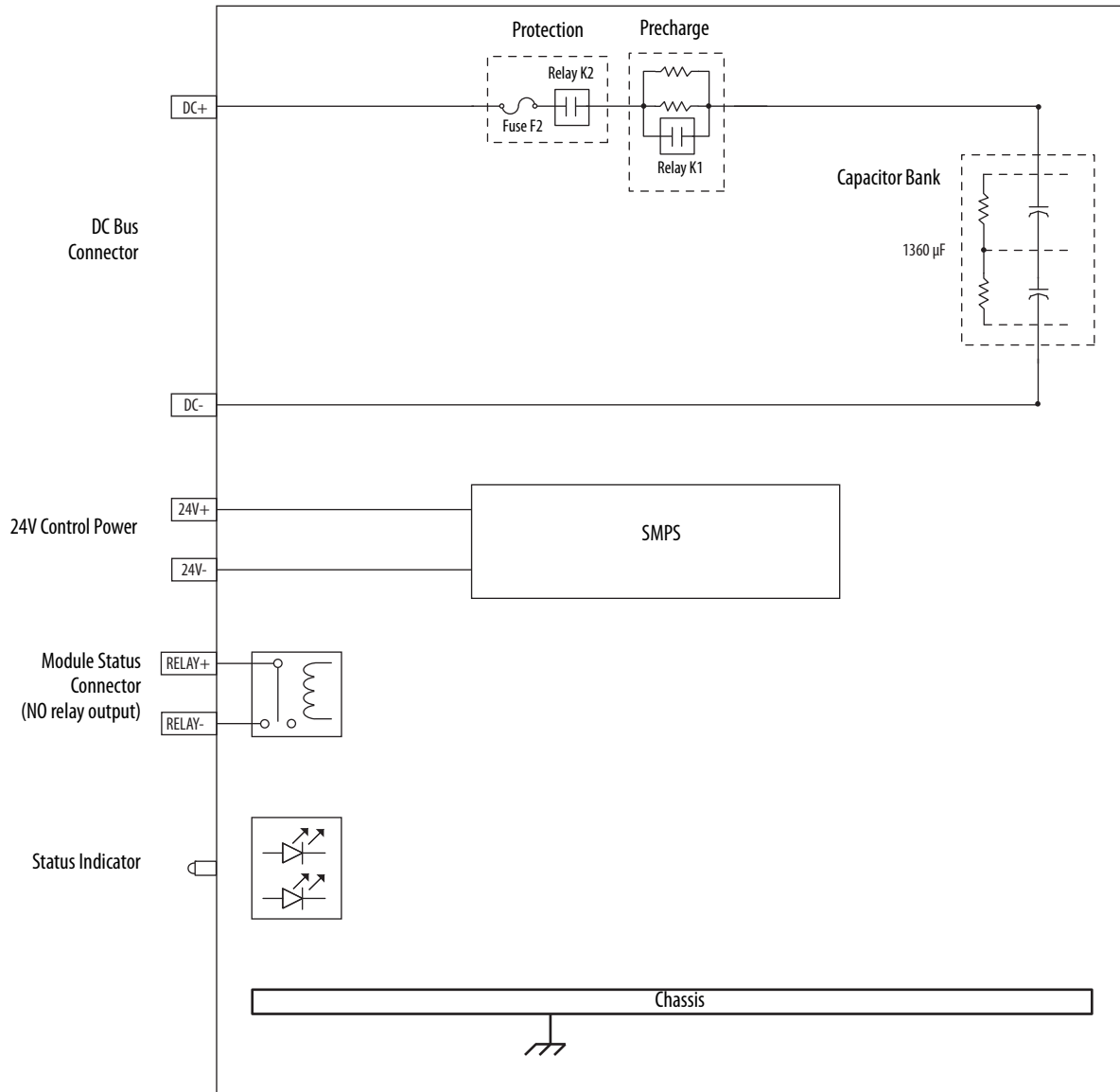


Figure 105 - Kinetix 5500 Capacitor Module Block Diagram



Upgrade the Drive Firmware

This appendix provides procedures for upgrading firmware by using ControlFLASH™ software.

Topic	Page
Before You Begin	208
Upgrade Firmware	211
Verify the Firmware Upgrade	215

Upgrading drive firmware by using ControlFLASH software involves configuring your Logix 5000™ controller communication, selecting the drive to upgrade, and upgrading the firmware.

IMPORTANT If the drive firmware contains updated safety firmware, you must de-energize the safety inputs first or the upgrade fails.

To update the drive firmware in Feedback Only mode, you must inhibit the axis first. Refer to [Inhibit Feedback Only Axis](#) on [page 210](#) for more information.

Before You Begin

These are the minimum firmware revisions and software versions required for upgrading drive firmware.

Table 77 - Kinetix 5500 System Requirements

Description	Firmware Revision
Studio 5000 Logix Designer® application	21.00 or later
RSLinx® software	2.58 or later
ControlFLASH software kit ⁽¹⁾	11.00 or later

Catalog numbers of the targeted Kinetix® 5500 drive module you want to upgrade.

Network path to the targeted Kinetix 5500 drive module you want to upgrade.

(1) Download the ControlFLASH kit from <http://support.rockwellautomation.com/controlflash>. For more ControlFLASH information (not drive specific), refer to the ControlFLASH Firmware Upgrade Kit Quick Start, publication [1756-QS105](#).

IMPORTANT Control power must be present at CP-1 (24V+) and CP-2 (24V-) prior to upgrading your target drive.

IMPORTANT The axis state on the LCD display must be STANDBY, CONFIGURING, or PRECHARGE before beginning this procedure.

IMPORTANT The axis state on the LCD display must be STANDBY, when Protected mode is enabled. See [Table 52](#) on [page 111](#) for more information.



ATTENTION: To avoid personal injury or damage to equipment during the firmware upgrade due to unpredictable motor activity, do not apply three-phase AC or common-bus DC input power to the drive.

Configure Logix 5000 Controller Communication

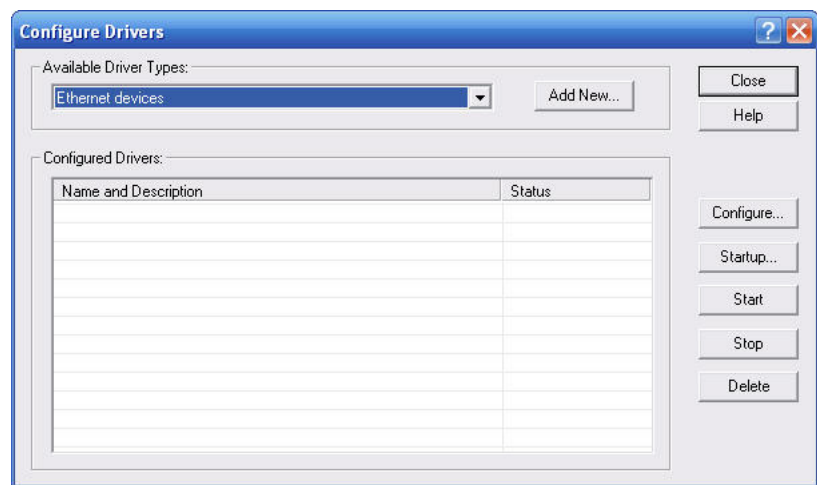
This procedure assumes that your communication method to the Logix 5000 controller is the Ethernet network. It also assumes that your Logix 5000 Ethernet module or controller has already been configured.

For more controller information, refer to [Additional Resources](#) on [page 12](#).

Follow these steps to configure Logix 5000 controller communication.

1. Open your RSLinx Classic software.
2. From the Communications menu, choose Configure Drivers.

The Configure Drivers dialog box appears.



3. From the Available Driver Types pull-down menu, choose Ethernet devices.
4. Click Add New.

The Add New RSLinx Classic Driver dialog box appears.

5. Type the new driver name.



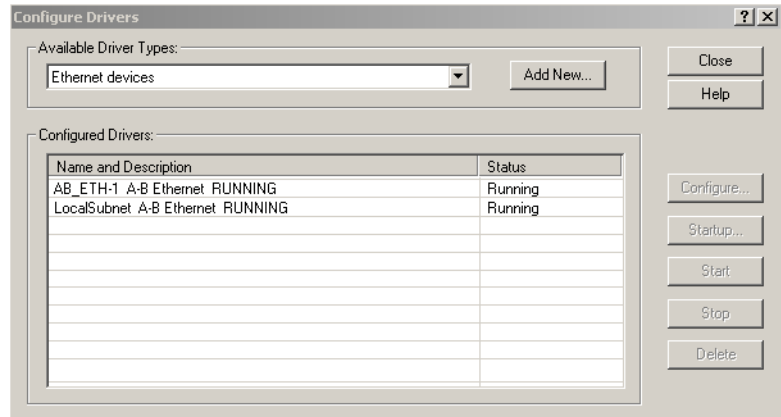
6. Click OK.

The Configure driver dialog box appears.



7. Type the IP address of your Kinetix 5500 servo drive.
8. Click OK.

The new Ethernet driver appears under Configured Drivers.



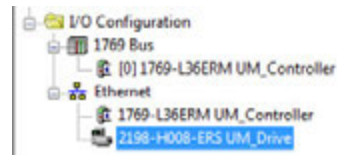
9. Click Close.
10. Minimize the RSLinx application dialog box.

Inhibit Feedback Only Axis

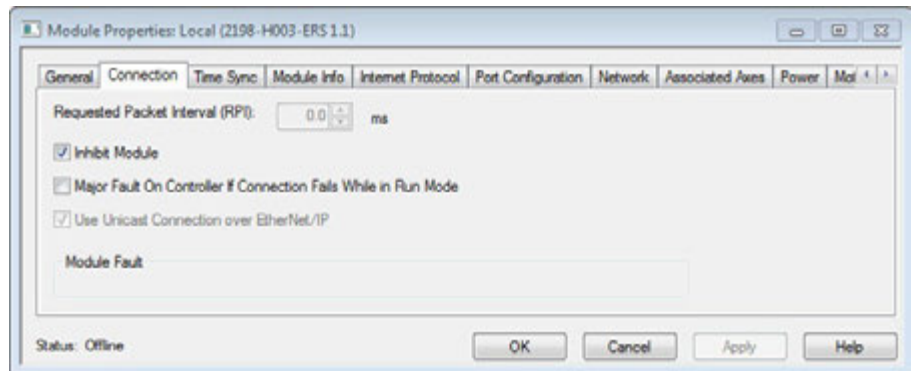
If an axis is configured as Feedback Only, you must inhibit the axis prior to performing the firmware upgrade. Follow these steps to inhibit an axis.

1. Open your Logix Designer application.
2. Right-click the 2198-Hxxx-ERSx servo drive you configured as Feedback Only and choose Properties.

The Module Properties dialog box appears.



3. Click the Connection tab.



4. Check Inhibit Module.
5. Click OK.
6. Save your file and download the program to the controller.

Upgrade Firmware

Follow these steps to select the drive module to upgrade.

1. In the Logix Designer application, from the Tools menu, choose ControlFLASH.

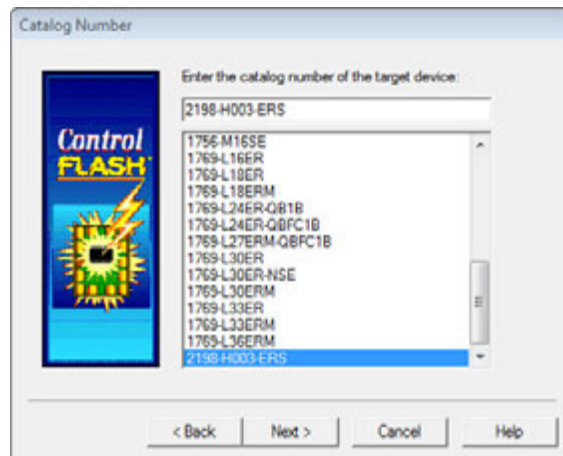
TIP You can also open ControlFLASH software by choosing Start>Programs>FLASH Programming Tools>ControlFLASH.

The Welcome to ControlFLASH dialog box appears.



2. Click Next.

The Catalog Number dialog box appears.

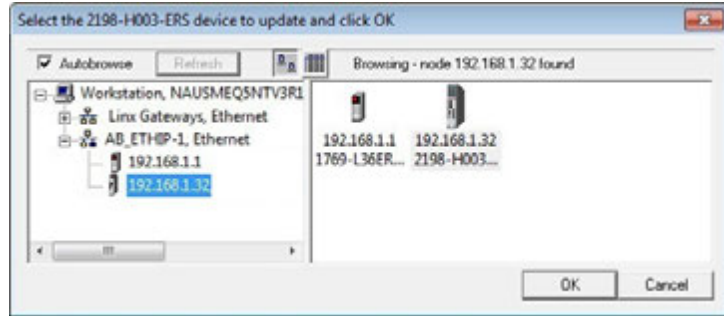


3. Select your drive module.

In this example, the 2198-H003-ERS servo drive is selected.

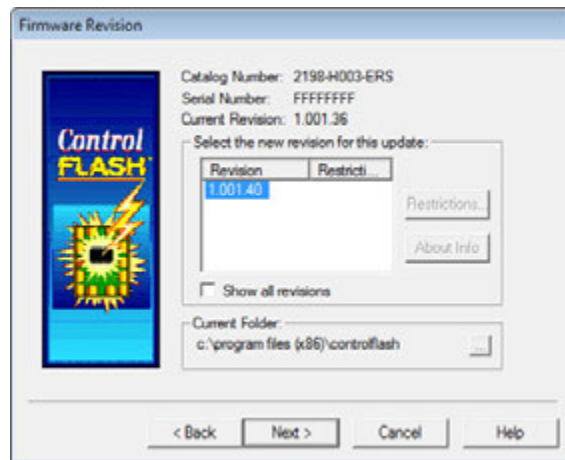
4. Click Next.

The Select Device to Update dialog box appears.



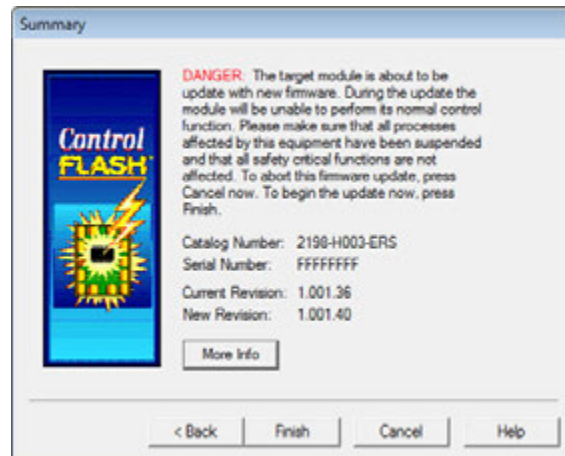
5. Expand your Ethernet node, Logix backplane, and EtherNet/IP™ network module.
6. Select the servo drive to upgrade.
7. Click OK.

The Firmware Revision dialog box appears.



8. Select the firmware revision to upgrade.
9. Click Next.

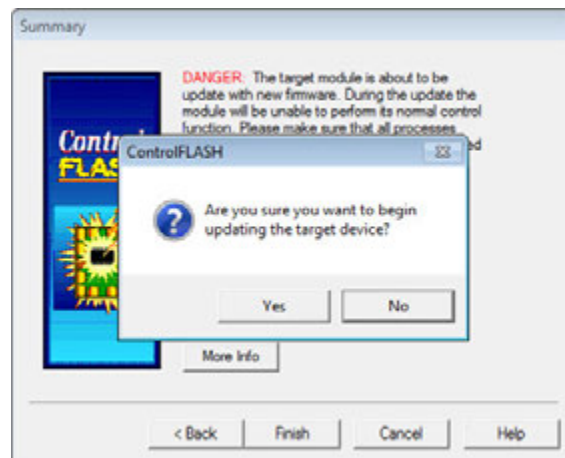
The Summary dialog box appears.



10. Confirm the drive catalog number and firmware revision.

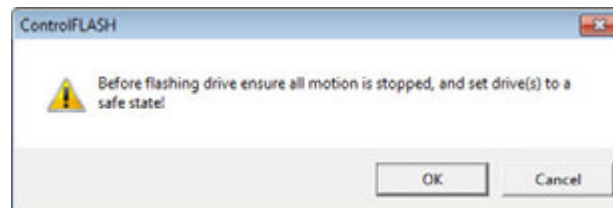
11. Click Finish.

This ControlFLASH warning dialog box appears.



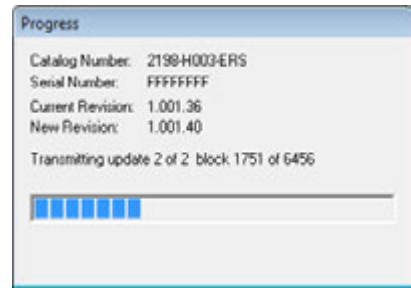
12. Click Yes (only if you are ready).

This ControlFLASH warning dialog box appears.



13. Acknowledge the warning and click OK.

The Progress dialog box appears and updating begins.

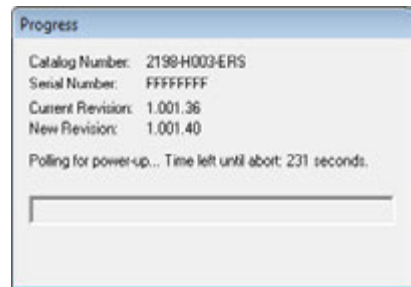


The axis state on the LCD display changes from CONFIGURING, STOPPED, or PRECHARGE to FIRMWARE UPDATE, which indicates that the upgrade is in progress.

After the upgrade information is sent to the drive, the drive resets and performs diagnostic checking.

14. Wait for the Progress dialog box to time out.

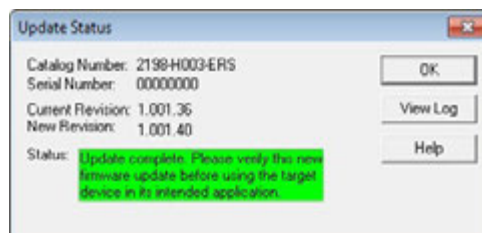
It is normal for this process to take several minutes.



IMPORTANT Do not cycle power to the drive during this process or the firmware upgrade does not complete successfully.

15. Verify that the Update Status dialog box appears and indicates success or failure as described below.

Upgrading Status	If
Success	Update complete appears in a green Status dialog box, then go to step 16 .
Failure	Update failure appears in a red Status dialog box, then refer to ControlFLASH Firmware Upgrade Kit User Manual, publication 1756-UM105 , for troubleshooting information.



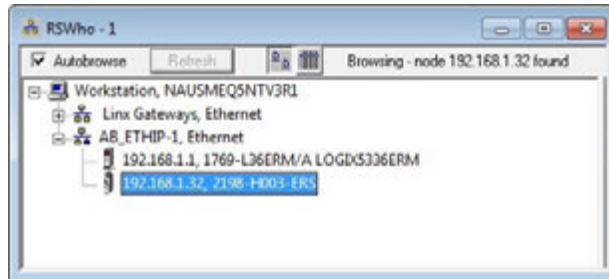
16. Click OK.

IMPORTANT If you are upgrading a feedback-only axis and you checked Inhibit Module on the Connection tab in Module Properties, you must clear the Inhibit Module checkbox before resuming normal operation.

Verify the Firmware Upgrade Follow these steps to verify your firmware upgrade was successful.

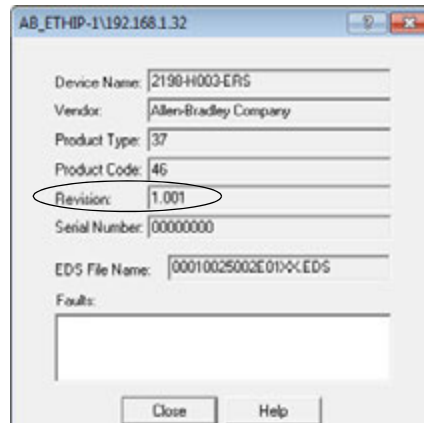
TIP Verifying the firmware upgrade is optional.

1. Open your RSLinx software.
2. From the Communications menu, choose RSWho.



3. Expand your Ethernet node, Logix backplane, and EtherNet/IP network module.
4. Right-click the drive module and choose Device Properties.

The Device Properties dialog box appears.



5. Verify the new firmware revision level.
6. Click Close.

Notes:

Size Multi-axis Shared-bus Configurations

This appendix provides information and examples for sizing your Kinetix® 5500 drive shared-bus configurations.

Topic	Page
Shared-bus Configurations	217
Power-sharing Sizing Examples	222
Control Power Current Calculations	224
Energy Calculations	226

Shared-bus configurations include the following types:

- Shared AC
- Shared DC (common bus)
- Shared AC/DC
- Shared AC/DC Hybrid

These restrictions apply to all shared-bus configurations:

- Shared-bus configurations must use the shared-bus connection system.

IMPORTANT Do not make drive-to-drive connections with discrete wires.

- Single-phase drive operation is not supported.
- Shared AC/DC and shared AC/DC hybrid configurations result in a derating of 30% of the total converter power available.
- The zero-stack tabs and cutouts must be engaged from drive-to-drive. Systems cannot start in one cabinet and end in another.
- Program drives for the same converter AC input voltage.

Shared-bus Configurations

Shared AC configurations are configured as Standalone in the project file and do not share these restrictions that apply to multi-axis shared-bus configurations:

- All drives in a bus-sharing group must be configured with the same bus power-sharing group number in the Logix Designer application.
- The maximum number of drives in any bus power-sharing group cannot exceed eight.

Shared AC Configurations

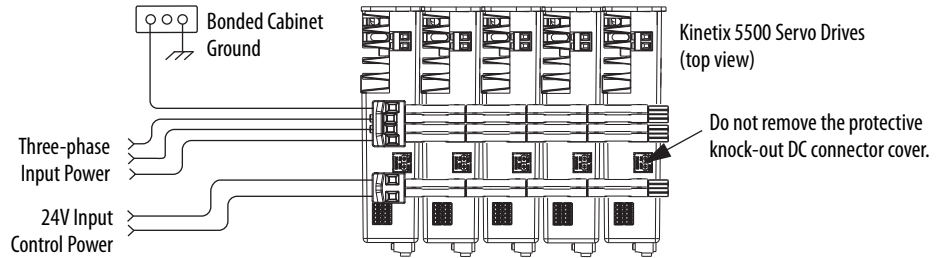
In shared AC configurations, the first (leftmost) drive receives AC input voltage. The shared-bus connection system extends the AC bus to all downstream drives:

- All drives are configured in the project file as Standalone drives.
- Drives must be of the same power rating (catalog number).
- Shared AC configurations do not support Bulletin 2198 capacitor modules.
- The maximum number of drives in Shared AC configurations is restricted as described in [Table 78](#).

Table 78 - Shared AC Panel Layout

Drive Cat. No.	Frame Size	Number of Drives Configured as Shared AC, max
2198-H003-ERSx	1	5
2198-H008-ERSx		
2198-H015-ERSx	2	3
2198-H025-ERSx		
2198-H040-ERSx		
2198-H070-ERSx	3	2

Figure 106 - Typical Shared AC Configuration



For an example shared AC installation with additional details, refer to [Typical Shared AC Installations](#) on [page 18](#).

Shared DC Configurations

In a Shared DC (DC common bus) configuration, the first (leftmost) drive is the leader drive and is the only drive that receives the AC input voltage. All drives to the right of the leader drives are follower drives. They receive the DC bus voltage extended from the leader drive through the shared-bus connection system:

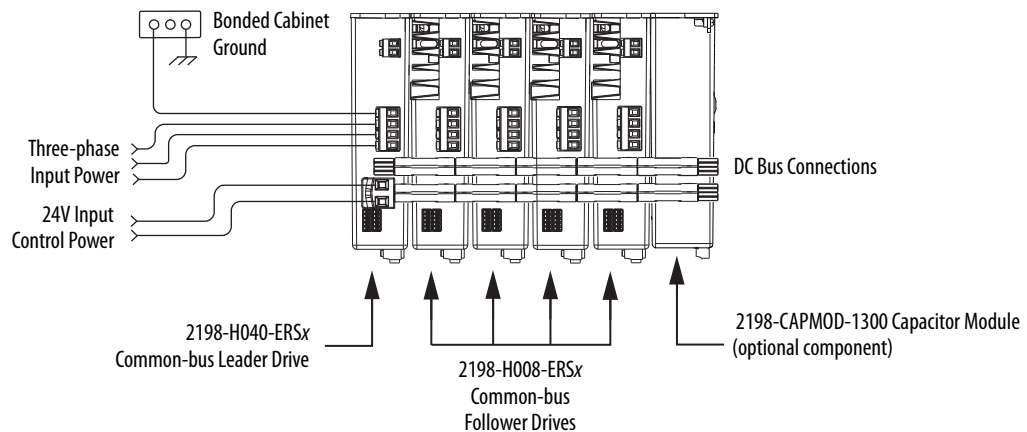
- For DC common-bus installations, the power rating of the leader drive must be greater than or equal to the power rating of the follower drives.
- The leader drive is configured in the project file as Shared AC/DC.
- The follower drives are configured in the project file as Shared DC.
- Shared DC configurations support Bulletin 2198 capacitor modules.

Table 79 - Shared DC Panel Layout

Frame Size Combination	Leader Drive Cat. No.	Follower Drives, max ⁽¹⁾	Follower Cat. No.	Number of Capacitor Modules, max
1	2198-H003-ERSx	4	2198-H003-ERSx	0
	2198-H008-ERSx	4	2198-H003-ERSx 2198-H008-ERSx	1 1
2 and 1	2198-H015-ERSx	6	2198-H003-ERSx	1
2			2198-H015-ERSx	
2 and 1	2198-H025-ERSx	6	2198-H003-ERSx	3
2			2198-H008-ERSx	
			2198-H015-ERSx	
			2198-H025-ERSx	
2 and 1	2198-H040-ERSx	6	2198-H003-ERSx	3
2			2198-H008-ERSx	
			2198-H015-ERSx	
			2198-H025-ERSx	
			2198-H040-ERSx	
3 and 1	2198-H070-ERSx	7	2198-H003-ERSx	4
3 and 2			2198-H008-ERSx	
			2198-H015-ERSx	
			2198-H025-ERSx	
			2198-H040-ERSx	
			2198-H070-ERSx	
3				

(1) For Bulletin 2198 capacitor module maximum values, refer to the Kinetix 5500 Capacitor Module Installation Instructions, publication [2198-IN004](#).

Figure 107 - Typical DC Common Bus Configuration



IMPORTANT Total number of drives in Kinetix 5500 drive system must not exceed eight.

For an example shared DC installation with additional details, refer to [Typical Shared DC Common-bus Installations](#) on [page 20](#).

Shared AC/DC Configurations

In a shared AC/DC configuration, the first (leftmost) drive receives AC input voltage. The shared-bus connection system extends the AC and DC bus to all downstream drives:

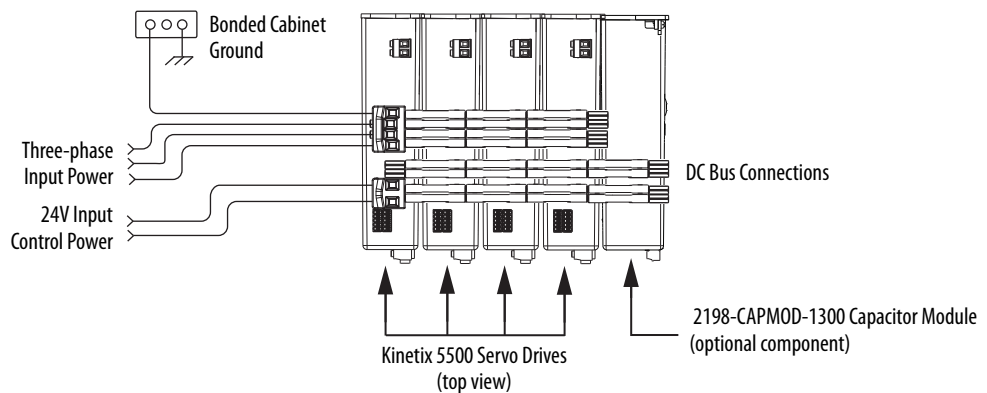
- All drives are configured in the project file as Shared AC/DC drives.
- Drives must be of the same power rating (catalog number).
- Shared AC/DC configurations support Bulletin 2198 capacitor modules
- Total available converter power is derated by 30%.
- The maximum number of drives configured as Shared AC/DC is described in [Table 80](#).

Table 80 - Shared AC/DC Panel Layout

Drive Cat. No.	Frame Size	Drives Configured as Shared AC/DC, max ⁽¹⁾	Number of Capacitor Modules, max
2198-H003-ERSx	1	8	0
2198-H008-ERSx			1
2198-H015-ERSx	2	4	4
2198-H025-ERSx			
2198-H040-ERSx			
2198-H070-ERSx	3	2	4

(1) For Bulletin 2198 capacitor module maximum values, refer to the Kinetix 5500 Capacitor Module Installation Instructions, publication [2198-IN004](#).

Figure 108 - Typical Shared AC/DC Configuration



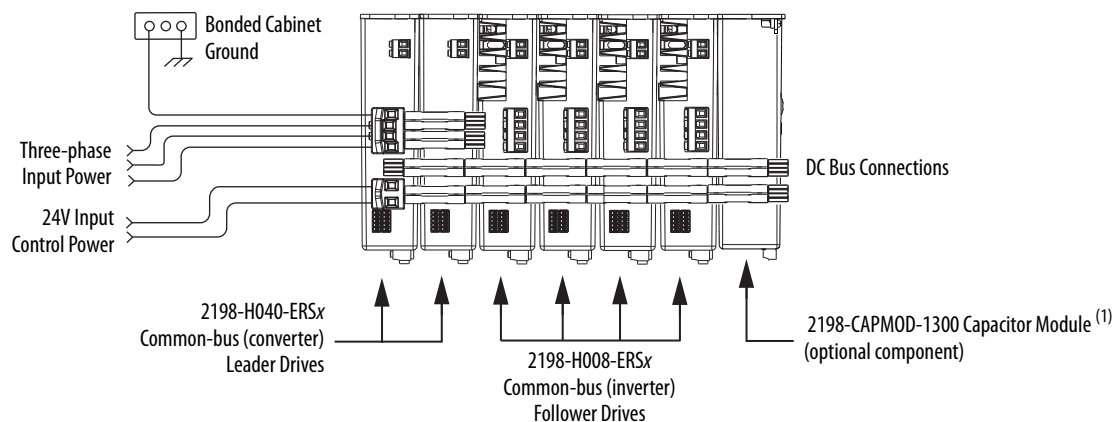
For an example shared AC/DC installation with additional details, refer to [Typical Shared AC/DC Installations](#) on [page 19](#).

Shared AC/DC Hybrid Configurations

In shared AC/DC hybrid configurations, three-phase AC input power is supplied to two or more (leader) drives that act as converters. This parallel converter configuration increases the DC power supplied to the inverter (follower) drives:

- The leftmost drives in a hybrid configuration act as parallel converter drives and must be of the same power rating (catalog number).
- Shared DC (inverter) drives mounted to the right of the shared AC/DC (converter) drives must have the same or lower power rating (catalog number) than the shared AC/DC drives.
- The total motoring load must not exceed the rated load for the drives sourcing the DC power. Each follower drive must be sized for the motor load connected to it.
- Total available converter power is derated by 30%.
- The maximum number of drives configured in the project file as Shared AC/DC is restricted according to [Table 80 on page 220](#).
- The maximum number of drives configured in the project file as Shared DC is restricted according to [Table 79 on page 219](#).
- Shared AC/DC hybrid configurations support Bulletin 2198 capacitor modules.

Figure 109 - Typical Shared AC/DC Hybrid Configuration



(1) For Bulletin 2198 capacitor module maximum values, refer to the Kinetix 5500 Capacitor Module Installation Instructions, publication [2198-IN004](#).

For an example shared AC/DC hybrid installation with additional details, refer to [Typical Shared AC/DC Bus Hybrid Installations](#) on [page 21](#).

Power-sharing Sizing Examples

For best results, size motors based on load torque requirements by using Motion Analyzer software. Select drives based on continuous or peak torque requirements. Based on the load profile, use Motion Analyzer software to estimate the net converter and inverter power and bus regulator capacity.

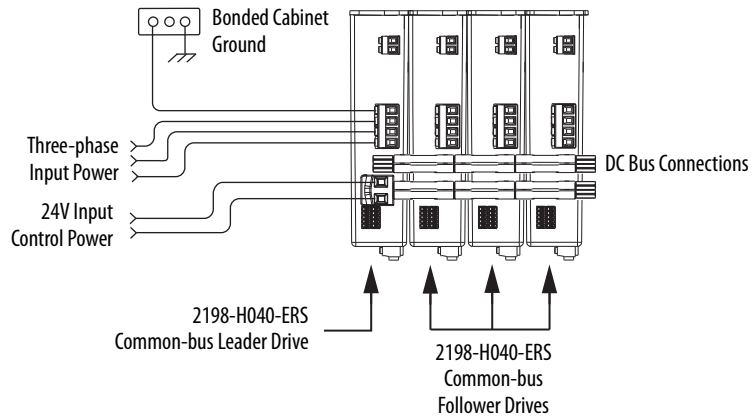
Table 81 - Converter and Bus Regulator Capacity

Configuration	Available Converter Capacity	Available Regenerative Capacity
Shared AC	Converter power rating of each drive	Internal shunt of each drive
Common bus	Converter power rating of leader drive	Sum of all internal shunts from each drive in bus-sharing group
Shared AC/DC	Sum of converter power ratings times 0.7 (70%)	
Shared AC/DC hybrid		

Shared DC Example

In this example four 2198-H040-ERS drives are used in a common-bus configuration.

Figure 110 - DC Common Bus Configuration



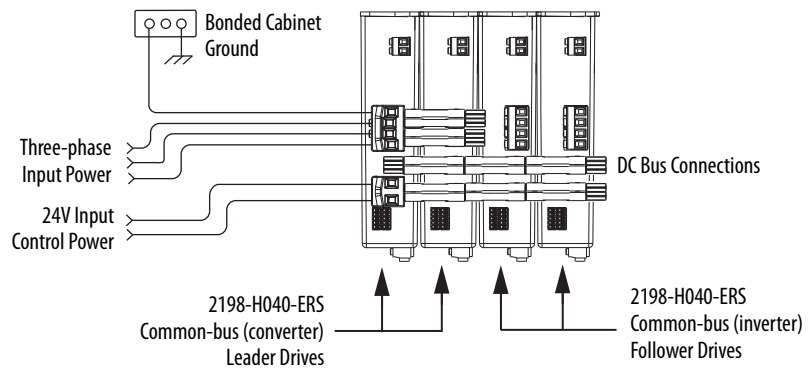
Each 2198-H040-ERS drive is rated at 8.4 kW continuous output power to bus. However, only the leader drive acts as the converter, so the available converter power to the system is 8.4 kW. In this example, total motoring load must not exceed 8.4 kW.

Shared AC/DC Hybrid Example

If the required motoring power exceeds the available converter power sourced by the shared DC configuration, then connect a second converter drive to make a shared AC/DC hybrid configuration. This increases the available converter power.

In this example, the same four 2198-H040-ERS drives are used, however, two are connected as parallel converter (leader) drives and the other two as common-bus (follower) drives. The total converter power is derated by 30%.

Figure 111 - Shared AC/DC Hybrid Configuration



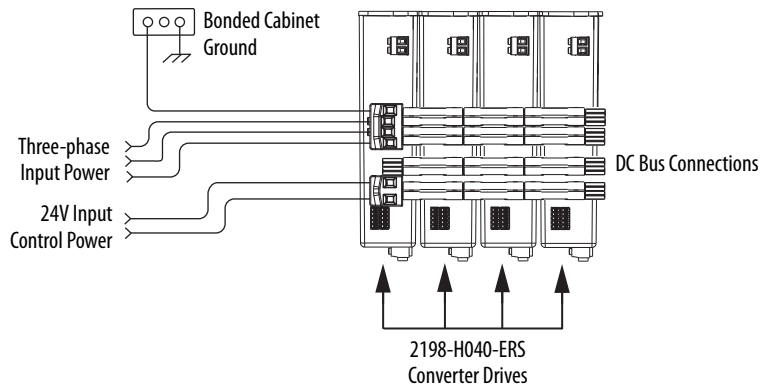
The available converter power to the system is $(8.4 \bullet 2) \bullet 0.7 = 11.76$ kW. In this example, total motoring load must not exceed 11.76 kW. The available converter power was increased by 40% over the same drives in shared DC configuration.

Shared AC/DC Example

If the required motoring power exceeds the available converter power sourced by two leader drives, then connect all four drives as parallel converter drives. This further increases the available converter power.

In this example, the same four 2198-H040-ERS drives are used, however, all four are connected as parallel converter (leader) drives. The total converter power is derated by 30%.

Figure 112 - Shared AC/DC Configuration



The available converter power to the system is $(8.4 \bullet 4) \bullet 0.7 = 23.52$ kW. In this example, total motoring load must not exceed 23.52 kW. The available converter power was increased by 180% over the same drives in shared DC configuration.

Control Power Current Calculations

Kinetix 5500 servo drives and the Bulletin 2198 capacitor module have different 24V DC power consumption. Factors to consider when calculating the combined current demand from your 24V DC power supply includes the following:

- Catalog number for each drive in the system
- Whether the motor or actuator includes the holding brake option
- Whether the system includes Bulletin 2198 capacitor modules (1 to 4 modules are possible)

Table 82 - Control Power Current Demand

Cat. No.	24V Current (non-brake motor) A _{DC}	24V Current (2 A brake motor) A _{DC}	24V Inrush Current ⁽¹⁾ A
2198-H003-ERSx	0.4	2.4	2.0
2198-H008-ERSx			
2198-H015-ERSx	0.8	2.8	3.0
2198-H025-ERSx			
2198-H040-ERSx			
2198-H070-ERSx	1.3	3.3	
2198-CAPMOD-1300	0.3	N/A	2.0

(1) Inrush current duration is less than 30 ms.

Kinetix 5500 System Current Demand Example

In this example, the Kinetix 5500 drive system includes two 2198-H040-ERS drives, four 2198-H008-ERS drives, and one capacitor module.

Figure 113 - Shared AC/DC Hybrid Configuration

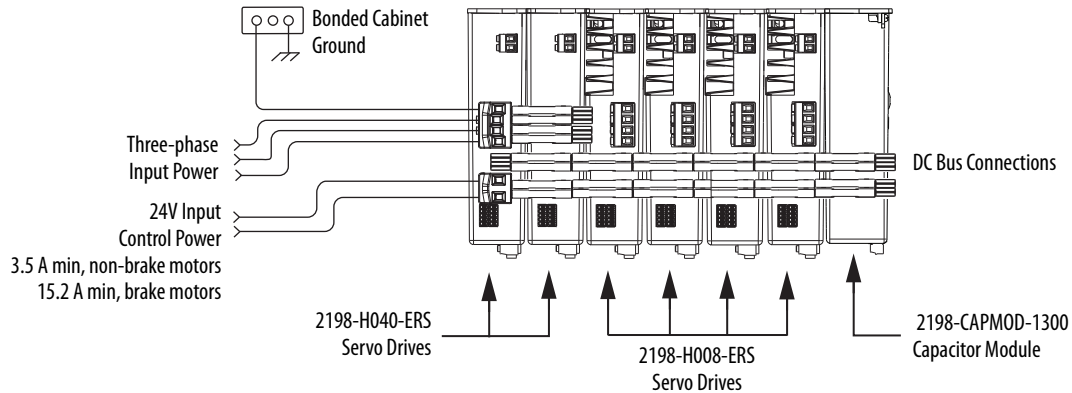


Table 83 - Kinetix 5500 System Current Demand Calculations

Kinetix 5500 Module Cat. No.	Qty	24V Current (non-brake motors) A _{DC}	24V Current (2 A brake motors) A _{DC}	24V Inrush Current ⁽¹⁾ A
2198-H008-ERSx	4	0.4 x 4 = 1.6	2.4 x 4 = 9.6	2 x 4 = 8
2198-H040-ERSx	2	0.8 x 2 = 1.6	2.8 x 2 = 5.6	3 x 2 = 6
2198-CAPMOD-1300	1	0.3 x 1 = 0.3	N/A	2 x 1 = 2
Total current demand		3.5	15.2	16

(1) Inrush current duration is less than 30 ms.

Energy Calculations

The Kinetix 5500 servo drives have internal shunt resistors for dissipating excessive energy. In addition, Bulletin 2097 external shunt resistors and Bulletin 2198 capacitor modules are available to increase the shared DC bus capacitance.

Use this table to calculate the total energy absorbing potential (joules) and determine if a capacitor module or external shunt resistor is needed.

Table 84 - Energy Absorbing Potential

Kinetix 5500 Drive Cat. No.	Internal Shunt ⁽¹⁾ J	External Shunt kJ	Capacitor Module ⁽¹⁾ J	Capacitor Module, max ⁽²⁾ J
2198-H003-ERSx	427.09	12.51	N/A	N/A
2198-H008-ERSx			554.4	554.4
2198-H015-ERSx	549.01	12.521	676.32	676.32
2198-H025-ERSx	575.223	12.549	702.53	957.162
2198-H040-ERSx	601.434	22.647	728.74	983.373
2198-H070-ERSx	1827.01	27.218	1954.3	2208.95

(1) Value assumes the use of one servo drive and one capacitor module.

(2) Value assumes the use of one servo drive and the maximum number of capacitor modules allowed.

Refer to Motion Analyzer software, version 7.0 or later, for custom shunt sizing.

Motor Control Feature Support

This appendix provides feature descriptions for the induction motors and permanent-magnet motors that are supported by Kinetix® 5500 servo drives.

Topic	Page
Frequency Control Methods	228
Current Limiting for Frequency Control	232
Stability Control for Frequency Control	235
Skip Speeds	237
Flux Up	239
Current Regulator Loop Settings	242
Motor Category	242
Selection of Motor Thermal Models	248
Speed Limited Adjustable Torque (SLAT)	250
Motor Overload Retention	256
Phase Loss Detection	257
Velocity Droop	260
Commutation Test	262
Adaptive Tuning	262

Frequency Control Methods

The Kinetix 5500 servo drives support three open-loop frequency control methods. These are the choices:

- **Basic Volts/Hertz** - This method is used in single asynchronous-motor applications
- **Basic Volts/Hertz - Fan Pump** - This method is similar to Basic Volts/Hertz, but is specifically tailored for fan/pump applications
- **Sensorless Vector with Slip Compensation** - This method is used for most constant torque applications. Provides excellent starting, acceleration, and running torque

To configure your induction motor in the Logix Designer application, refer to [Configure Induction-motor Frequency-control Axis Properties](#) on [page 130](#).

Open-loop frequency control is suitable in applications such as conveyors, pumps, and fans. Features include the following:

- Start Boost and Run Boost
- Electronic motor thermal-overload protection per Class 10 requirements
- Two skip frequencies, in which the drive does not operate
- All three-phase induction motors, suitable for variable speed drive (VFD) operation, are supported

Table 85 - Motor Specifications

Attribute	Value
Output frequency, max	590 Hz
Pole pairs, max	50
Motor cable length, max	50 m (164 ft) ⁽¹⁾

(1) Applies to all Kinetix 5500 (frame 2 and 3) drives. For Kinetix 5500 (frame 1) drives in continuous-flex applications, 30 m (98 ft) is the maximum cable length.

Basic Volts/Hertz

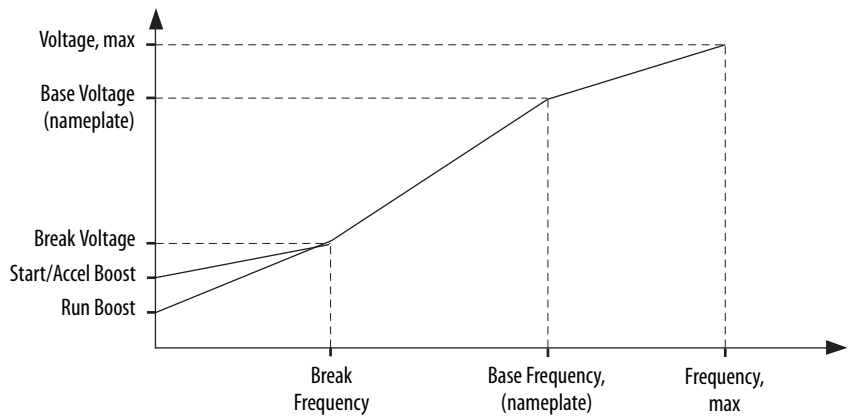
Volts/hertz operation creates a fixed relationship between output voltage and output frequency. Voltage is applied to the motor, which is based on the operating frequency command at a fixed volts/hertz ratio. The ratio is calculated from the motor nameplate data and entered into the Logix Designer application > Axis Properties > Frequency Control category.

The Basic Volts/Hertz method provides various patterns. The default configuration is a straight line from zero to rated voltage and frequency. As seen in [Figure 114](#), you can change the volts/hertz ratio to provide increased torque performance when required by programming five distinct points on the curve.

Table 86 - Basic Volts/Hertz Definitions

Curve Feature	Definition
Start boost	Used to create additional torque for breakaway from zero speed and acceleration of heavy loads at lower speeds.
Run boost	Used to create additional running torque at low speeds. The value is typically less than the required acceleration torque. The drive lowers the boost voltage to this level when running at low speeds (not accelerating). This reduces excess motor heating that could result if the higher start/accl boost level were used.
Break voltage/frequency	Used to increase the slope of the lower portion of the Volts/Hertz curve, providing additional torque.
Motor nameplate voltage/frequency	Sets the upper portion of the curve to match the motor design. Marks the beginning of the constant power region.
Maximum voltage/frequency	Slopes the portion of the curve that is used above base speed.

Figure 114 - Basic Volts/Hertz Method



Basic Volts/Hertz for Fan/Pump Applications

The Basic Volts/Hertz Fan/Pump (fan/pump) method is based on the Basic Volts/Hertz (V/Hz) method, but is specifically tailored for fan/pump applications.

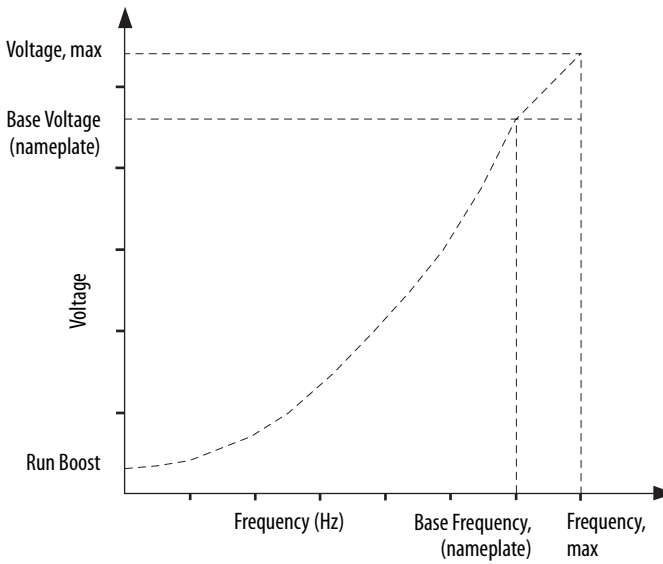
Figure 115 - Output Voltage Equation

$$V_x = \left(\frac{f_x}{f_n} \right)^2 (V_n - V_{boost}) + V_{boost}$$

Where:
 V_x = Output voltage
 f_x = Output frequency
 V_n = Rated voltage
 f_n = Rated frequency
 V_{boost} = Run boost voltage

For maximum system efficiency, fan/pump loads use variable frequency drives that are equipped with a specific V/Hz curve where voltage is proportional to square of the frequency.

Figure 116 - Basic Volts/Hertz Fan/Pump Method

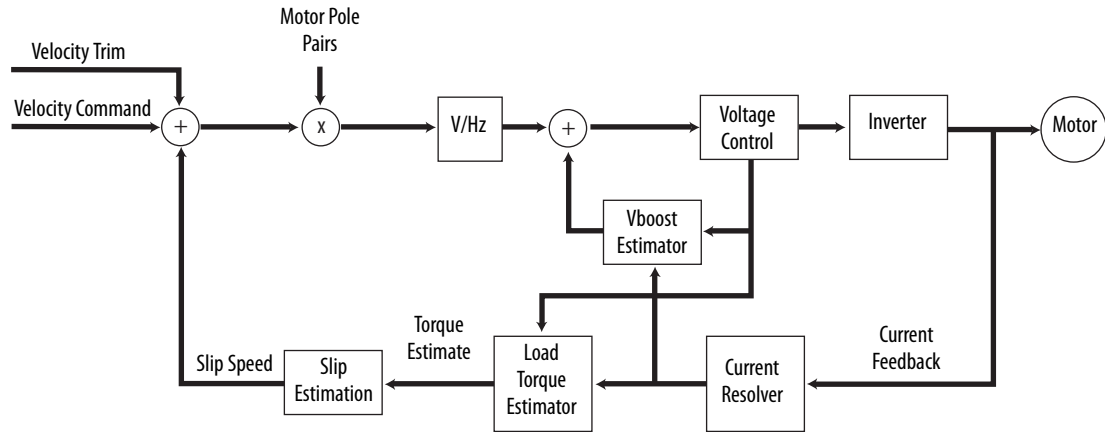


TIP The Fan/Pump control method supports the run-boost attribute, but does not support break-voltage, break-frequency, or start-boost.

Sensorless Vector

The Sensorless Vector method uses a volts/hertz core enhanced by a current resolver, slip estimator, and a voltage-boost compensator based on the operating conditions of the motor.

Figure 117 - Sensorless Vector Method

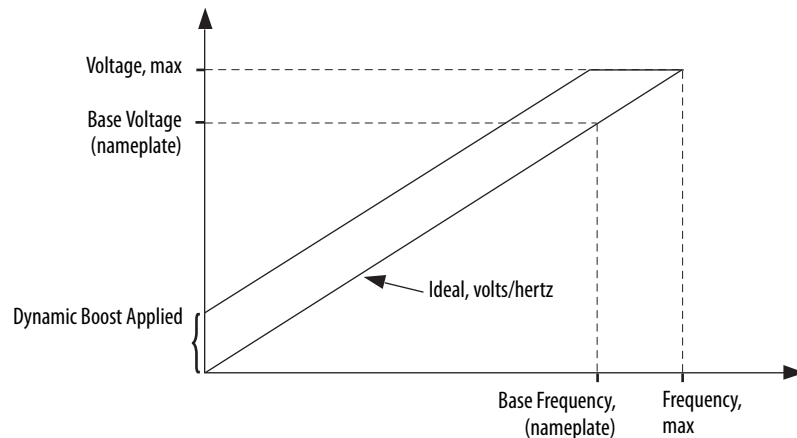


The algorithms operate on the knowledge of the relationship between the rated slip and torque of the motor. The drive uses applied voltages and measured currents to estimate operating slip-frequency. You can enter values to identify the motor resistance value or you can run a motor test to identify the motor resistance value (see [Motor Tests and Autotune Procedure](#) on [page 244](#)). Motor nameplate data and test results are ways to accurately estimate the required boost voltage.

The sensorless vector method offers better torque production and speed regulation over a wider speed range than basic volts/hertz.

Dynamic boost is applied internally to compensate voltage drop and improve starting torque.

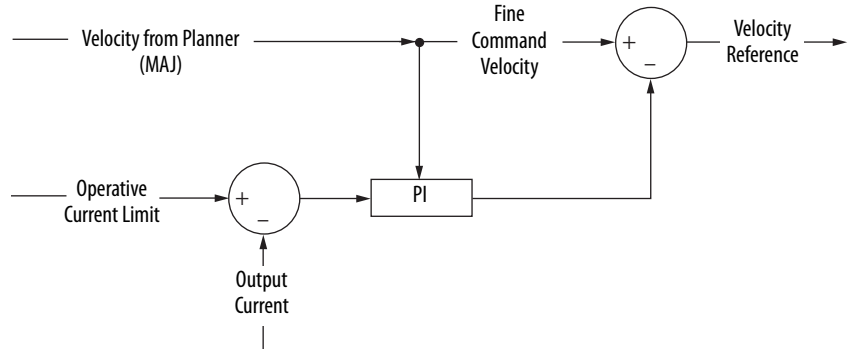
Figure 118 - Approximate Load Curve



Current Limiting for Frequency Control

The current limiting module prevents the OutputCurrent value from exceeding the OperativeCurrentLimit value when the drive is configured in Frequency Control mode.

Figure 119 - Current Limiting Module



In Frequency Control mode, OperativeCurrentLimit is the minimum value of the motor-thermal current limit, inverter-thermal current limit, motor-peak current limit, drive-peak current limit, and the CurrentVectorLimit value.

The Effects of Current Limiting

Indirect current limiting is available for induction motors configured for frequency control. You can use this feature to help prevent overcurrent faults due to aggressive acceleration/deceleration profiles or impact loads. The Current Limiting attribute uses a PI regulator to control the OutputCurrent by adjusting the velocity reference.

IMPORTANT When configured for Frequency Control (induction motors only), select the Decel and disable stopping action only when the Current Limiting feature is enabled.

Figure 120 - Effects of Current Limiting on an Aggressive Acceleration

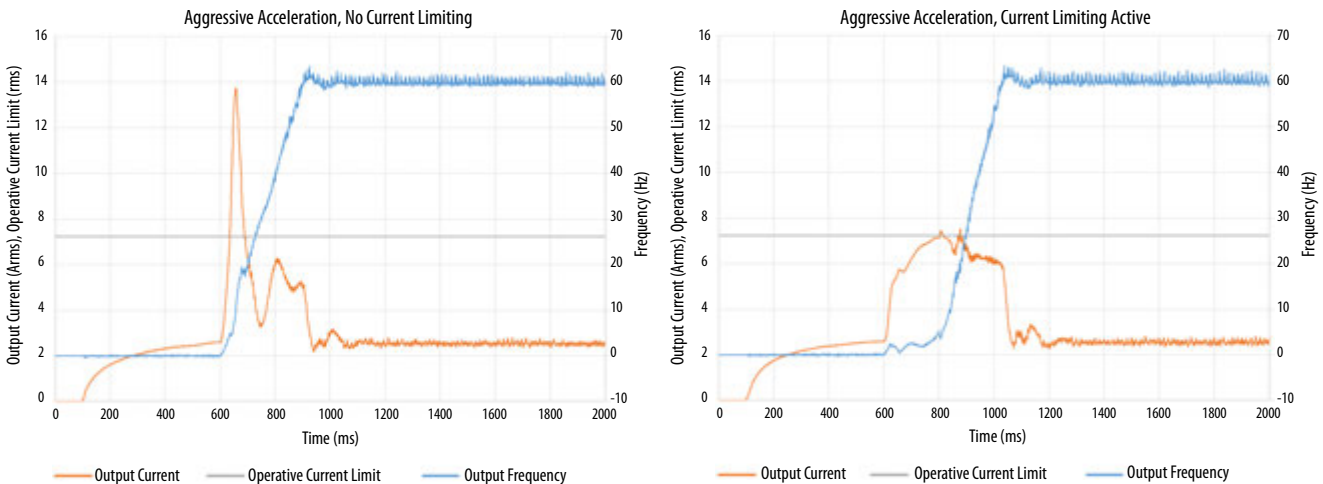
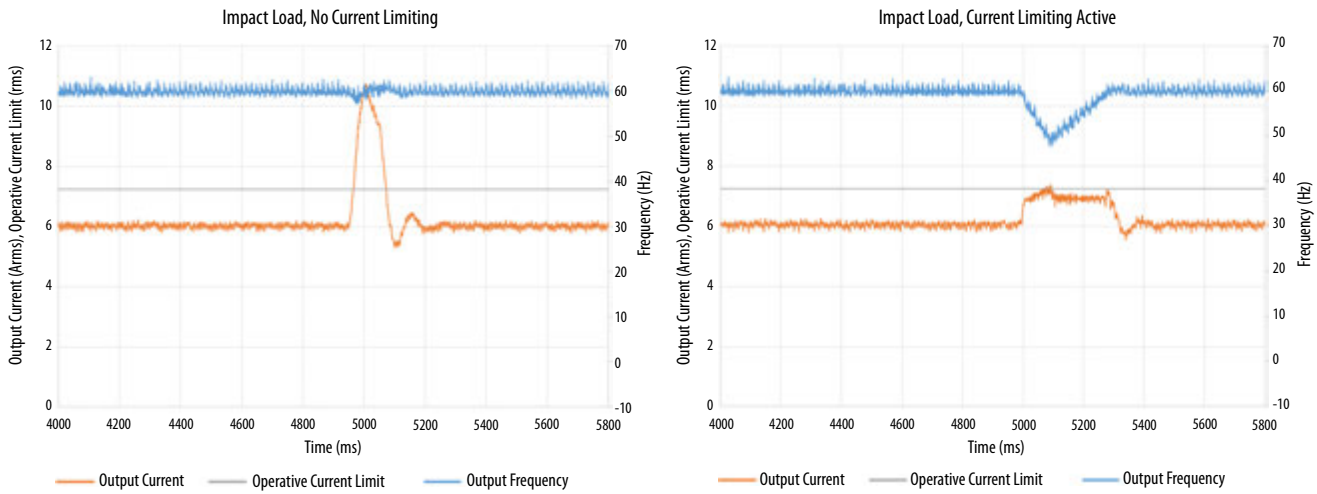


Figure 121 - Effects of Current Limiting on an Impact Load



Current limiting for frequency control is not enabled by default. You can enable via messaging by using the following device-specific attributes.

TIP We recommend you leave the Kp, Ki, Kd gains at the default values.

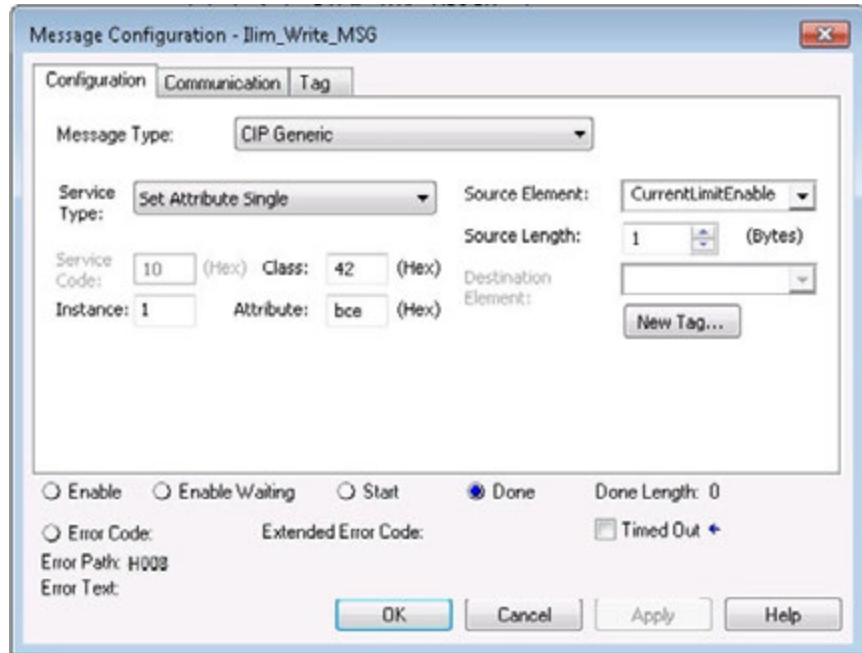
Table 87 - Enable Current Limiting via Messaging

Attribute Offset	Type	Attribute Name	Conditional Implementation	Description
3022	SINT	Current Limiting Enable	Frequency Control Induction Motor only	When enabled, limits the rate of change to the velocity reference during high-current situations for improved current limiting. This feature is only active when executing an MDS command and when configured for Frequency Control. 0 = Current Limiting is disabled 1 = Current Limiting is enabled
3023	REAL	Current Limiting Kd		Derivative gain for the current limiting function. Only functional when configured for Frequency Control and when executing an MDS command. Units of seconds.
3024	REAL	Current Limiting Ki		Integral gain for the current limiting function. Only functional when configured for Frequency Control and when executing an MDS command. Units of feedback counts / (Amp, inst* Seconds).
3025	REAL	Current Limiting Kp		Proportional gain for the current limiting function. Only functional when configured for Frequency Control and when executing an MDS command. Units of feedback counts / Amp, inst.

IMPORTANT For induction motors greater than 5 Hp, it is recommended that the Stability Control feature also be enabled when Current Limiting is enabled.

Enable the Current Limiting Feature

In this example, a Message Configuration (MSG) instruction is configured to enable the CurrentLimitingEnable attribute for axis 1. The Instance field is used to direct the message to the proper axis.



Set the CurrentVectorLimit Attribute Value

For current limiting, the CurrentVectorLimit attribute is used to help determine the OperativeCurrentLimit of the drive. Set the CurrentVectorLimit value to artificially lower OperativeCurrentLimit below the drive or motor peak current limits.

1. Select the Parameter List category and scroll to CurrentVectorLimit.

CoastingTimeLimit	0.0 s	
ConversionConstant	1000000.0	Motion Counts/Position Units
CurrentVectorLimit	100.0	% Motor Rated
FluxUpControl	No Delay	
FluxUpTime	0.0 s	

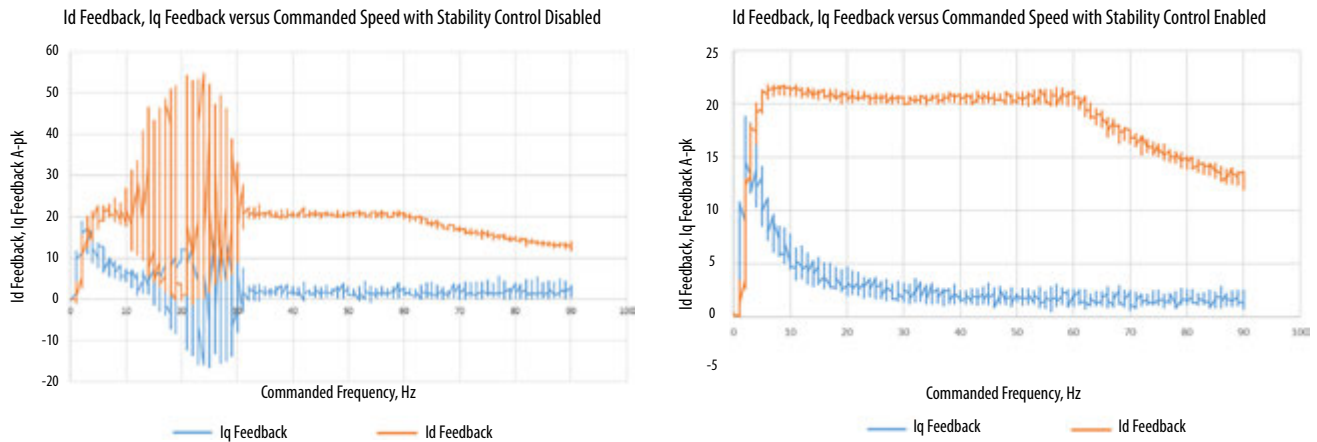
2. Set the CurrentVectorLimit value appropriate for your application.

IMPORTANT The CurrentVectorLimit attribute appears in the Parameter List of the Logix Designer application, version 29.00 and later. If you are using a previous version, the CurrentVectorLimit attribute must be set via a Message Configuration (MSG) instruction.

Stability Control for Frequency Control

Stability control is available for induction motors configured for frequency control. This feature can be used to help remove resonances that are sometimes seen on larger motors. The stability control feature adjusts the OutputFrequency and OutputVoltage commands to stabilize the OutputCurrent.

Figure 122 - Effects of Stability Control



Stability control for frequency control is not enabled by default. You can enable via messaging by using the following device-specific attributes.

TIP We recommend you leave the angle, voltage gains, and filter bandwidth at the default values.

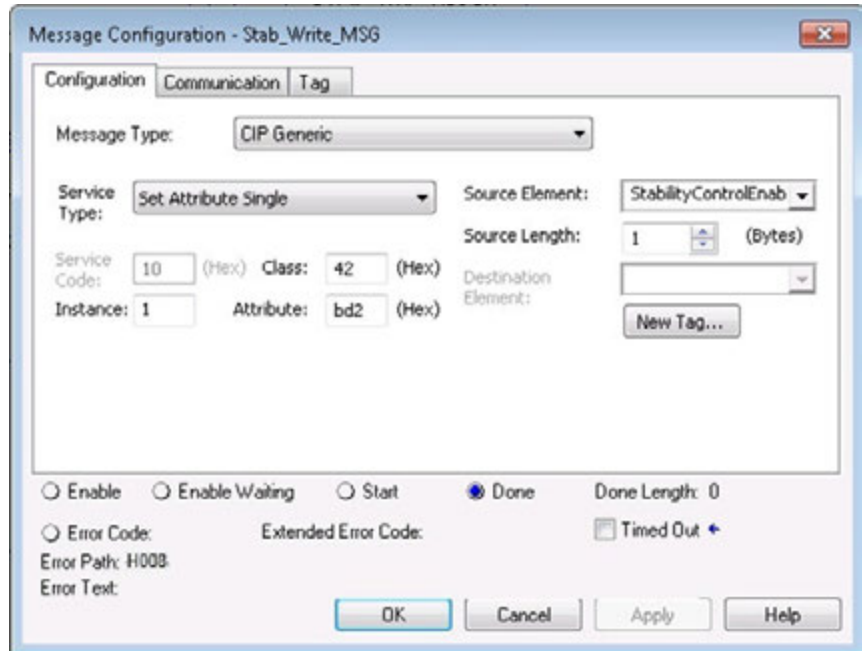
Table 88 - Enable Current Limiting via Messaging

Attribute Offset	Type	Attribute Name	Conditional Implementation	Description
3026	SINT	Stability Control Enable	Frequency Control Induction Motor only	Enables stability control when configured for frequency control. 0 = Stability Control is disabled 1 = Stability Control is enabled
3027	REAL	Stability Filter Bandwidth		Sets the bandwidth of the low-pass filter applied to the current feedback signal. This bandwidth is common to both the angle and voltage stability control algorithms. Units of radians/second.
3028	REAL	Stability Voltage Gain		The gain of the voltage stability control function. Only active when configured for frequency control. Units of Volt (inst,p-n)/Amp (inst).
3029	REAL	Stability Angle Gain		The gain of the electrical angle stability control function. Only active when configured for frequency control. Units of radians/Amp (inst).

IMPORTANT Because the stability control feature works by manipulating the OutputVoltage and OutputFrequency signals, these signals may appear 'noisy' when the feature is enabled.

Enable the Stability Control Feature

In this example, a Message Configuration (MSG) instruction is configured to enable the StabilityControl attribute for axis 1. The Instance field is used to direct the message to the proper axis.

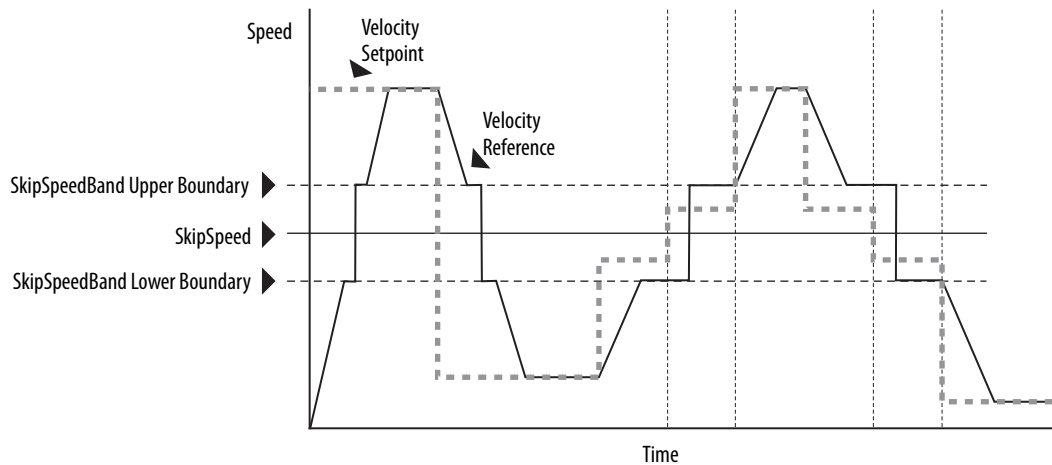


Skip Speeds

Some machines have a resonant operating frequency (vibration speed) that is undesirable or could cause equipment damage. To guard against continuous operation at one or more resonant points, you can configure the skip-speed attributes in the Logix Designer application > Axis Properties > Parameter List category.

The value that is programmed into the SkipSpeed1 or SkipSpeed2 attribute sets the central speed of a skip-speed band within which the drive does not operate. The width of the band is determined by the SkipSpeedBand attribute. The range is split, half above and half below the SkipSpeed x attribute. Any command set-point within this band is adjusted by the skip-speed feature to fall at either the upper or lower skip-speed band boundary value. The skip-speed feature contains hysteresis (25% of the SkipSpeedBand value) to prevent frequent switching of VelocityReference.

Figure 123 - Single Skip Speed Example



A SkipSpeedBand value of 0 disables the skip-speed feature.

IMPORTANT When a single SkipSpeed value is desired, the SkipSpeed1 and SkipSpeed2 settings must be the same.

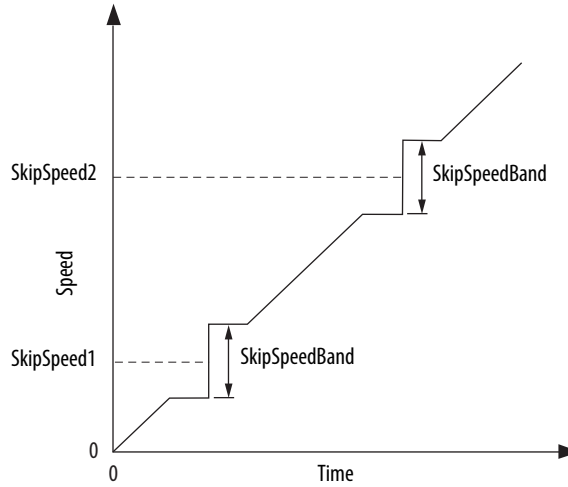
IMPORTANT Acceleration and deceleration are affected by the skip-speed feature. Too large of a SkipSpeedBand value can result in an overcurrent drive fault.

IMPORTANT The MaximumFrequency attribute is always enforced. Skip-speed band boundary values beyond the MaximumFrequency value do not apply.

Multiple Skip Speeds

The Kinetix 5500 drives feature two independent skip-speed attributes (SkipSpeed1 and SkipSpeed2) that use the same SkipSpeedBand.

Figure 124 - Multiple Skip Speed Example

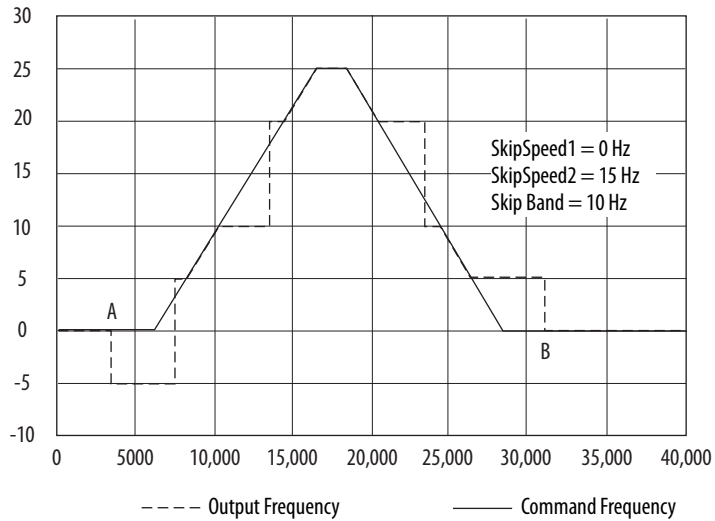


When skip-speed band boundaries of SkipSpeed1 and SkipSpeed2 overlap, the skip-speed hysteresis is calculated using the effective skip band.

In [Figure 125](#), SkipSpeed1 is set to 0 and SkipSpeed2 is set to 15 Hz. The skip band is 10 Hz wide.

At point A the axis is enabled, and the motor begins to rotate at -5 Hz even though the command is 0 Hz. As the command reaches hysteresis point the output frequency begins to follow the command. During deceleration, when the command decreases to 0 Hz, the output frequency continues at 5 Hz until the axis is disabled (point B), or the command is changed outside of the skip band.

Figure 125 - Zero-speed Skip Frequency

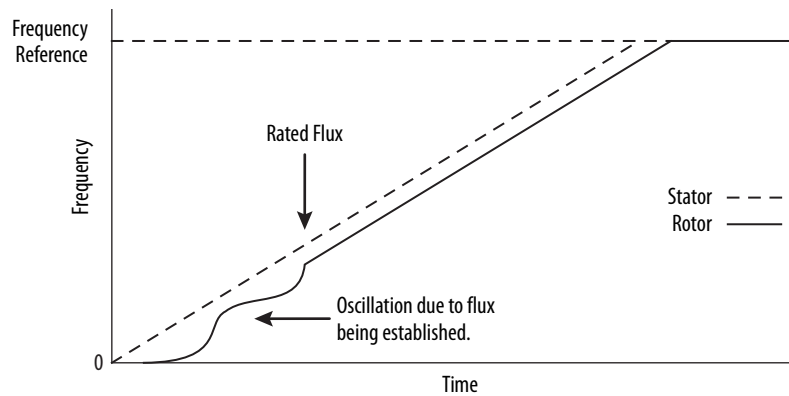


Flux Up

AC induction motors require that flux builds in the motor stator before controlled torque can develop. To build flux, voltage is applied. There are two methods to flux the motor and three configurable FluxUpControl settings.

With the No Delay setting (normal start), flux is established when the output voltage and frequency are applied to the motor. While flux is building, the unpredictable nature of the developed torque can cause the rotor to oscillate even though acceleration of the load can occur. In the motor, the acceleration profile does not follow the commanded acceleration profile due to the lack of developed torque.

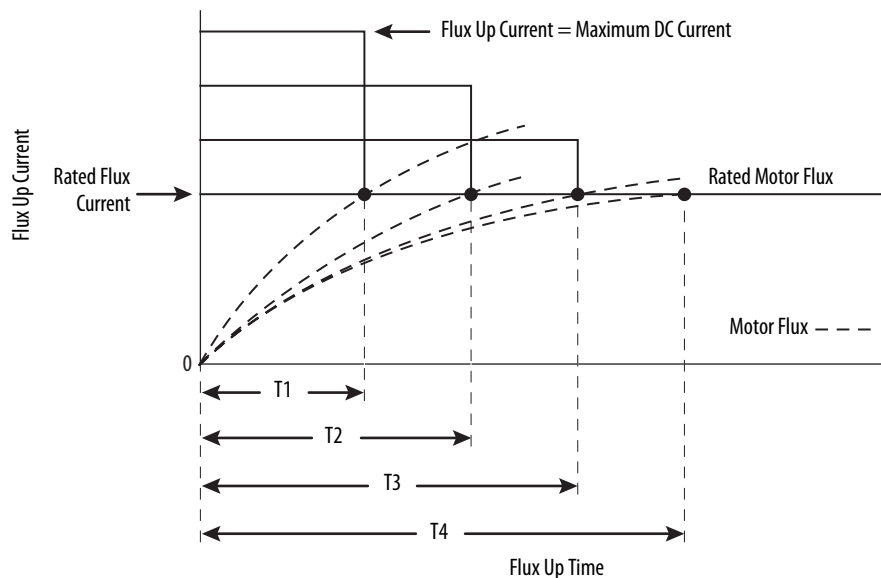
Figure 126 - Acceleration Profile during Normal Start - No Flux Up



With the Automatic setting (default) DC current is applied to the motor so that flux builds before rotation. The flux-up time period is based on the level of flux-up current and the rotor time constant of the motor. The flux-up current is not adjustable.

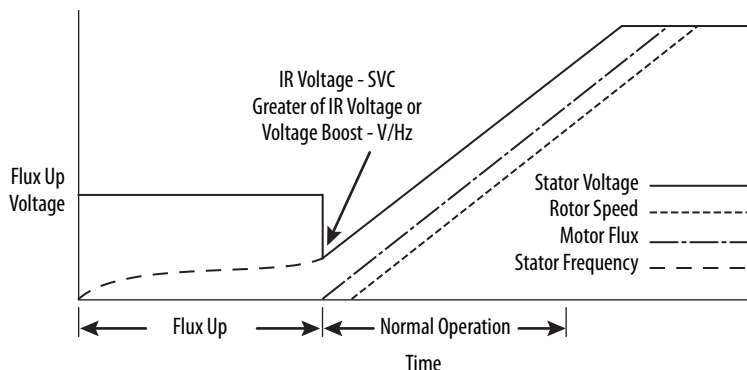
In the Manual setting, DC current is applied to the motor so that flux builds before rotation. The flux-up time period is determined by the FluxUpTime attribute. The flux-up current is not adjustable.

Figure 127 - Flux Up Current versus Flux Up Time



Once rated flux is reached in the motor, normal operation can begin and the desired acceleration profile achieved.

Figure 128 - Rated Flux Reached



Flux Up Attributes

ID	Access	Attribute	Conditional Implementation
558	Set	Flux Up Control	Ind Motor only 0 = No Delay 1 = Manual Delay 2 = Automatic Delay
559	Set	Flux Up Time ⁽¹⁾	Ind Motor only Units: Seconds Default: 0.0000 Min/Max: 0.0000 / 1000.00

(1) This is the time designated for the Manual Delay setting. This attribute is not supported by the Automatic delay method. The flux-up feature is disabled if FluxUpControl is set to Manual Delay and FluxUpTime is set to 0.

FluxUpControl Attribute

When the motion axis is enabled, DC current is applied to an induction motor to build stator flux before transitioning to the Running state. This attribute controls how an induction motor is to be fluxed in the Starting state prior to transitioning to the Running state.

Table 89 - FluxUp Control Delay Methods

Delay Method	Description
No delay	The axis transitions immediately to the Running state while the motor flux is building.
Manual delay	The axis remains in the Starting state while the motor stator flux is building according to the Flux Up Time attribute.
Automatic delay	The drive determines the amount of delay time to fully flux the motor based on the motor configuration attribute data or measurements.

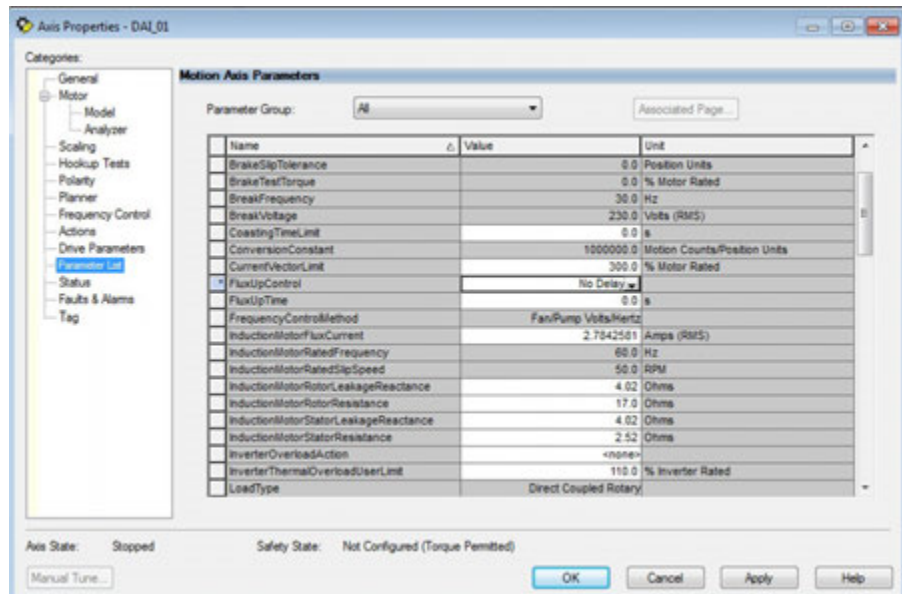
FluxUpTime Attribute

When FluxUpControl is configured for Manual Delay, this attribute sets the length of delay time to fully flux the motor before transitioning to the Running state.

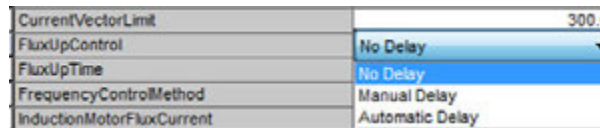
Configure the Flux Up Attributes

Follow these steps to configure the flux-up attributes.

1. In the Controller Organizer, right-click an axis and choose Properties.
2. Select the Parameter List category and scroll to FluxUpControl.



3. From the FluxUpControl pull-down menu, choose the proper delay value appropriate for your application.



4. If you chose Manual Delay in [step 3](#), enter a value in the FluxUpTime attribute appropriate for your application.

If you chose No Delay or Automatic Delay in [step 3](#), the FluxUpTime attribute does not apply.

Current Regulator Loop Settings

Current loop bandwidth is set differently based on the selected motor type.

Table 90 - Current Regulator Loop Settings

Motor Type	Default Torque/Current Loop Bandwidth Hz
Rotary permanent magnet	1000
Rotary interior permanent magnet	
Linear permanent magnet	

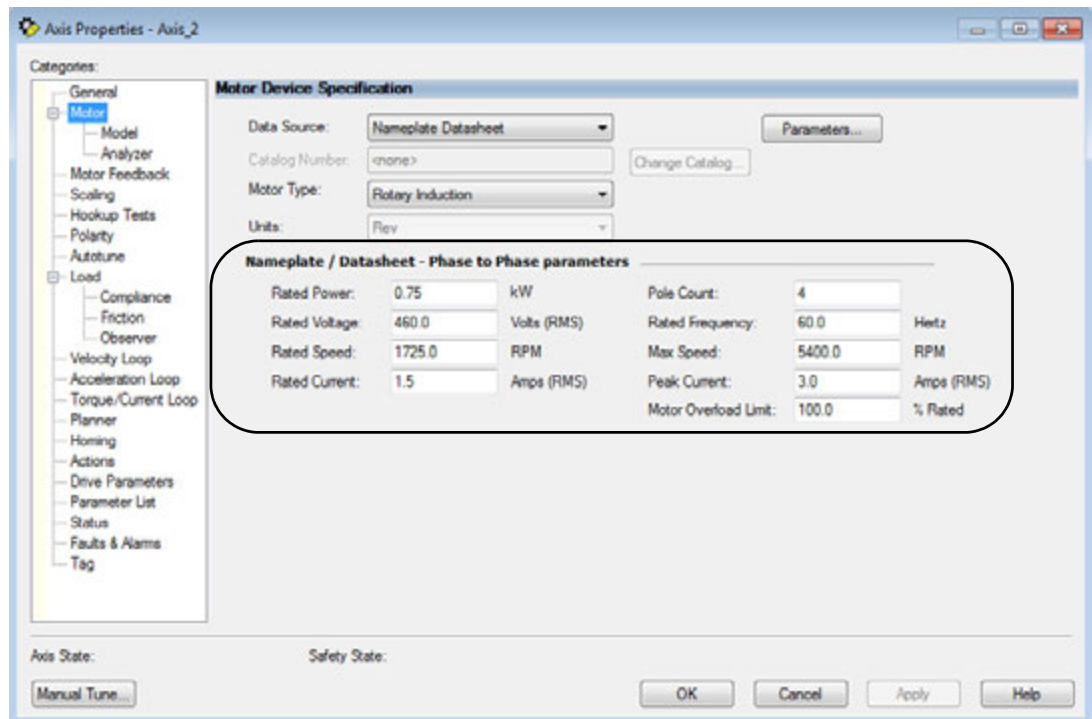
IMPORTANT The Logix Designer application does not perform calculations when the Torque/Current Loop Bandwidth attribute is updated. This bandwidth affects many other gains and limits. Changing, (lowering) the torque loop bandwidth without updating all the dependent attributes can result in drive/motor instability.

Motor Category

From the Motor category you can enter motor nameplate or datasheet values (phase-to-phase parameters) for rotary induction motors.

In this example, the Motor category>Nameplate / Datasheet parameters, were taken from a typical motor performance datasheet. Max Speed and Peak Current values are typically application dependent.

Figure 129 - Motor Nameplate / Datasheet Example



See [Figure 130](#) for motor manufacturer performance data sheet example.

Figure 130 - Motor Manufacturer Performance Data Sheet

CERTIFICATION DATA SHEET
TYPICAL MOTOR PERFORMANCE DATA

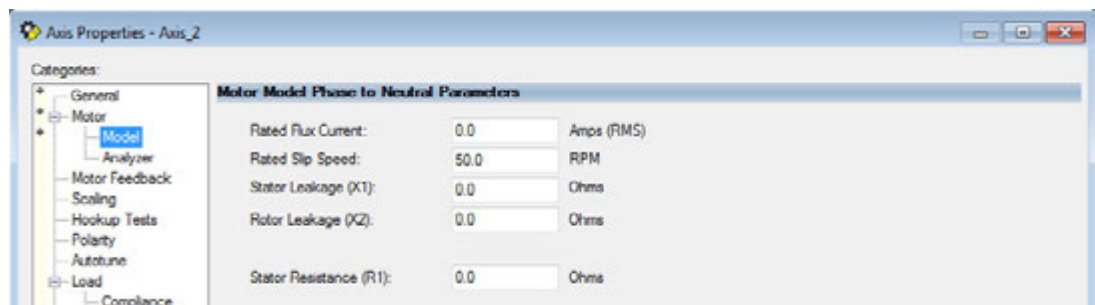
HP	kW	SYNC. RPM	F.L. RPM	FRAME	ENCLOSURE	KVA CODE	DESIGN				
1	.75	1800	1725	56C	TENV	P	A				
PH	Hz	VOLTS	FL AMPS	START TYPE	DUTY	INSL	S.F.	AMB°C	ELEVATION		
3	60	460	1.5	INVERTER ONLY	CONTINUOUS	F3	1.0	40	3300		
FULL LOAD EFF: 84		3/4 LOAD EFF: 82.5		1/2 LOAD EFF: 78.5		GTD. EFF		ELEC. TYPE		NO LOAD AMPS	
FULL LOAD PF: 75		3/4 LOAD PF: 65.5		1/2 LOAD PF: 51		81.5		SQ CAGE INV DUTY		1	
F.L. TORQUE		LOCKED ROTOR AMPS			L.R. TORQUE		B.D. TORQUE		F.L. RISE°C		
3 LB-FT		30 / 15			10.8 LB-FT 360%		15 LB-FT 500%		65		
SOUND PRESSURE @ 3 FT.		SOUND POWER		ROTOR WK ^2		MAX. WK ^2		SAFE STALL TIME		STARTS / HOUR	APPROX. MOTOR WGT
62 dBA		72 dBA		0.11 LB-FT ^2		0 LB-FT ^2		0 SEC.		0	42 LBS.
EQUIVALENT WYE CKT. PARAMETERS (OHMS PER PHASE)											
R1		R2			X1		X2		XM		
8.378		5.6232			10.7068		9.9116		278.036		
RM		ZREF			XR		TD		TD0		
11132.8		284			1.7		0.0071		0.136		

Motor>Model Category

From the Motor>Model category you can enter additional motor nameplate or datasheet values (phase-to-neutral parameters) for induction motors.

The Motor>Model parameters are used in closed-loop induction-motor control mode, sensorless vector control mode, and when FluxUp is enabled, and are estimated automatically by the Logix Designer application based on the motor nameplate data. You can also enter these parameter values directly from the motor nameplate/datasheet or indirectly by running a Motor>Analyzer test.

Figure 131 - Phase-to-Neutral Parameters



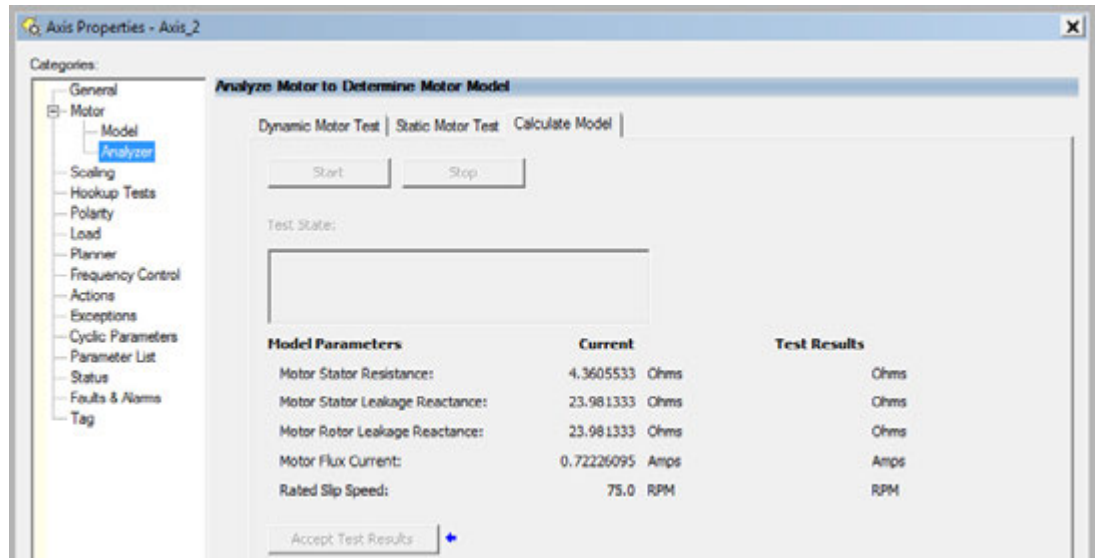
IMPORTANT If you do not know the Stator Leakage, Rotor Leakage, Stator Resistance, Rated Flux Current, and system inertia, you can run the static motor test and Autotune procedure to determine the parameter values.

Motor>Analyzer Category

From the Motor>Analyzer category you can perform three types of tests to identify motor parameters.

In this example, the Calculate Model test was run. If the Motor>Analyzer test executes successfully, and you accept the test values, they populate the Model Parameter attributes.

Figure 132 - Motor Analyzer Category



Motor Tests and Autotune Procedure

You can perform three types of tests to identify motor parameters and one test for motor/system inertia. These parameters are used by sensorless-vector frequency-control and induction motor closed-loop modes. [Table 91](#) recommends which test to use based on the control mode and application.

Table 91 - Motor Tests and Autotune Matrix

Control Mode	Description	Calculate	Static	Dynamic	Autotune (inertia test)
Induction motor - Frequency control	Basic volts/hertz	Not required	Not required	Not required	Not required
	Basic volts/hertz for Fan/Pump	Not required	Not required	Not required	Not required
	Sensorless vector	Required ⁽¹⁾	Preferred	Not required	Not required

(1) Not required for the Logix Designer application, version 29.00 and later.

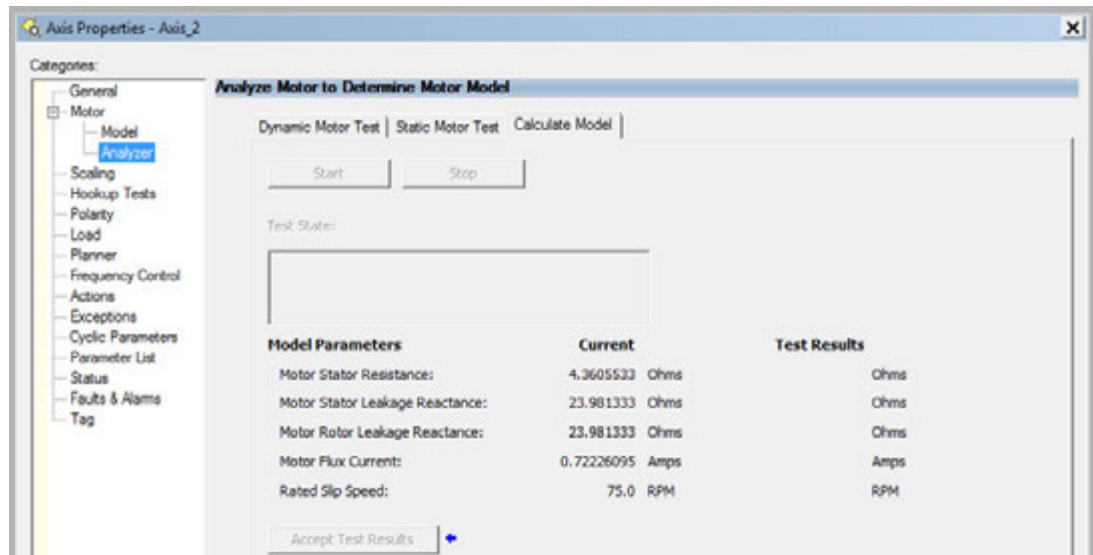
For motor/system autotune procedure, see [Tune Induction Motors](#) on [page 153](#) for more information.

The Motor>Analyzer category offers three choices for calculating or measuring electrical motor data.

Follow these steps to run motor tests and identify motor parameters.

1. In the Controller Organizer, right-click an axis and choose Properties.
2. Select the Motor>Analyzer category.

Nameplate data was entered on [page 242](#). The nameplate data must be entered before running the Calculate test.



3. Click Start to run the test.
4. Click Accept Test Results to save the values.
5. Click OK.

Motor Analyzer Category Troubleshooting

Calculate Model

When a Calculate test is run, the drive uses motor nameplate data to estimate the motor's Rated Flux Current, Stator Resistance (R_s), Stator Leakage Reactance (X_1) and Rotor Leakage Reactance (X_2). The drive also calculates the rated slip speed based on rated speed and rated frequency. No measurements are taken when using the Calculate test.

Static Motor Test

Use the Static test if the motor shaft cannot rotate or if it is already coupled to the load. Only tests that do not create motor movement are run. During this test, the Stator Resistance (R_s), Stator Leakage Reactance (X_1), and Rotor Leakage Reactance (X_2) values are measured during a series of static tests. The Rated Flux Current is estimated, since measurement of this value requires

motor movement. The drive also calculates the rated slip speed based on rated speed and rated frequency.

The Static test requires that you enter initial estimates for Rated Flux Current, Rated Slip Speed, Stator Resistance (Rs), Stator Leakage Reactance (X1), and Rotor Leakage Reactance (X2) into the Motor Model fields.

- For the Logix Designer application, version 29.00 or later, initial estimates are populated by the controller.
- For the Logix Designer application, version 28.00 or earlier, this can be done by running and accepting the results of a Calculate test, or by entering the values directly into the Logix Designer application.

Dynamic Motor Test

Dynamic tests are run with the motor disconnected from the load because the motor shaft turns and there are no travel limits. This is often the most accurate test method. During this test, the Stator Resistance (Rs), Stator Leakage Reactance (X1) and Rotor Leakage Reactance (X2) values are measured in a series of static tests. The Rated Flux Current is measured during a rotational test, in which the drive commands 75% of the motor rated speed.

The rated slip speed is measured during a second rotational test, in which the drive commands a speed (default of 100% of the motor rated speed) and set a torque limit (default of 50% of the motor rated torque). This quickly accelerates the motor to rated speed and then decelerates back to zero speed.

IMPORTANT The Dynamic test does not support travel limits.

The Dynamic test also requires that you enter initial estimates for Rated Flux Current, Rated Slip Speed, Stator Resistance (Rs), Stator Leakage Reactance (X1), and Rotor Leakage Reactance (X2) into the Motor Model fields.

- For the Logix Designer application, version 29.00 or later, initial estimates are automatically populated by the controller.
- For the Logix Designer application, version 28.00 or earlier, this can be done by running and accepting the results of a Calculate test, or by entering the values directly into the Logix Designer application.

The Dynamic test uses the Ramp Acceleration and Ramp Deceleration attributes to set the rotational test ramp-up and ramp-down times. If the resulting acceleration/deceleration times are less than 10 seconds, 10 seconds is used. If these attributes are not supported, 10 seconds is also used.

The Dynamic test also uses the IM Slip Test Velocity Command (percent of rated speed) and IM Slip Test Torque Limit (percent of rated torque) attributes to define the motion profile for the slip measurement. The default values are 100.0 and 50.0 respectively. The speed command dictates the speed that the motor spins up to and the torque dictates how quickly the motor reaches that speed. In general, A higher speed and lower torque results in a longer acceleration and a more accurate rated slip speed. However, be aware

that the dynamic test will not return expected results if the torque limit is set below 30.0.

Table 92 - Slip Test via Messaging

Attribute Offset	Type	Attribute Name	Conditional Implementation	Description
3095	REAL	IM Slip Test Torque Limit	Closed loop induction motor only	Sets positive and negative torque limits for the slip test within the Dynamic motor test (similar to the torque limits in the inertia test). Units are in percent of rated torque.
3096	REAL	IM Slip Test Velocity Command		Sets the velocity command for the slip test within the Dynamic motor test, (similar to the velocity command in the inertia test). Units are in percent of motor rated speed.

The Dynamic test requires the Positive and Negative Torque Limits for said axis are not over-written while the test is in progress. This can be satisfied by making sure that (1) these cyclic attributes are not checked as writable within the Drive Parameters tab of the axis properties and (2) these parameters are not being messaged via an MSG instruction.

When configured for closed-loop control, the Dynamic test requires that an accurate system inertia is set in the Logix Designer application.

- For the Logix Designer application, version 29.00 or later, a default value is automatically populated by the controller.
- For the Logix Designer application, version 28.00 or earlier, this can be done by running and accepting the results of an Autotune test, or by entering the motor inertia value directly into the Logix Designer application.

When configured for closed-loop control, the Dynamic test uses the velocity regulator tuning as entered into the Logix Designer application. If the motor is coupled to a load, the velocity regulator tuning may need to be adjusted to make sure the velocity response is well controlled. The Dynamic test fails if the steady-state velocity feedback is not within a $\pm 30\%$ tolerance of the commanded velocity.

IMPORTANT The Dynamic test is not supported in closed-loop Torque Control.

If using the Dynamic test in Frequency Control mode, uncouple the motor from any load or results may not be valid. In closed-loop control, either a coupled or uncoupled load produces valid results.

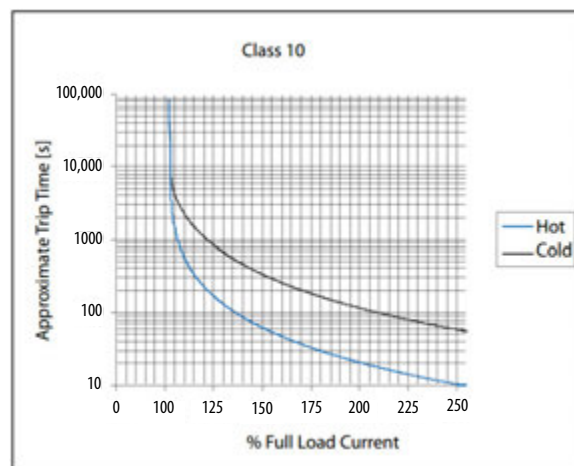
Selection of Motor Thermal Models

The Kinetix 5500 drives contain two motor thermal-overload protection algorithms that you can use to prevent the motor from overheating.

Generic Motors

The default thermal model is a generic I^2T Class 10 overload protection algorithm. This model is active if the `MotorWindingToAmbientResistance` or the `MotorWindingToAmbientCapacitance` values are 0.0. The purpose of this algorithm is to limit the time a motor is operating with excessive levels of current. The relationship between Motor Overload Factory Limit trip-time and motor output current is shown in [Figure 133](#).

Figure 133 - Motor Overload Curve



You can use the `MotorOverloadLimit` attribute (default of 100%, max of 200%) to increase the motor overload trip-time by artificially increasing the motor rated current (for thermal protection only). `MotorOverloadLimit` should only be increased above 100% if cooling options are applied. Increasing `MotorOverloadLimit` causes `MotorCapacity` to increase more slowly.

The generic motor thermal model also derates the motor rated current (for thermal protection only) when operating at low speeds. The derating factor is 30% at 0 Hz and 0% at 20 Hz, with linear interpolation between. Operating at output frequencies less than 20 Hz causes `MotorCapacity` to increase more quickly.

When the generic motor thermal-model is active, the `MotorCapacity` attribute increases only if the motor output current is greater than the effective motor rated current (taking into account the `MotorOverloadLimit` and low speed derating factor). The default `MotorThermalOverloadFactoryLimit` and `MotorThermalOverloadUserLimit` values for this thermal model are both 100%.

IMPORTANT The generic motor-thermal model does not support Current Foldback as a Motor Overload Action.

Thermally Characterized Motors

If the `MotorWindingToAmbientResistance` and `MotorWindingToAmbientCapacitance` attribute values are both non-zero, the motor is considered thermally characterized and an alternate motor thermal model is run. The purpose of this algorithm is to limit the time a motor is operating with excessive levels of current. This thermal model uses the first-order time constant determined from the `MotorWindingToAmbientResistance` and `MotorWindingToAmbientCapacitance` values to estimate the motor thermal capacity based on the motor output current.

The `MotorOverloadLimit` attribute (default of 100%, max of 200%) can be used to increase the motor overload trip-time by increasing the `MotorThermalOverloadFactoryLimit` value. The `MotorOverloadLimit` should be increased above 100% only if cooling options are applied. Increasing `MotorOverloadLimit` does not change the behavior of `MotorCapacity`.

This thermal model supports setting the `MotorOverloadAction` attribute as `Current Foldback`. Selecting the `Current Foldback` action results in a reduction in the current reference via the `MotorThermalCurrentLimit` attribute value that is reduced in proportion the percentage difference between the `MotorCapacity` and the `MotorOverloadLimit` values.

When this thermal model is active, the `MotorCapacity` attribute is non-zero if the motor output current is non-zero. The default `MotorThermalOverloadFactoryLimit` and `MotorThermalOverloadUserLimit` values for this thermal model are both 110%.

IMPORTANT This thermal model does not derate the motor-rated current when operating at low speeds. Operating at low output frequencies does not cause the `MotorCapacity` behavior to change.

Speed Limited Adjustable Torque (SLAT)

Speed limited adjustable torque (SLAT) is a special mode of operation used primarily in web handling applications. While configured for SLAT, the drive typically operates as a torque regulator. The drive can automatically enter velocity regulation based on conditions within the velocity regulator and the magnitude of the velocity regulator's output, relative to the applied TorqueTrim attribute.

A torque regulated application can be described as any process requiring tension control. For example, a winder or unwinder with material being drawn or pulled with a specific tension required. The process also requires that another element set the speed.

When operating as a torque regulator, the motor current is adjusted to achieve the desired torque. If the material being wound or unwound breaks, the load decreases dramatically and the motor can potentially go into a runaway condition.

The SLAT feature is used to support applications that require a robust transition from torque regulation to velocity regulation (and vice versa). The SLAT feature can be configured via the SLATConfiguration attribute as:

Table 93 - SLAT Configuration Descriptions

Name	Description
SLAT Disable	SLAT function is disabled. Normal Velocity Loop operation.
SLAT Min Speed/Torque	Drive automatically switches from Torque regulation to Velocity regulation if VelocityError < 0 and switches back to Torque regulation if VelocityError > SLATSetPoint for SLATTimeDelay.
SLAT Max Speed/Torque	Drive automatically switches from Torque regulation to Velocity regulation if VelocityError > 0 and switches back to Torque regulation if VelocityError < SLATSetPoint for SLATTimeDelay.

Direction of the applied torque and direction of the material movement determine whether SLAT minimum or SLAT maximum mode should be used.

Motion Polarity Setting

The Motion Polarity setting in the Logix Designer application > Axis Properties > Polarity does not affect SLAT behavior, however, you may require clarification on whether to use the SLAT Min Speed/Torque or SLAT Max Speed/Torque configuration when Motion Polarity is set to Inverted. In this case, the velocity error displayed in the Logix Designer application is inverted compared to what is actually used by the axis to control the SLAT function. So, if the SLAT configuration is set to Min and then Motion Polarity is switched to Inverted, change the SLAT configuration to Max.

Table 94 - SLAT Operation When Motion Polarity Is Inverted

Velocity Command	Motion Polarity	SLAT Configuration
Positive (clockwise)	Normal	Min
	Inverted	Max
Negative (CCW)	Normal	Min
	Inverted	Max

SLAT Min Speed/Torque

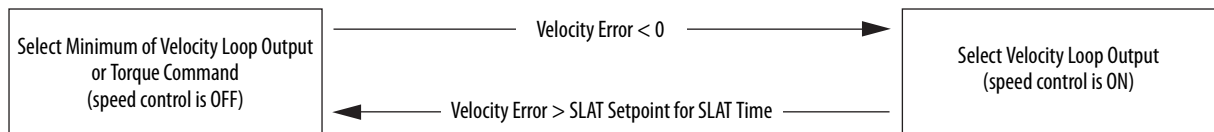
SLAT Min Speed/Torque is a special mode of operation primarily used in web handling applications. The drive typically operates as a torque regulator, provided that the TorqueTrim attribute is less than the torque output due to the velocity regulator's control effort. The drive can automatically enter velocity regulation based on conditions within the velocity regulator and the magnitude of the velocity regulator's output relative to the torque reference.

When used for SLAT control, an application dependent VelocityCommand value is applied to the drive via an MAJ instruction. An application dependent TorqueTrim value is also applied via cyclic write. Under normal operation, VelocityCommand is set to a level that results in the velocity regulator's control effort becoming saturated when the motor's speed is mechanically limited. The TorqueReference value equals the TorqueTrim value, resulting in a positive VelocityError value.

Should the mechanical speed limitation be removed (example: web break), the motor accelerates and VelocityError becomes negative. At this time, a forced transition to velocity regulation occurs, and the motor's speed is regulated to the VelocityCommand attribute.

The axis remains in velocity regulation until VelocityError exceeds SLATSetPoint for a time specified by SLATTimeDelay. At this point, the axis returns to operating as a torque regulator.

Figure 134 - SLAT Min Speed/Torque



See the Integrated Motion on the EtherNet/IP™ Network Reference Manual, publication [MOTION-RM003](#), for more information on SLAT attributes.

SLAT Max Speed/Torque

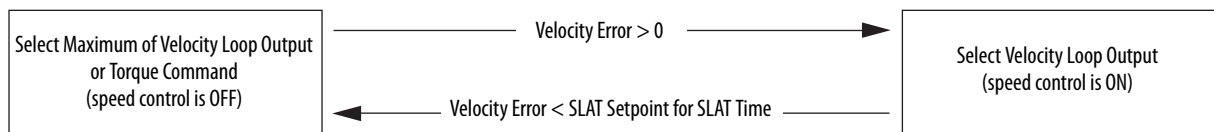
SLAT Max Speed/Torque is a special mode of operation primarily used in web handling applications. The drive typically operates as a torque regulator, provided that the TorqueTrim attribute is greater than the torque output due to the velocity regulator's control effort. The drive can automatically enter velocity regulation based on conditions within the velocity regulator and the magnitude of the velocity regulator's output relative to the torque reference.

When used for SLAT control, an application dependent VelocityCommand value is applied to the drive via an MAJ instruction. An application dependent TorqueTrim value is also applied via cyclic write. Under normal operation, VelocityCommand is set to a level that results in the velocity regulator's control effort becoming saturated when the motor's speed is mechanically limited. The TorqueReference value equals the TorqueTrim value, resulting in a negative VelocityError value.

Should the mechanical speed limitation be removed (example: web break), the motor accelerates and VelocityError becomes positive. At this time, a forced transition to velocity regulation occurs, and the motor's speed is regulated to the VelocityCommand attribute.

The axis remains in velocity regulation until VelocityError is less than SLATSetPoint for a time specified by SLATTimeDelay. At this point, the axis returns to operating as a torque regulator.

Figure 135 - SLAT Max Speed/Torque



See the Integrated Motion on the EtherNet/IP Network Reference Manual, publication [MOTION-RM003](#), for more information on SLAT attributes.

SLAT Attributes

ID	Access	Attribute	Conditional Implementation
833	Set	SLAT Configuration	0 = SLAT Disable ⁽¹⁾ 1 = SLAT Min Speed/Torque 2 = SLAT Max Speed/Torque
834	Set	SLAT Set Point	Velocity Units
835	Set	SLAT Time Delay	Seconds

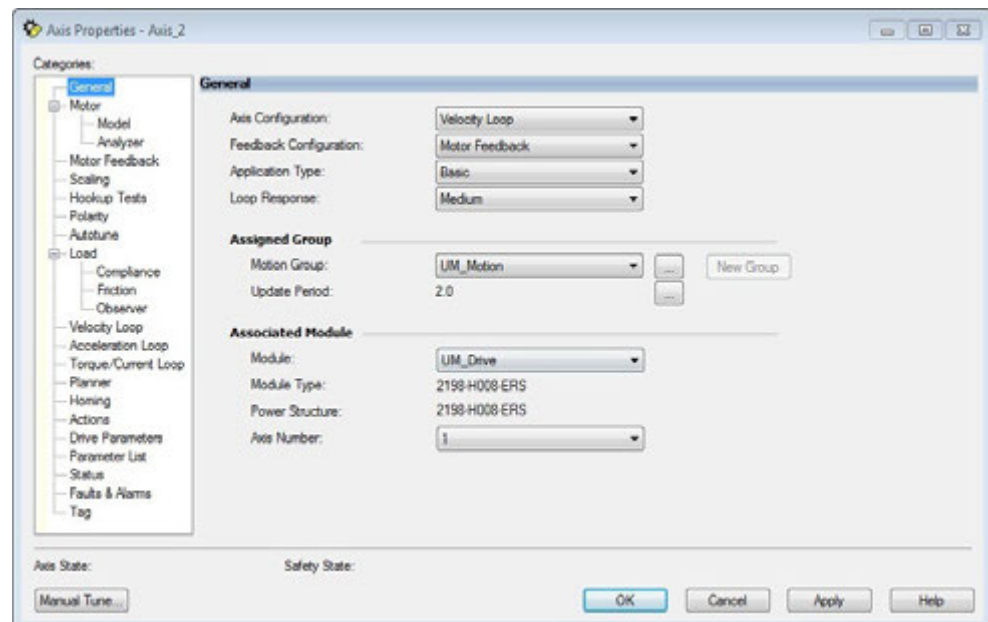
(1) SLAT Disable, when viewed in version 28.00 (and earlier) of the Logix Designer application, reads Torque Only.

Configure the Axis for SLAT

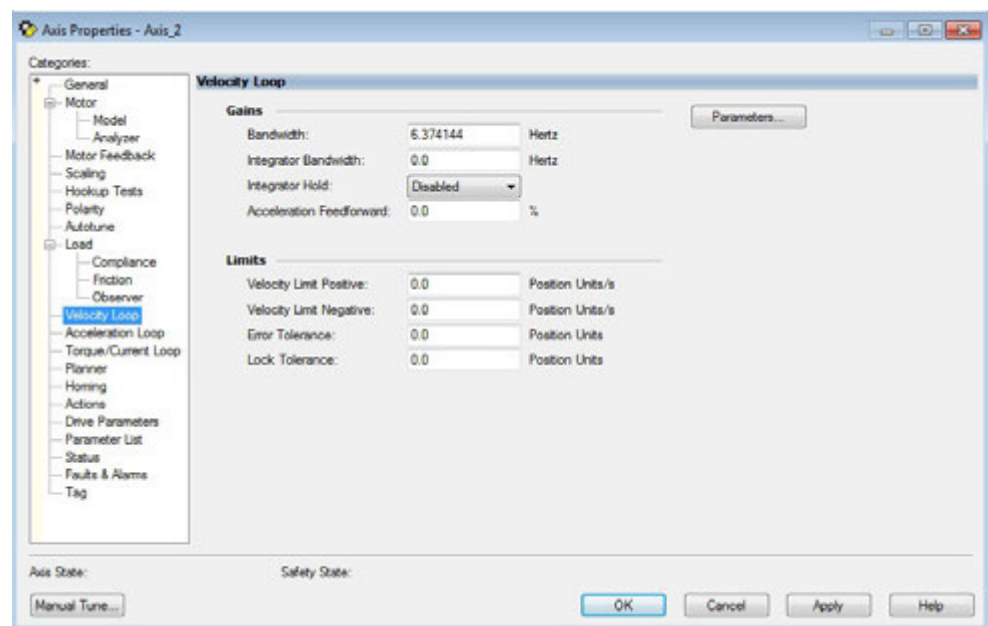
Follow these steps to configure the SLAT attributes.

1. In the Controller Organizer, right-click an axis and choose Properties.
2. Select the General category.

The General dialog box appears.



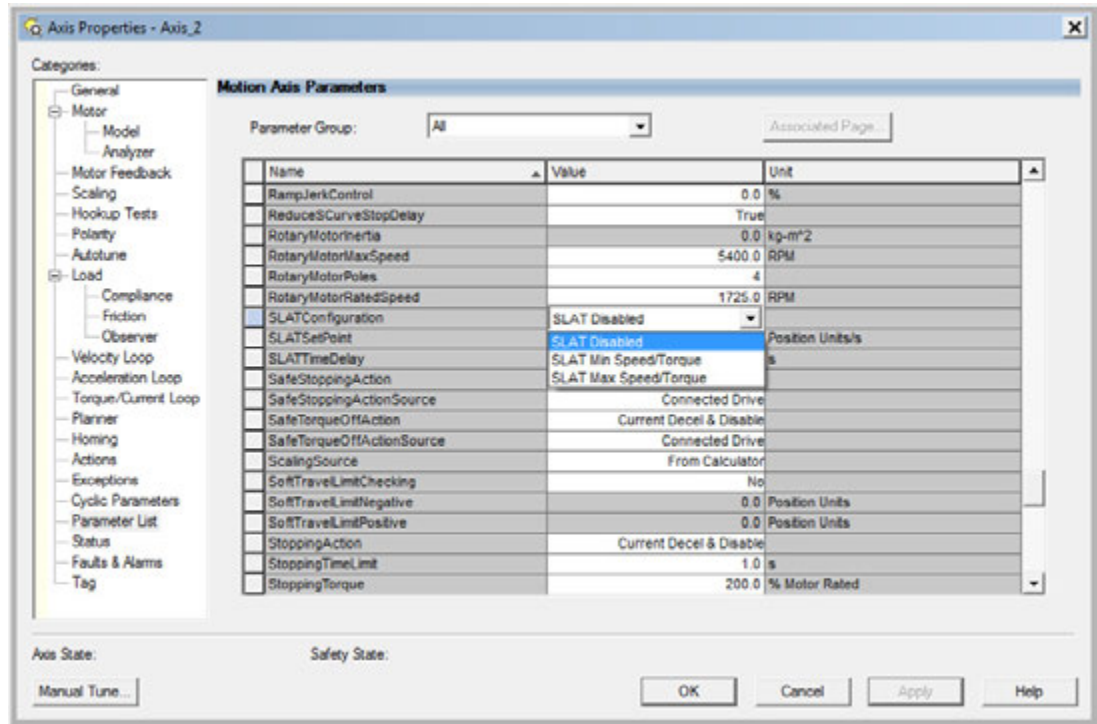
3. From the Axis Configuration pull-down menu, choose Velocity Loop.
The Velocity Loop dialog box appears.



4. Enter values for the Velocity Loop attributes appropriate for your application.

5. Click Apply.
6. Select the Parameters List category.

The Motion Axis Parameters dialog box appears.



7. From the SLATConfiguration pull-down menu, choose the SLAT configuration appropriate for your application.

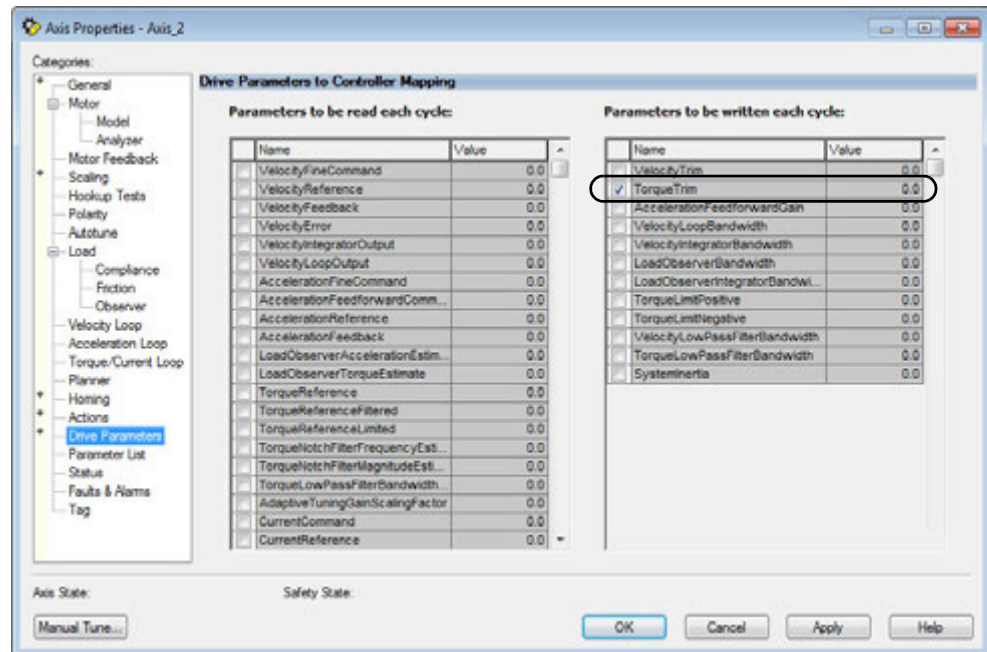
IMPORTANT SLAT parameters are configurable only when Velocity Loop is chosen from the General category, Axis Configuration pull-down menu.

8. Click Apply.
9. Enter values for SLATSetPoint and SLATTimeDelay attributes appropriate for your application.

SLATConfiguration	SLAT Max Speed/Torque	
SLATSetPoint	0.0	Position Units/s
SLATTimeDelay	0.0	s

10. Click OK.
11. Select the Drive Parameters category.

The Drive Parameters to Controller Mapping dialog box appears.



When using SLAT with Kinetix 5500 drives, the velocity command is sent to the drive via an MAJ instruction. The torque command is sent via the cyclic write TorqueTrim attribute. See the Integrated Motion on the EtherNet/IP Network Reference Manual, publication [MOTION-RM003](#), for more information on cyclic read and cyclic write.

For MAJ instructions:

- When using SLAT, start the axis with the MSO instruction.
- The VelocityCommand is sent via the MAJ instruction.
- The TorqueCommand is sent to AxisTag.TorqueTrim.
- To make changes to the VelocityCommand, you must re-trigger the MAJ with the Speed value or use a MCD (motion change dynamics) instruction.
- To stop the axis use a MAS instruction.
- The axis accelerates and decelerates at the MAJ instruction programmed Acceleration and Deceleration rates.
- You can also change the rates using the MCD instruction.

Motor Overload Retention

The motor overload retention feature protects the motor in the event of a drive power-cycle, in which the motor thermal state is lost.

With motor overload retention, upon drive power-up the MotorCapacity attribute initially reads:

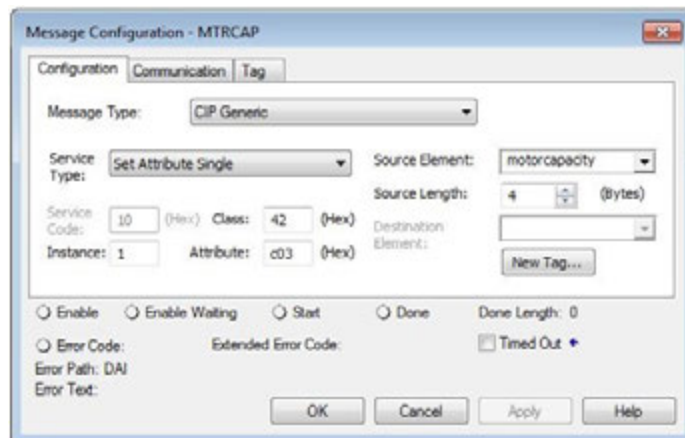
- 20% if the motor is configured to use an integral thermal switch or an integral motor winding temperature is available
- 50% if the motor is not configured to use an integral thermal switch or an integral motor winding temperature is not available

If you have a separate monitoring algorithm within your Logix 5000™ controller, you can use the InitialMotorCapacity attribute (3075)₁₀ or (C03)₁₆ to change the initial MotorCapacity value that the motor overload retention feature populates.

- You can write to the InitialMotorCapacity attribute only in the Stopped state after power-up
- You cannot write to the InitialMotorCapacity attribute after the first time the axis is enabled following a power cycle.

Use a message instruction to write to the InitialMotorCapacity value.

In this example, the source element tag motorcapacity is a REAL Data type.



Phase Loss Detection

The phase-loss detection feature is designed to determine if motor power wiring is electrically connected to a motor and that reasonable current control exists. This attribute enables the operation of the drive's torque proving functions that work in conjunction with mechanical brake control.

When the ProvingConfiguration attribute is enabled, the drive performs a torque prove test of the motor current while in the Starting state to prove that current is properly flowing through each of the motor phases before releasing the brake. If the torque prove test fails, the motor brake stays engaged and a FLT-S09 Motor Phase Loss exception (fault) is generated.

IMPORTANT The mechanical brake must be set as soon as the drive is disabled. When the brake is under the control of the axis state machine, this is automatic. But, when controlled externally, failure to set the brake when the drive is disabled can cause a free-fall condition on a vertical application.

Table 95 - Phase-loss Detection Startup Sequence

Startup Phase	Description
Phase 1	When the drive receives an enable request, the Starting state begins execution and torque proving starts.
Phase 2	The torque proving feature ramps current to the motor-phase output connector and verifies that the current feedback circuitry detects current on each of the phases.
Phase 3	Once motor-current feedback has been verified in each motor phase, the drive attempts to enable the current control loop at a user-specified current level, and verifies that the current-loop error tolerance is within range.

Torque proving is available for all motoring configurations including closed-loop servo control and induction motors.

For permanent magnet (PM) motors, the drive attempts to apply current to the motor phases such that all current through the motor is flux current. However, due to the electrical angle of the motor at the time of the MSO instruction, it may not be possible to verify the motor phase wiring with only flux current. Therefore, with a PM motor it is possible that the motor shaft can move slightly during torque proving if no motor brake exists to hold the load.

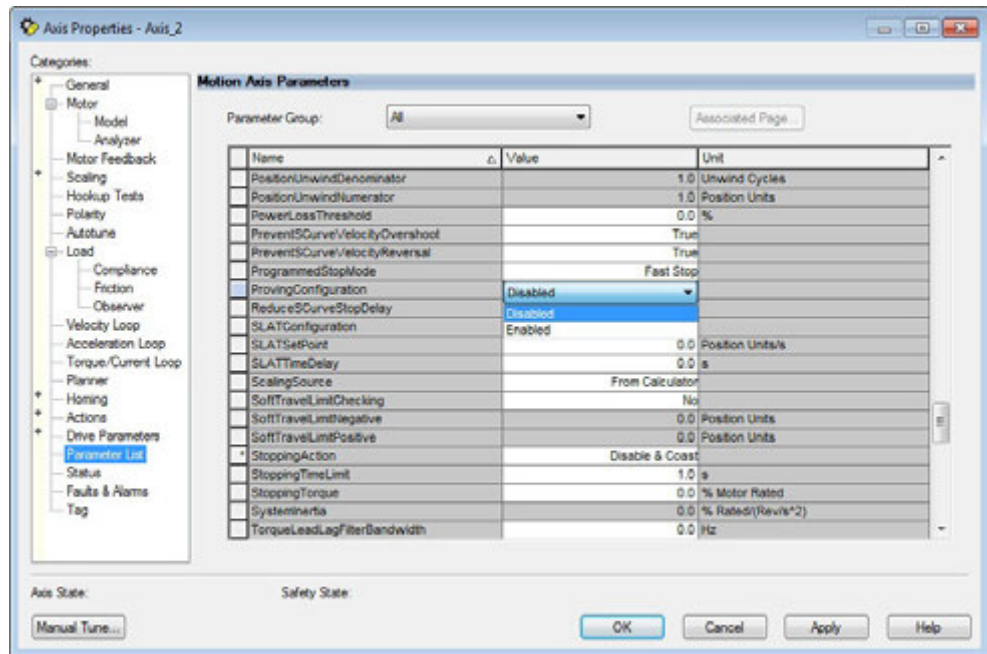
Phase-loss Detection Attributes

ID	Access	Attribute	Conditional Implementation
590	SSV	ProvingConfiguration	0 = Disabled 1 = Enabled
591	SSV	TorqueProveCurrent	% Motor Rated Units: Amps Default: 0.000 Min/Max: 0/10,000

Phase-loss Detection Configuration

Follow these steps to configure the phase-loss detection attributes.

1. In the Controller Organizer, right-click an axis and choose Properties.
2. Select the Parameter List category and scroll to ProvingConfiguration.



3. From the ProvingConfiguration pull-down menu, choose Enabled to enable the torque proving feature.

TorqueOffset	0.0	% Motor Rated
TorqueProveCurrent	0.0	% Motor Rated
TorqueRateLimit	1000000.0	% Motor Rated/s

4. Enter a value in the TorqueProveCurrent attribute appropriate for your application.
5. Click OK.

The TorqueProveCurrent attribute is active only if ProvingConfiguration is set to Enabled. TorqueProveCurrent lets you specify the amount of current that is used during the torque proving test and calculated as a percentage of motor rating. The higher the TorqueProveCurrent value the more current the drive delivers to the motor to verify that the motor phase wiring is available and capable of that current level. High current levels conversely cause more thermal stress and (potentially) can cause more torque to be driven against the motor brake during the test. If the TorqueProveCurrent level selected is too small, the drive cannot distinguish the proving current from noise, and in this case the drive posts an INHIBIT M04 torque-proving configuration fault code. The minimum amount of torque proving current depends on catalog number of the drive.

Phase Loss Detection Current Example

In this example, a 2198-H025-ERSx servo drive is paired with a VPL-B1003T-C motor with 6.77 A rms rated current. Use the phase-loss detection equation and table to calculate the initial minimum torque-proving current as a percentage of motor rated current. Depending on the unique characteristics of your application, the required torque-proving current value can be larger than the initial recommended value.

Figure 136 - Phase-loss Detection Equation

$$\left(\frac{\text{Rating From Table}}{\text{Motor Rated Current}} \right) \times 100\% = \frac{0.5746 \text{ A}}{6.77 \text{ A}} \times 100\% = 8.49\%$$

Table 96 - Recommended Phase-loss Detection Current

Drive Cat. No.	Phase-loss Detection Current, min A, rms
2198-H003-ERSx	0.2514
2198-H008-ERSx	0.6285
2198-H015-ERSx	1.257
2198-H025-ERSx	2.011
2198-H040-ERSx	3.268
2198-H070-ERSx	5.782

Velocity Droop

The velocity droop function can be useful when some level of compliance is required due to rigid mechanical coupling between two motors. The feature is supported when the axis is configured for Frequency Control, Velocity Control, or Position Control.

Closed Loop Control

The closed-loop velocity droop function is supported when configured for either Velocity or Position control. The velocity error input to the integral term is reduced by a fraction of the velocity regulator's output, as controlled by the VelocityDroop attribute. Therefore, as torque loading on the motor increases, actual motor speed is reduced in proportion to the droop gain. This is helpful when some level of compliance is required due to rigid mechanical coupling between two motors.

IMPORTANT The closed-loop velocity droop function acts to reduce the velocity error input to the integral term, but never changes the polarity of the velocity error.

IMPORTANT When configured for closed-loop control, the units of the VelocityDroop attribute are Velocity Control Units / Sec / % Rated Torque.

Frequency Control

The velocity droop function is also supported when configured for Frequency Control. As the estimated I_q current within the motor increases, the velocity reference is reduced in proportion to the VelocityDroop attribute. Therefore, as torque loading on the motor increases, actual motor speed is reduced in proportion to the droop gain. This is helpful when some level of compliance is required due to rigid mechanical coupling between two motors.

IMPORTANT The frequency-control velocity droop function acts to reduce the velocity reference, but never changes the direction of the velocity reference.

IMPORTANT When configured for frequency control, the units of the VelocityDroop attribute are Velocity Control Units / Sec / % Rated I_q Current.

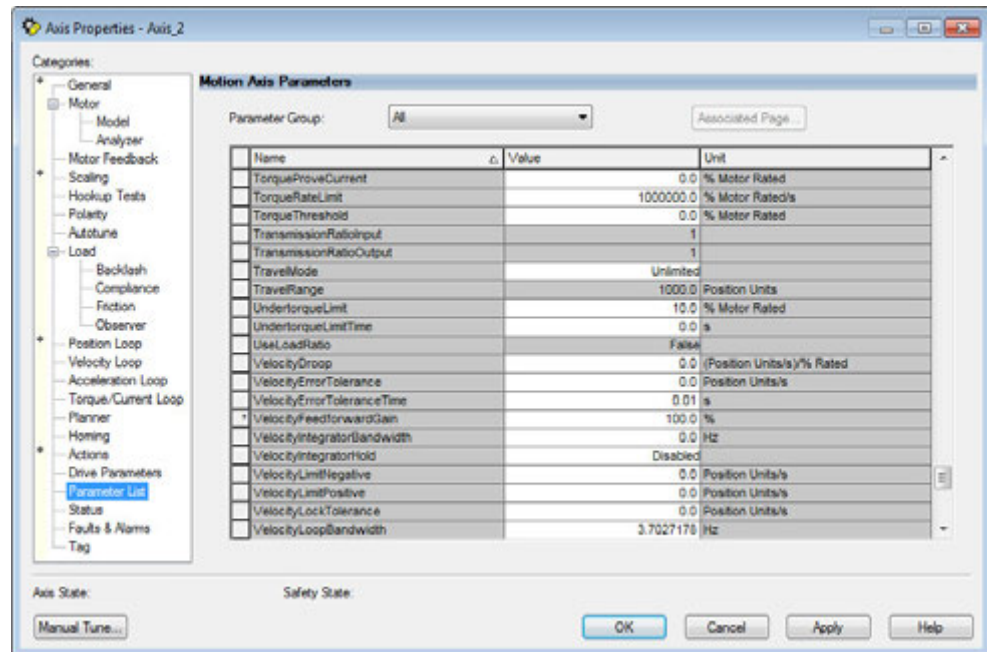
Velocity Droop Attribute

ID	Access	Attribute	Conditional Implementation
464/321	SSV	Velocity Droop	Velocity Units / Sec / % Rated

Velocity Droop Configuration

Follow these steps to configure the velocity droop attribute.

1. In the Controller Organizer, right-click an axis and choose Properties.
2. Select the Parameter List category and scroll to VelocityDroop.



3. Enter a value in the Velocity Droop attribute appropriate for your application.
4. Click OK.

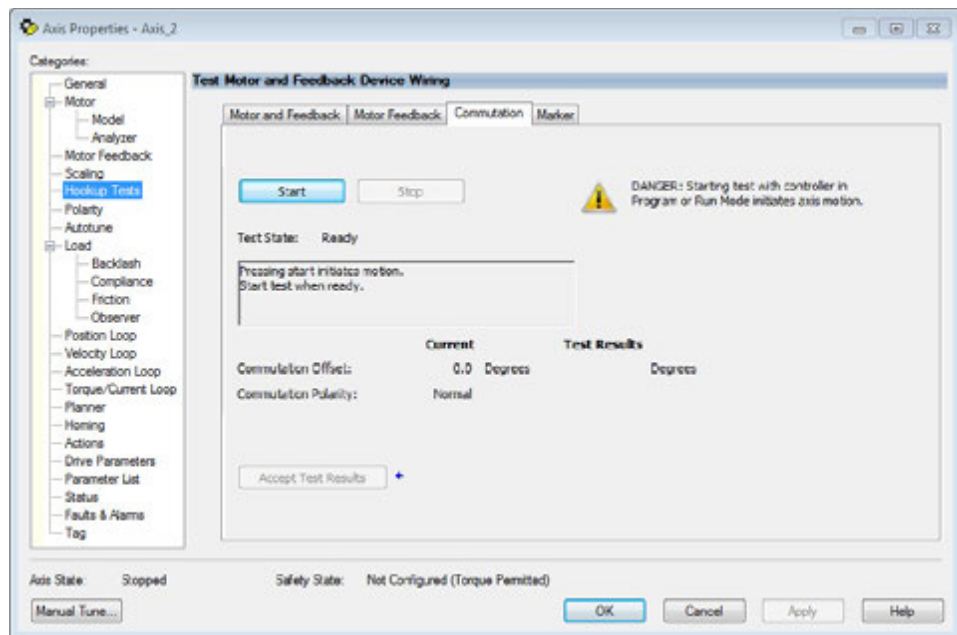
Commutation Test

The commutation test determines an unknown commutation offset and can also be used to determine the unknown polarity of the start-up commutation wiring. You can also use the commutation test to verify a known commutation offset and the polarity start-up commutation wiring.

IMPORTANT For Kinetix 5500 drives, this test applies to only third-party motors.

IMPORTANT When motors have an unknown commutation offset and are not listed in the Motion Database by catalog number, you cannot enable the axis.

Figure 137 - Hookup Tests - Commutation Tab



To run the commutation test, see [Test the Axes](#) on [page 148](#).

Adaptive Tuning

The adaptive tuning feature is an algorithm inside the Kinetix 5500 servo drives. The algorithm continuously monitors and, if necessary, adjusts or adapts various filter parameters and, in some cases, control-loop gains to compensate for unknown and changing load conditions while the drive is running. Its primary function is to:

- Automatically adjust torque-loop notch and low-pass filter parameters to suppress resonances
- Automatically adjust control-loop gains to avoid instability when detected

See Motion System Tuning Application Techniques, publication [MOTION-AT005](#), for more information on the AdaptiveTuningConfiguration attribute.

Numerics

2090-CSBM1DF 16, 88
2090-CSBM1DG 16, 88
2198-CAPMOD-1300 29
2198-DBRxx-F 16
2198-DBxx-F 16
2198-H2DCK 15, 22, 70, 92, 103
2198-KITCON-DSL 15, 22, 90
24V input power connector
 evaluation 37
 pinouts 64
 wiring 84

A

about this publication 11
absolute position feature 71
AC line filters
 2198-DBRxx-F 16
 2198-DBxx-F 16
 noise reduction 46
actions category 141
adaptive tuning 262
additional resources 12
Add-on Profile 93, 114
alarm 161
application requirements 178
applying power 143
associated axes tab 124
audience for this manual 11
axis properties 129, 130, 138
axis unstable 159

B

basic volts/hertz 132, 229
BC connector
 pinouts 66
 wiring 89, 94
Beldon 94
block diagrams
 capacitor module 206
 power 205
bonding
 EMI (electromagnetic interference) 41
 examples 42
 high frequency energy 43
 subpanels 43
brake relay 68
Bulletin
 MPAI electric cylinders 22
 MPAR electric cylinders 22
 MPAS linear stages 22
bus
 configuration 127
 regulator 127

bus-sharing

 group 127
 group example 145
 groups 144

C

cables

 catalog numbers 88, 94, 100
 categories 45
 Ethernet cable length 106
 induction motors 94
 shield clamp 91, 98, 102

calculate model

245

capacitor module

 catalog number 29
 description 15
 interconnect diagram 195
 status indicator 159
 support 53
 wiring 104

catalog numbers

 capacitor module 29
 motor cables 88, 94, 100
 servo drives
 hardwired 29
 integrated 29
 shared-bus connection system 29

category 3

 requirements 170, 178
 stop category definitions 170, 179

CE

compliance 30

certification

 application requirements 178
 PL and SIL 170, 179
 TÜV Rheinland 169, 177
 user responsibilities 170, 178
 website 12, 169, 177

circuit breaker selection

34

clamp

91, 98, 102

commutation offset

149, 262

CompactLogix

Ethernet connections 106

compatibility

motor feedback 138

configuring

- basic volts/hertz 132
- controller 115
- fan/pump volts/hertz 136
- feedback-only axis 125, 129
- flux up 241
- frequency control category 132, 134, 136
- general category 129, 130
- hardwired 118
- home screen 108
- hookup test 148
- induction motor tuning 153
- induction-motor frequency-control axis 130
- integrated safety 120
- IP address 113
- Logix 5000 communication 209
- master feedback 129
- menu screens 109
- module properties 119, 120, 122, 124, 126
 - inhibit module 210
- motion group 128
- motor
 - category 242
 - test 148
- motor category 131
- motor feedback 138
- motor>analyzer category 135
- network parameters 113
- parameter list category 133, 134, 137
- power tab
 - bus-sharing group example 145
 - bus-sharing groups 144
- sensorless vector 134
- servo motor axis
 - actions category 141
 - delay times 142
 - general category 138
 - load category 140
 - motor category 139
 - parameter list category 142
 - scaling category 140
- setup screens 110
- SLAT 253
- SPM motor closed-loop axis properties 138
- startup sequence 112
- torque proving 258
- velocity droop 261

connecting

- CompactLogix 106
- ControlLogix 106
- converter kit shield clamp 102
- Ethernet cables 106
- motor shield clamp 91, 98

connector kit

- 2198-H2DCK 92
- 2198-KITCON-DSL 90

connector locations

- servo drives 62

control power

- input specifications 70
- pinouts 64
- system calculations 224
- wiring 84

ControlFLASH

- firmware upgrade 207
- troubleshooting 214

controller

- and drive behavior 161
- CompactLogix 115
- configure 115
- ControlLogix 115
- properties
 - date/time tab 117
 - enable time synchronization 117

ControlLogix

- Ethernet connections 106

conventions used in this manual 12**converter kit**

- 2198-H2DCK 92
- cable lengths, max 88, 96
- cable preparation
 - motor feedback 101
 - motor power/brake 96
- description 15
- Kinetix 5500 AOP 93

CP connector

- pinouts 64
- wiring 84

current limiting 232**current regulator loop 242****D****date/time tab 117****DC bus connector**

- pinouts 64

delay times 142**digital inputs 67**

- pinouts 65
- wiring 87

disable 161**display 108****download program 142****drilling hole patterns 53****drive replacement**

- integrated safety 183

dynamic motor test 246**E****earth ground 80****EMC**

- motor ground termination 91

EMI (electromagnetic interference)

- bonding 41

enable time synchronization 117**enclosure**

- power dissipation 40
- requirements 32
- sizing 39

encoder support

- DSL 70

energy calculations 226

- erratic operation** 160
- Ethernet connector**
 - pinouts 65
- EtherNet/IP**
 - connecting cables 106
 - connections 68
 - PORT1 and PORT2 connectors 106
- external shunt resistor** 47, 48
 - pinouts 64
 - wiring 105
- F**
- fan/pump** 230
- fan/pump volts/hertz** 136
- fault**
 - code summary 157
 - codes 156
 - codes (link for fault codes) 12
 - status only 161
- feedback**
 - configurations 22
 - feedback-only axis 125
 - grounding technique 199
- feedback-only axis** 129
- firmware upgrade** 207
 - system requirements 208
 - verify upgrade 215
- flux up** 239
 - attributes 240
- frequency control category** 132, 134, 136
- fuse selection** 34
- G**
- general**
 - category 129, 130, 138
 - tab 119, 120
- grounded power configuration** 75
- grounding**
 - multiple subpanels 81
 - screws 79
- H**
- hardwired connections** 118
- hardwired STO** 26
- HF bonding** 41
- high frequency energy** 43
- Hiperface-to-DSL feedback converter kit** 92
- hole patterns** 53
- home screen**
 - soft menu 108
- hookup test** 148, 262
- I**
- I/O**
 - digital inputs specifications 67
- IEC 61508** 170, 179
- IEC 62061** 170, 179
- ignore** 161
- induction motor control** 94
 - configure flux up 241
 - control methods
 - basic volts/hertz 229
 - fan/pump 230
 - sensorless vector 231
 - flux up 239
 - attributes 240
 - frequency-control axis 130
 - motor
 - analyzer category 244
 - and inertia tests 244
 - data sheet 243
 - model category 243
 - multiple skip speed 238
 - open-loop frequency control 228, 232, 235
 - skip speed 237
 - SLAT 252
- inhibit module** 210
- input power wiring**
 - 24V control 84
 - 3-phase delta 76
 - determine input power 75
 - grounded power configuration 75
 - grounding screws 79
 - mains 85
 - remove grounding screws 79
 - ungrounded power configuration 77
- installing drive accessories**
 - AC line filters 46
 - external shunt resistor 47, 48
- installing your drive** 31
 - bonding examples 42
 - bonding subpanels 43
 - cable categories 45
 - circuit breakers 34
 - clearance requirements 40
 - fuse selection 34
 - HF bonding 41
 - passive shunts 38
 - system mounting requirements 32
 - transformer 34
- integrated safety**
 - connections 120
 - drive replacement 183
 - out-of-box state 182
 - protocol 186
 - STO state reset 179
- integrated STO** 27, 28
- interconnect diagrams**
 - 2198 drive with LDAT 202
 - 2198 drive with MPAR/MPAI 204
 - 2198 drive with MPAS 203
 - 2198 drive with MPL/MPM/MPF/MPS 200
 - 2198 drive with VPAR 201
 - 2198 drive with VPL/VPF/VPH/VPS 199
 - bus-sharing drives
 - shared AC 196
 - shared AC/DC 196
 - shared AC/DC hybrid 197

- shared DC 197
- capacitor module 195
- feedback grounding technique 199
- notes 193
- shunt resistor 198
- single-axis drive
 - single-phase 195
 - three-phase 194

IOD connector

- pinouts 65
- wiring 87

IP address 113

IPD connector

- pinouts 64
- wiring 85

ISO 13849-1 CAT 3

- requirements 170, 178
- stop category definitions 170, 179

K

Kinetix 5500 15

Kinetix VP electric cylinders 22

L

Lapp 94

LCD display 108

- messages 156

LDAT-Series linear thrusters 22

linear actuators

- interconnect diagram
 - LDAT 202
 - MPAR/MPAI 204
 - MPAS 203

link

- link/activity status indicator 158
- speed status indicator 158

load category 140

load observer 150

Logix 5000 communication 209

Logix Designer 113

Logix Designer application 115

M

mains input power connector

- pinouts 64
- wiring 85

major fault 161

master feedback 129

menu screens 109

MF connector

- pinouts 66
- wiring 90, 100

minor fault 161

module definition 119, 121

module properties

- associated axes tab 124
- general tab 119, 120
- module definition 119, 121
- new tag 124
- power tab 126
- safety tab 122

module status connector

- pinouts 63

module status indicator 158

Motion Analyzer website 12

motion direct commands

- STO bypas 186
- warning messages 187

motion group 128

motor

- analyzer category 135, 244
- category 131
- data sheet 243
- feedback compatibility 138
- model category 243
- motor and inertia tests 244
- overload retention 256
- thermal models 248

motors

- accel/decel problems 159
- brake connector
 - pinouts 66
 - wiring 89, 94
- cable catalog numbers 88, 94, 100
- cable length 30, 32, 88, 96
- category 139
- feedback connector
 - pinouts 66
 - wiring 90, 100
- ground termination 91
- induction 94
- interconnect diagram
 - MPL/MPM/MPF/MPS 200
 - VPL/VPF/VPH/VPS 199
- overheating 160
- power connector
 - pinouts 66
 - wiring 88, 94
- shield clamp wiring 91, 98, 102
- testing 148
- tuning 148
- velocity 160

mounting your capacitor module

- mounting order 50

mounting your drive

- attaching to the panel 60
- drilling hole patterns 53
- mounting order 50
- shared-bus connection system 51
- single-axis 52
- zero-stack tab and cutout 50

MP connector

- pinouts 66
- wiring 88, 94

MPAI electric cylinders 22

MPAR electric cylinders 22

MPAS linear stages 22

MS connector
 pinouts 63
multiple skip speed 238

N

navigation buttons 108
network
 parameters 113
 status indicator 158

new tag
 data type 124

noise
 abnormal 160
 feedback 160
 reduction 46

O

open-loop frequency control 228
out-of-box state 182

P

panel requirements 32
parameter list category 133, 134, 137, 142
passive shunt
 use cases 38
PFH definition 173, 181
pinouts
 24V input power connector 64
 DC bus connector 64
 digital inputs connector 65
 Ethernet connector 65
 mains input power connector 64
 module status connector 63
 motor brake connector 66
 motor feedback connector 66
 motor power connector 66
 safe torque-off 173
 shunt connector 64
planning your installation 31
power dissipation 40
power tab
 bus configuration 127
 bus regulator 127
 bus-sharing
 group 127
 group example 145
 groups 144
 power structure 126
power up 143
product selection website 12
publications, related 12

R

rated slip speed 245
regenerative energy 226
related publications 12

remove grounding screws 79
remove/replace drive
 remove drive 167
 remove power 166
 replace drive 167
 startup and configure 168
routing power and signal wiring 74

S

SAB 94
safe torque-off 174
 bypass wiring 175
 cascaded wiring 176
 configurations
 hardwired 26
 integrated 27, 28
 operation 171, 179
 PFH 173, 181
 pinouts 173
 specifications 72, 176, 192
safety
 tab 122
scaling category 140
sensorless vector 134, 231
setup screens 110
shared AC
 configurations 218
 interconnect diagram 196
shared AC/DC
 configurations 220
 interconnect diagram 196
 power sharing example 224
shared AC/DC hybrid
 configurations 221
 interconnect diagram 197
 power sharing example 223
shared DC
 configurations 218
 interconnect diagram 197
 power sharing example 222
shared-bus
 configurations 217
 connection system 51
 catalog numbers 29
 guidelines 217
shield clamp 91, 98, 102
shunt connector
 pinouts 64
 wiring 105
shunt resistor
 interconnect diagram 198
shunts
 passive 38
shutdown 161
sizing
 control power 224
 energy calculations 226
 power sharing examples
 shared AC/DC 224
 shared AC/DC hybrid 223

- shared DC 222
- shared-bus configurations 217
 - shared AC 218
 - shared AC/DC 220
 - shared AC/DC hybrid 221
 - shared DC 218
- shared-bus guidelines 217
- skip speed** 237
- SLAT** 250
 - attributes 252
 - configuring 253
- slip test messaging** 247
- soft menu**
 - home screen 108
- software**
 - Logix Designer application 115
- specifications**
 - brake relay 68
 - control power input 70
 - digital inputs 67
 - EtherNet/IP connections 68
 - motor feedback
 - absolute position 71
 - Stegmann DSL 70
 - safe torque-off 72, 176, 192
- speed limited adjustable torque** 250
- SPM motor closed-loop axis properties** 138
- stability control** 235
- startup sequence** 112
- static motor test** 245
- status indicators**
 - capacitor module 159
 - link speed status 158
 - link/activity status 158
 - module status 158
 - network status 158
- STO**
 - bypass 186
 - connector pinouts 173
 - connector wiring 174
 - state reset 179
- stop**
 - drive 161
 - planner 161
- Studio 5000 Logix Designer** 113
- system**
 - block diagrams
 - capacitor module 206
 - power 205
 - components 15
 - ground 80
 - mounting requirements 32
 - overview
 - EtherNet/IP 23, 24, 25
 - shared AC 18
 - shared AC/DC 19
 - shared AC/DC hybrid 21
 - shared DC 20
 - standalone 17

T

- testing axes**
 - hookup test 148
- time synchronization** 117
- torque proving** 256
 - attributes 256
 - configuring 258
- training** 11
- transformer sizing** 34
- troubleshooting**
 - alarm 161
 - capacitor module status 159
 - ControlFLASH 214
 - controller/drive fault behavior 161
 - disable 161
 - fault
 - code summary 157
 - codes 12, 156
 - status only 161
 - general system problems 159
 - abnormal noise 160
 - axis unstable 159
 - erratic operation 160
 - feedback noise 160
 - motor accel/decel 159
 - motor overheating 160
 - motor velocity 160
 - no rotation 160
 - ignore 161
 - LCD display messages 156
 - link speed status indicator 158
 - link/activity status indicator 158
 - major fault 161
 - minor fault 161
 - module status indicator 158
 - network status indicator 158
 - safety precautions 155
 - shutdown 161
 - status indicators 158
 - stop
 - drive 161
 - planner 161
- tuning**
 - induction motor 153
 - PM motor 150
- tuning axes**
 - load observer 150
- typical installation**
 - EtherNet/IP 23, 24, 25
 - shared AC 18
 - shared AC/DC 19
 - shared AC/DC hybrid 21
 - shared DC 20
 - standalone 17

U

- ungrounded power configuration** 77
- use cases**
 - passive shunt 38
- user responsibilities** 178

V

- velocity droop** 260
 - attribute 260
 - configure 261
- verify upgrade** 215
- voltage drop**
 - 24V input power 37

W

- website**
 - certifications 12, 169, 177
 - Motion Analyzer 12
 - product selection 12
- wiring**
 - BC connector 89, 94
 - capacitor module 104
 - converter kit shield clamp 102
 - CP connector 84
 - earth ground 80
 - Ethernet cables 106
 - external shunt resistor 105
 - grounded power configuration 75
 - grounding screws 79
 - guidelines 83
 - input power type 75
 - IOD connector 87
 - IPD connector 85
 - MF connector 90, 100
 - motor cable shield clamp 91, 98
 - MP connector 88, 94
 - RC connector 105
 - remove grounding screws 79
 - requirements 74, 82
 - routing power and signal wiring 74
 - safe torque-off bypass 175
 - safe torque-off cascaded 176
 - STO connector 174
 - ungrounded power configuration 77

Z

- zero-stack tab and cutout** 50

Notes:

Rockwell Automation Support

Use the following resources to access support information.

Technical Support Center	Knowledgebase Articles, How-to Videos, FAQs, Chat, User Forums, and Product Notification Updates.	https://rockwellautomation.custhelp.com/
Local Technical Support Phone Numbers	Locate the phone number for your country.	http://www.rockwellautomation.com/global/support/get-support-now.page
Direct Dial Codes	Find the Direct Dial Code for your product. Use the code to route your call directly to a technical support engineer.	http://www.rockwellautomation.com/global/support/direct-dial.page
Literature Library	Installation Instructions, Manuals, Brochures, and Technical Data.	http://www.rockwellautomation.com/global/literature-library/overview.page
Product Compatibility and Download Center (PCDC)	Get help determining how products interact, check features and capabilities, and find associated firmware.	http://www.rockwellautomation.com/global/support/pcdc.page

Documentation Feedback

Your comments will help us serve your documentation needs better. If you have any suggestions on how to improve this document, complete the How Are We Doing? form at http://literature.rockwellautomation.com/idc/groups/literature/documents/du/ra-du002_-en-e.pdf.



At the end of its life, this equipment should be collected separately from any unsorted municipal waste.

Rockwell Automation maintains current product environmental information on its website at <http://www.rockwellautomation.com/rockwellautomation/about-us/sustainability-ethics/product-environmental-compliance.page>.

Allen-Bradley, CompactGuardLogix, CompactLogix, ControlFLASH, ControlLogix, GuardLogix, Kinetix, Logix 5000, PanelView Plus, POINT Guard I/O, POINT I/O, Rockwell Automation, Rockwell Software, RSLinx, Stratix, Studio 5000, and Studio 5000 Logix Designer are trademarks of Rockwell Automation, Inc.

EtherNet/IP, CIP Safety, and CIP Sync are trademarks of ODVA, Inc.

Trademarks not belonging to Rockwell Automation are property of their respective companies.

Rockwell Otomasyon Ticaret A.Ş., Kar Plaza İş Merkezi E Blok Kat:6 34752 İçerenköy, İstanbul, Tel: +90 (216) 5698400

www.rockwellautomation.com

Power, Control and Information Solutions Headquarters

Americas: Rockwell Automation, 1201 South Second Street, Milwaukee, WI 53204-2496 USA, Tel: (1) 414.382.2000, Fax: (1) 414.382.4444

Europe/Middle East/Africa: Rockwell Automation NV, Pegasus Park, De Kleetlaan 12a, 1831 Diegem, Belgium, Tel: (32) 2 663 0600, Fax: (32) 2 663 0640

Asia Pacific: Rockwell Automation, Level 14, Core F, Cyberport 3, 100 Cyberport Road, Hong Kong, Tel: (852) 2887 4788, Fax: (852) 2508 1846

Publication 2198-UM001J-EN-P - November 2019

Supersedes Publication 2198-UM001I-EN-P - May 2019

Copyright © 2019 Rockwell Automation, Inc. All rights reserved. Printed in the U.S.A.